



EZ Way, Inc.

"Your Total Safe Patient Handling Partner"

Comfortline/Ecoline

Height Adjustable & Fixed Height Bathtubs

Operator's Manual

Version 2023-05-25

Always study this manual carefully before you attempt to operate your bathing system. The operator/user must always have access to the operating manual.

This bathing system is intended for professional use only where the patient will be under supervision of trained personnel.

Operating instructions and recommended maintenance procedures are explained in the following pages.

If you have any questions regarding the operation or maintenance of your bathing system and cannot find the answer in this manual, please contact us.

The system is designed for years of trouble-free operation, with proper use and maintenance.

Bathtub and shower water must be run at least every three days.



Registered at Medical Products Agency, Sweden as an MDR Class I product according to MDR 2017/745.

TR reserves the right to make design changes and/or improvements without notice.

EZ Way, Inc.
PO Box 89
Clarinda, IA 51632
1-800-627-8940
www.ezlifts.com

⚠ WARNING:

Mandatory to read the manual before using the bathtub

Table of Contents

Manufacturer	3	System Components	31
Introduction	4	Lifting Columns	31
Unpacking	5	Thermostatic Mixer	31
Installation Instructions	6	Labels and Symbols	32
Height Adjustable Bathtub, Comfortline	8	Routine Maintenance	34
Fixed Height Bathtub, Ecoline	9	Before Every Use	34
Assembly of the Cleaning System	10	Daily Maintenance	34
Initialization/Calibration	12	Monthly Maintenance	35
Intended Use	13	Annual Maintenance	36
In Case Of An Accident	15	Replacement of Parts	37
Features and Controls	16	Every 3 Years:	37
Product Description	17	Every 5 Years:	37
Technical Specification	19	Every 12 years	37
Comfortline, Height Adjustable Bathtub		Cleaning Instructions	38
Supplied with Grotherm 800			
Thermostatic Mixer	19		
Ecoline, Fixed Height Bathtub Supplied			
with Grotherm 800 Thermostatic Mixer	20		
User Instructions	21		
How to Fill the Tub	21		
How to Enter and Step Out of the Bath	22		
Showering	24		
Cleaning System (Option)	25		
Air Spa (Option)	26		
LED Light (Option)	28		
Music System (Option)	29		
Autofill (Option)	30		

Manufacturer:



TR Equipment AB
Rundelgatan 2
SE-573 35 Tranås
Sweden

www.trequipment.com
info@trequipment.se
Phone: +46 (0)140 38 50 60

USA Distributor:



EZ Way, Inc.

EZ Way Inc.
P.O. Box 89
Clarinda, IA 51632
(800) 627-8940
Fax (712)542-1899
www.ezlifts.com

Introduction

Dear Customer,

Thank you for choosing one of our quality products. We hope you enjoy the Comfortline height adjustable bathtub or the Ecoline fixed height bathtub.

This manual, in conjunction with staff training, shall ensure that the operator/user is always using and/or operating the tub correctly.

New staff must be trained by qualified and experienced staff.

TR Equipment AB requires that each user has read and understands the entire operating manual and that they can apply the instructions as specified. This applies to anyone who was not present at the in-service.

This instruction manual should generally be kept easily accessible for every user. Copying the whole manual is encouraged since its sole purpose is to improve the standard of training and safety.

Please order another copy from us if the instruction manual is lost or unusable, or if it has become illegible over time.

If you need further information, do not hesitate to contact TR Equipment AB or EZ Way, Inc.

WARNING:

Mandatory to read the manual before using the bathtub.

WARNING:

Make sure you have read, understood, and applied the information on the following pages before using the bathtubs.

Unpacking

- When you receive a bathtub from us it's placed on a pallet surrounded by a cardboard crate. **If the cardboard box is wrapped in plastic carefully cut and remove the plastic.**



- Start unpacking the bathtub by removing the lower carton staples with a pliers. **DO NOT** use any sharp tools that may scratch the bathtub.



- **Carefully lift off the cardboard frame from the pallet. When lifted, do so briefly and use at least two people.**
- **Carefully lift off the bathtub from the pallet. DO NOT push or pull the bathtub!**

! WARNING:

**Never push or pull the bathtub from the pallet! Always lift the bathtub from the pallet and into position!
If you push or pull the bathtub it will damage lifting columns/legs.**

Installation Instructions

The Comfortline bathtub and Ecoline are delivered fully assembled, ready to be connected to water and power supply at the customer's premises and must be installed according to local guidelines and regulations.

The tub must be cleaned before the first use!

Assembly process:

Do not drag nor push the bathtub across the floor as this will damage the lifting columns or legs. When lifted, do so briefly and **use at least two people**.

1. Once the bathtub is in its final position, once again lift the bathtub briefly at each end at the same time to release any tensions that might have been created between the lifting columns during installation
2. The adjustable feet are used to level and adjust the bathtub. Please note that the head end of the bathtub must be approximately 2cm (3/4" inch) higher than the foot end to allow the water to drain more easily.
3. Flush the pipes at the premises thoroughly before connecting the Comfortline bathtub to protect the tub and fittings from dirt.
4. A certified electrician shall connect the mains cord to a wall mounted mains connection (splash proof) and in accordance to local regulations.
5. Raise the tub to its highest position and use the flexible drain hose to establish connection between the floor gully and the drainage outlet underneath the tub.
6. Carry out a functional test (Height adjustable bathtub): Test the UP/DOWN function by pushing each button the hand control. An initialization shall be performed before the first use. See table of contents for separate Initialization/calibration instructions.
7. Carry out a functional test of the thermostatic mixer: The GROTHERM 800 thermostatic mixer is pre-set to a Maximum outlet temperature of 109.4 F (43° Celsius) at ideal installation conditions at the factory. Make sure that maximum outlet temperature is 109.4 F (43° Celsius) . If the maximum outlet temperature is higher an adjustment needs to be done according to the instructions from the manufacturer of the thermostatic mixer (separate manual supplied at delivery).
ALWAYS physically check the water temperature by hand before and during bathing to ensure correct function of the thermostatic mixer

Installation Instructions

8. Carry out a Scalding safety function test: Start filling the tub with water, shut OFF the cold-water supply to the thermostatic mixer. Within 2 seconds the thermostatic mixer shall be shut OFF.
If the thermostatic mixer continues to supply only HOT water the thermostatic mixer needs to be replaced. DO NOT use the tub until the thermostatic mixer has been replaced.
9. Make sure the diverter mechanism allows you to switch between the tap and shower function.
10. Check that cold/hot water connections and make sure the drain hose is intact.
11. Make sure that the mains cord is free from damage and properly connected.

On-site preparations:

1. 1/2" Inch (hot and cold) water connections.
2. Check valves and shut off valves according to local regulations.
3. Incoming water pressure 1-5 bar.
4. Mains connection 230V/50Hz or 110V/60Hz depending on model.
5. Fuse 10A

The bathtub may only be connected to the power supply via a cord that is connected to a GFCI (Ground Fault Circuit Interrupter) including an easily accessible switch near the bathtub.

Installation of the thermostatic mixer:

1. Flush the pipes at the premises.
2. Attach connections (hot and cold) to the water supply.
3. The hot water supply needs to be on the left side and the cold-water supply must be on the right side. Check the connections for any leaks and make sure the fittings are working properly.

WARNING:

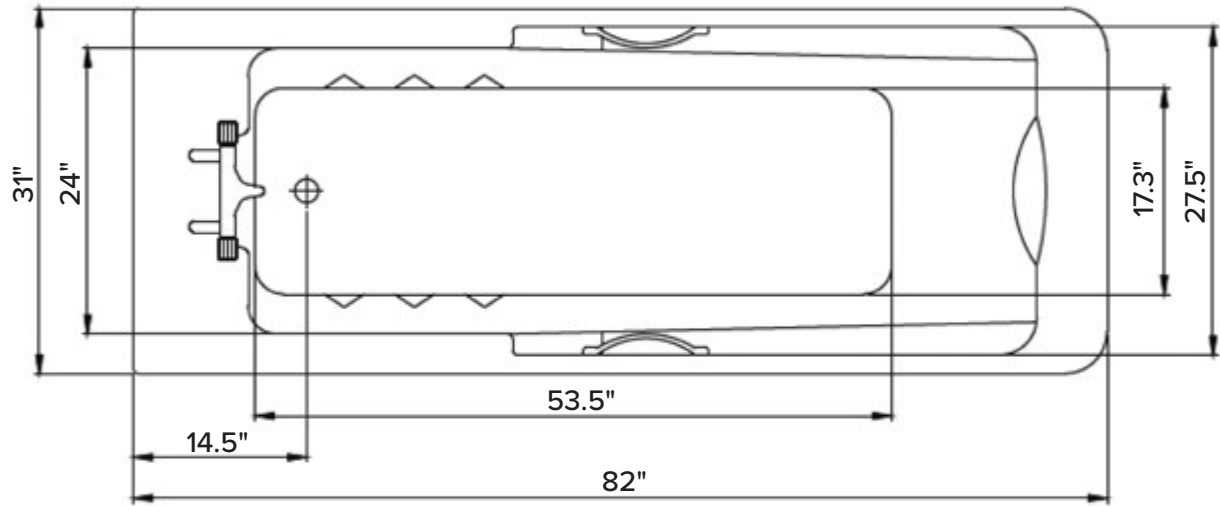
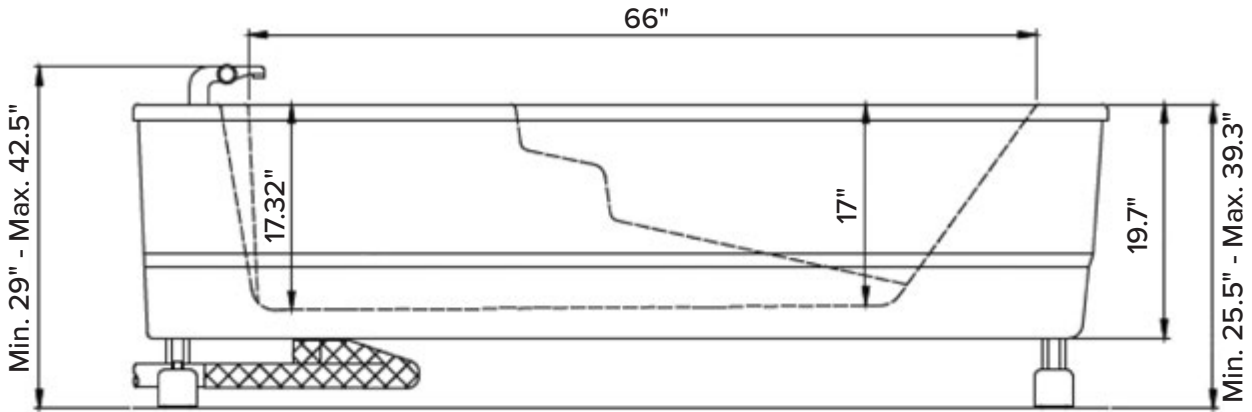
The bathtub may only be used after it has been successfully and correctly installed.

WARNING:

All electric conduit, fitting and wiring to bath supplied must be installed by a certified electrician in accordance with local regulations. Main switch, main fuse and earth circuit breaker are NOT included at delivery and must be supplied by others.

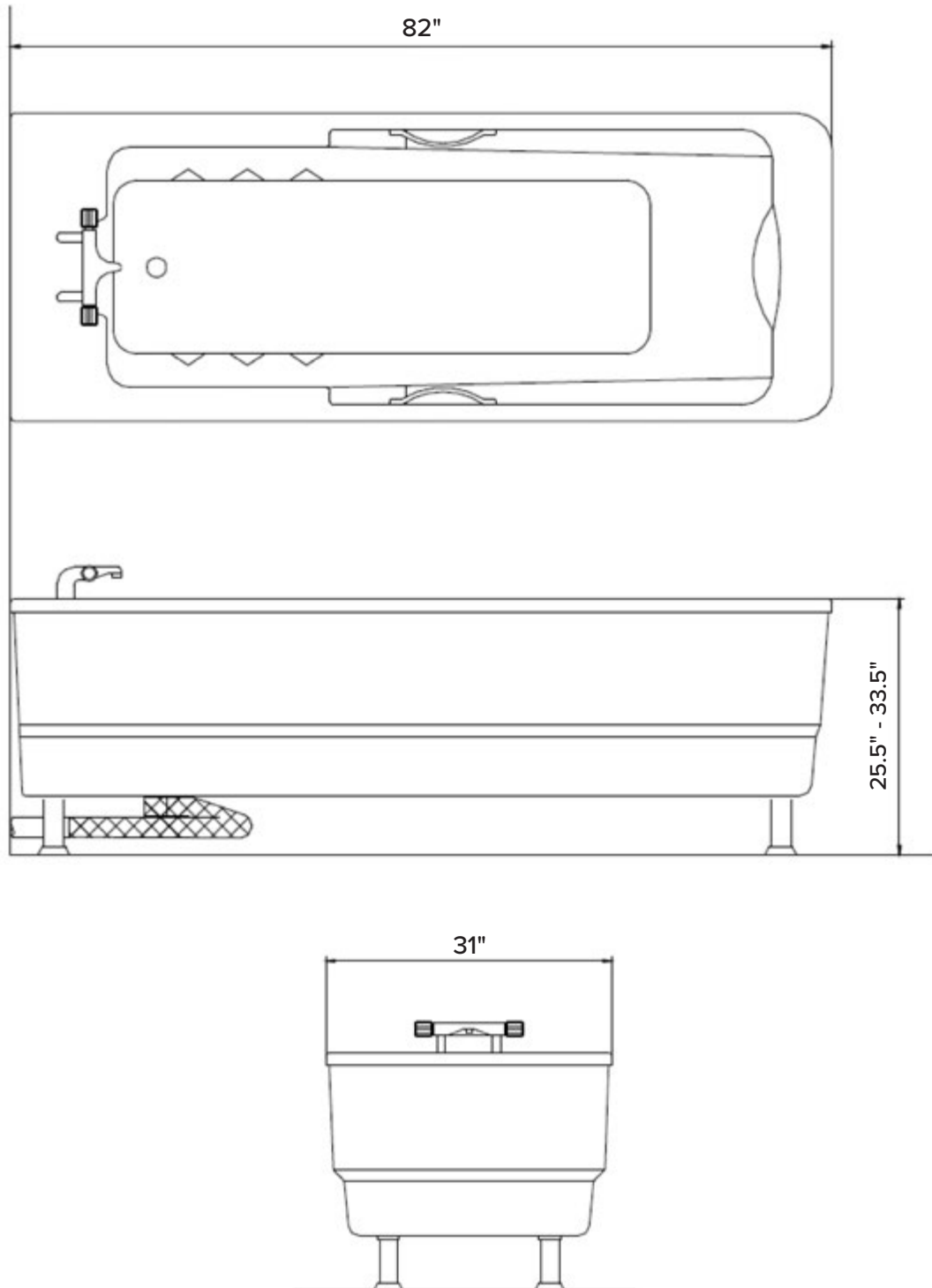
Installation Instructions

Height Adjustable Bathtub, Comfortline



Installation Instructions

Fixed Height Bathtub, Ecoline



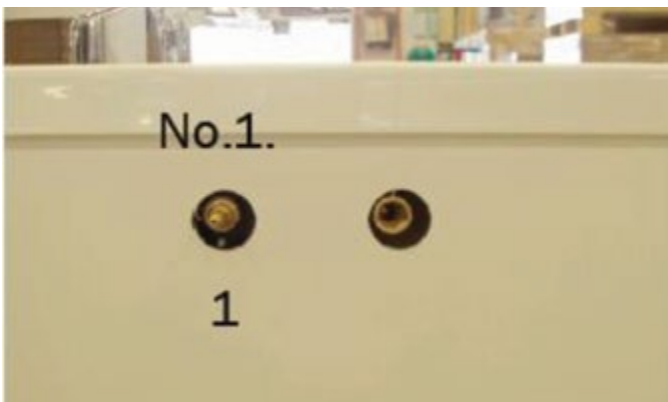
Installation Instructions

Assembly of the Cleaning System



Valve:

- Assemble the valve stem (1) by screwing it into the left female threaded coupling No.1 on the bath tub.
- Screw on the protective sleeve (2) onto the valve stem (1).
- Push on the chromed ring (3) over the protective sleeve (2).
- Finally, screw on the key (4) onto the completed valve.



Installation Instructions

Assembly of the Cleaning System

The cleaning hand shower holder:

- Assemble the 90° elbow (1) by screwing it into the right female threaded coupling No.2 on the bathtub. Seal with sealing tape.
- Mount the hand shower holder (2) over the 90° elbow (1) and fasten it with the supplied screw.
- Finally, screw the pipe interrupter (3) onto the 90° elbow (1).



Initialization/Calibration



An initialization/Calibration should be carried out on the height adjustable Comfortline:

- The very first time the bath is started up
- After power failure
- If the power has been disconnected from the mains supply.

Reason:

The initialization/calibration function (continuous movement monitoring) is designed with the safety and protection of the equipment in mind. The control switches OFF automatically if one of the lifting columns is working faster than the other one.

Following calibration instruction is for bathtubs supplied from July 1st 2013:

- Press the UP and DOWN button simultaneously on the hand control to calibrate the lifting columns.
- After approximately 10-12 seconds you will hear a “click sound” from the control box and after approximately 5 seconds more, you will hear an audible tone from the control box.
- Keep pressing the UP and DOWN button and the lifting columns will start to move to the highest position. At the highest position you will hear an audible tone and the system is ready to be used.

NOTE:

If the tub is not at the lowest position when you start to calibrate, the lifting columns will move to the lowest position first and then move to the highest position. Keep both the UP and DOWN button pressed during the calibration.

Intended Use

- The Comfortline and Ecoline are intended for bathing and showering patients.
- The Comfortline and Ecoline are only intended to be used for short term use <60min when in contact with breached or compromised skin.
- The Comfortline and Ecoline are NOT intended to be used with patients that exceed a weight of 330 lbs. (150kg.)
- The Comfortline and Ecoline are intended to be used indoors in all types of facilities and private homes, including hygiene areas.
- The patient is typically a person who is unable to take care of their own personal hygiene.
- The user is any adult person who is capable of reading and understands the operating manual and is qualified to care for dependent persons / patients.
- Before using the Comfortline or Ecoline, the user must read and understand the operating manual.

WARNING:

Mandatory to read the manual before using the bathtub.

WARNING:

Make sure you have read, understood, and applied the information on the following pages before using the bathtubs.

Safety Instructions

WARNING:

Mandatory to read the manual before using the bathtub.

WARNING:

Patient shall never be left unattended.

WARNING:

Always check the water temperature by hand before using the shower on the patient to prevent patients from being scalded or shocked by cold/hot water.

WARNING:

NEVER enter or step out of the height adjustable Comfortline bathtub when the bathtub is in a raised position.

WARNING:

The equipment shall not be used in any way that varies from the safety precautions and operating procedures described in this manual. The equipment shall not be operated by anyone until the user has read and understands the Operating Manual.

- The height adjustable, Comfortline or fixed height Ecoline bathtub may only be operated by qualified and trained staff.
- New colleagues must be trained by qualified and experienced staff.
- Never leave the patient unattended.
- All safety and operating instructions must be read, understood, adhered to and applied when using the bath.
- Only step into the height adjustable Comfortline bathtub when the bathtub is in its lowest position.
- Only step out of the height adjustable Comfortline bathtub when the bathtub is in its lowest position.
- The bathtub may only be installed and connected according to TR Equipment AB Installation instructions.
- All electrical installations must be performed by a certified electrical installation company and according to local regulations.
- All plumbing installation must be performed by a certified plumbing installation company and according to local regulations.
- The bathtub may only be connected to the power supply via a cord that is connected to a GFCI (Ground Fault Circuit Interrupter) including an easily accessible switch near the bathtub.
- The Cold and Hot water supply and Electrical wiring is the responsibility of the buyer. All electrical wiring and plumbing must be performed by a certified electrical- or plumbing installation company.

Safety Instructions

In Case Of An Accident

Note:

In case of a serious incident when using the Comfortline or Ecoline, this should be reported to the manufacturer and to the local authorities where you are established.



TR Equipment AB
Rundelgatan 2
SE-573 35 Tranås
Sweden

www.trequipment.com
info@trequipment.se
Phone: +46 (0)140 38 50 60

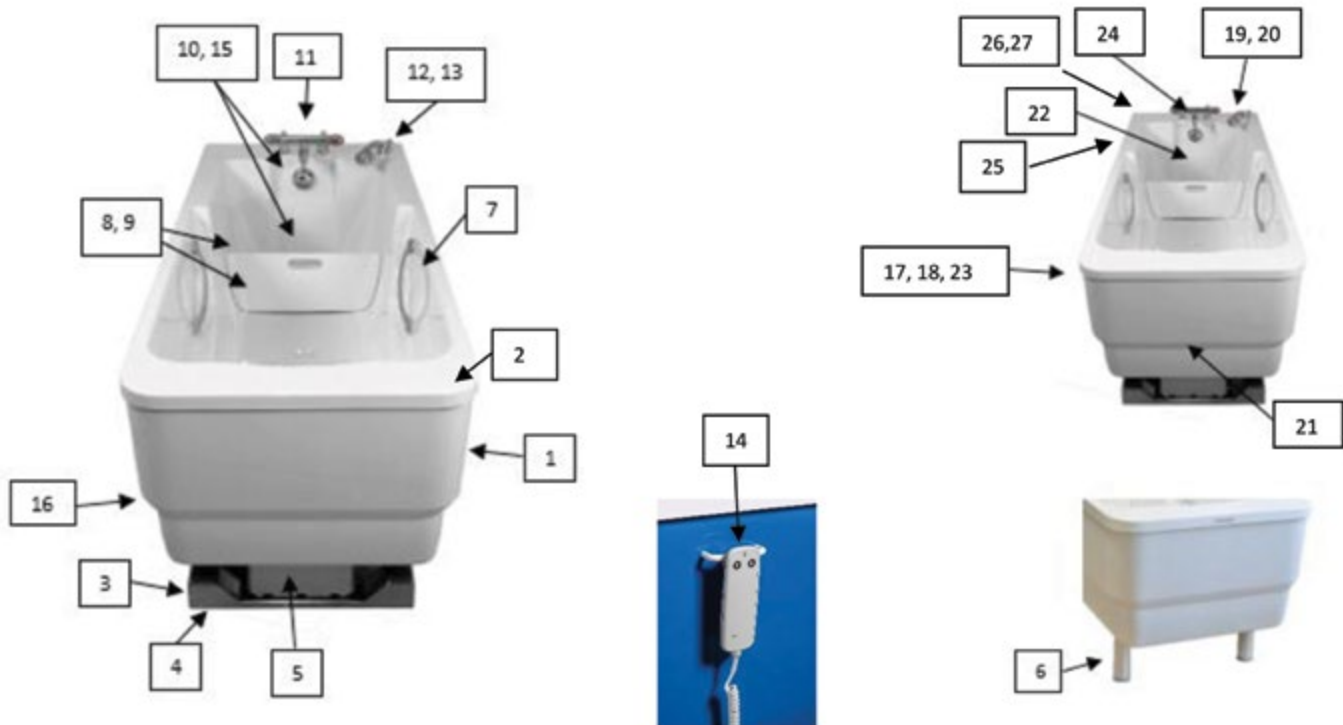


EZ Way, Inc.

EZ Way, Inc
PO Box 89
Clarinda, IA 51632

(800) 627-8940
www.ezlifts.com
sales@ezlifts.com

Features and Controls



1 Tub side cover

2 Tub

3 Legs

4 Adjustable feet

5 Lifting actuators

6 Ecoline, fixed height legs

7 Handles

8 Foot support

9 Foot support slots

10 Drain plug

11 Thermostatic mixer

12 Shower handle

13 Shower hose

14 Hand control, Comfortline

15 Overflow drainage, control to open and close drain plug

16 Drainage hose

Standard Position For Options

17 Music system Control pad*

18 Music system AUX*

19 Autofill control pad**

20 Air spa control pad*

21 Air spa blower* (behind side cover)

22 Led light**

23 Led light control button*

24 Up/Down control pad *

25 Cleaning system

26 Yellow cleaning hose

27 Shower handle for cleaning hose

*Available for Comfortline height adjustable bathtub only

**Available for both height adjustable and Ecoline fixed height bathtub.

Product Description

The Comfortline can be delivered as a height adjustable bathtub that can be raised and lowered to infinite positions within the height range, or as a fixed height bathtub with three optional fixed heights.

The Ecoline is a fixed height bathtub and can be delivered in three different heights.

The bathtub standard color is white.

The Comfortline and Ecoline are designed for bathrooms in nursing homes, clinics and hospitals and consists of:

- The tub, side cover and maintenance hatch are made of fiberglass reinforced polyester covering the whole supporting frame, lifting columns, legs, control box and internal sanitary installations.
- The 1/2 inch cold and hot water inlet hoses are located at the tap end. The maintenance hatch at the tap end can be removed for repair and maintenance work.
- The three-step adjustable foot support is pushed into the slots to accommodate the different lengths of patients and to avoid from sliding and provides secure support for their feet. The foot support can be removed, for example when using the 9650 mobile stretcher bath lift.
- Two built in handles offer additional support when getting in and out of the tub.
- Overflow protection and pop-up drain which opens and closes the drainage system by rotating the overflow valve.
- The thermostatic mixer is designed to regulate the water temperature to the bathtub filling spout and to the handheld shower. See separate operating manual for the thermostatic mixer (supplied at delivery) for further information.
- The shower handle with shower hose is to be used to shower the patient and to rinse the equipment after cleaning.

Comfortline, height adjustable bathtub

- The height adjustable Comfortline can be adjusted between 650-1000mm (26-40 inches).
- Two synchronized lifting columns with double controls for height adjustment.
- Adjustable feet if the floor should be uneven.
- The hand control with spiral cord is located on the hatch bracket and is used to raise and lower the tub.

Ecoline, fixed height bathtub

- The fixed height bathtub can be ordered in three different heights, 650mm (26 inches), 750mm (29 inches) and 850mm (33 inches).
- Adjustable legs if the floor should be uneven.

Product Description

Product Description

Comfortline, height adjustable incl. drainage and thermostatic mixer.

Version

230V/50Hz, 10A

Ecoline, fixed height

230V/50Hz, 10A (Options only)

Comfortline, Possible Configurations and Options

Ø40mm drainage	Ø50mm drainage	Customized drainages
Thermostatic mixer TMV2	Thermostatic mixer TMV2	Thermostatic mixer Antibactus
Without thermostatic mixer	110V/60Hz	Fixed height Ecoline
Air-Spa	Autofill	LED light
Music sound system	Cleaning	Customized color
Long hoses, power cord and drainage for reversed installation.	Optional thermostatic mixers: TMV2, TMV3, FMM Antibactus	Shepherds crook

Ecoline II, Possible Configurations and Options

Ø40mm drainage	Ø50mm drainage	Customized drainages
Autofill	LED light	Customized color

Technical life span

Technical life span 10 years if the bathtub is serviced and maintained according to instructions in this manual.

Possible Equipment Combinations

Comfortline height adjustable/Ecoline fixed height	9650 – Chair lift
Comfortline height adjustable/Ecoline fixed height	9650 - Stretcher lift
Comfortline height adjustable/Ecoline fixed height	9650 – Combi lift



Technical Specification

Comfortline, Height Adjustable Bathtub Supplied with Grotherm 800 Thermostatic Mixer

Comfortline, height adjustable bathtub supplied with Grotherm 800 thermostatic mixer

Input Voltage	1-Phase 230VAC/50Hz or 110VAC/60Hz,
10A	24V DC
Control voltage	24V DC
Service life Lifting columns	20.000 strokes / 10 years
Maximum load	Patient weight shall not exceed 150Kg
Water volume	180L / 48 gallons excl. patient
Outside length	2080mm / 82"
Outside with	780mm / 31"
Inside width (head end)	690mm / 27"
Inside width (foot end)	600mm / 24"
Inside width (tub body)	440mm / 17"
Overall weight	100kg / 220lbs
Adjustable height	From 650mm – 1000mm/ 26" – 40"
Access height	650mm / 26"
Clearance between floor and the bottom of the tub	150mm / 6"
Lift stroke	350mm / 14"
Lift speed	8mm/s / 0,5"/s
Lifting time (filled bathtub)	45 seconds (from lowest to highest position)
Lowering time (filled bathtub)	40 seconds (from highest to lowest position)
Lifting power per actuator	3000N / 300kg
Recommended water pressure	1-5 bar
Maximum static water pressure	5 bar
Flow at 3 bar, bath filling	20l/minute
Recommended hot water temperature supplied to mixer	60°C (Maximum 70°)
Maximum hot water temperature supplied from mixer	43°
Connection hoses hot and cold water	BSP ¾ female
Filling time up to overflow drainage.	10 minutes (at 5 bar pressure)
Emptying time	4 ½ minutes

Filling time Autofill (option):

To Autofill level 1 (at 5 bar pressure)	4 min, 30 seconds
From Autofill level 1 up to Autofill level 2 (at 5 bar pressure)	5min, 30 seconds

Transport and storage

Ambient temperature	-20°C - +70°C -4°F - +158°F
---------------------	--------------------------------

Technical Specification

Ecoline, Fixed Height Bathtub Supplied with Grotherm 800 Thermostatic Mixer

Ecoline, fixed height bathtub supplied with Grotherm 800 thermostatic mixer

Input Voltage, only if the tub is equipped with options	1-Phase 230VAC/50Hz or 110VAC/60Hz
Control voltage	24V DC
Maximum load	Patient weight shall not exceed 150Kg
Water volume	180L / 48 gallons excl. patient
Outside length	2080mm / 82"
Outside with	780mm / 31"
Inside width (head end)	690mm / 27"
Inside width (foot end)	600mm / 24"
Inside width (tub body)	440mm / 17"
Overall weight	100kg / 220lbs
Optional heights, access heights	650mm / 26", 750mm/29" or 850mm/34"
Clearance between floor and the bottom of the tub	150mm / 6"
Recommended water pressure	1-5 bar
Maximum static water pressure	5 bar
Flow at 3 bar, bath filling	20l/minute
Recommended hot water temperature supplied to mixer	60°C (Maximum 70°)
Maximum hot water temperature supplied from mixer	43°
Connection hoses hot and cold water	BSP ¾ female
Filling time up to overflow drainage.	10 minutes (at 5 bar pressure)
Emptying time	4 ½ minutes

Filling time Autofill (option):

To Autofill level 1 (at 5 bar pressure)	4 min, 30 seconds
From Autofill level 1 up to Autofill level 2 (at 5 bar pressure)	5min, 30 seconds

Transport and storage

Ambient temperature	-20°C - +70°C -4°F - +158°F
---------------------	--------------------------------

User Instructions

How to Fill the Tub

Fill the bathtub with water:

- Turn the overflow valve to close the drain plug.
- Start filling the tub with water by turning the OPEN and CLOSE knob on the thermostatic mixer.
- Adjust the outlet water temperature by turning the temperature knob on the thermostatic mixer. Maximum outlet temperature is 43°C.
- Fill the tub with water to required level and turn OFF the thermostatic mixer by turning the OPEN and CLOSE knob on the thermostatic mixer.
- Check the water temperature physically, by hand or with a thermometer.
- Empty the tub by turning the overflow valve counterclockwise to open the drain plug.

WARNING:

Always check the water temperature by hand before using the shower on the patient to prevent patients from being scalded or shocked by cold/hot water.

User Instructions

How to Enter and Step Out of the Bath

WARNING:

Patient shall never be left unattended.

WARNING:

Only enter and step out of the bath when the bath is in the lowest position.
NEVER enter or step out of the bath when it is in a raised position.

WARNING:

Always check the water temperature by hand or a bath thermometer before the patient gets into the bath. The thermostatic mixer is pre-set to approximately 109.4 F (43°C) under ideal conditions at the factory.

WARNING:

Patient shall never be left unattended.

WARNING:

Always check the water temperature by hand or a bath thermometer before the patient gets into the bath. The thermostatic mixer is pre-set to approximately 109.4 F (43°C) under ideal conditions at the factory.

WARNING:

Make sure that the bathtub is raised and lowered evenly, both at head end and foot end of the tub. The patient must not use the tub if it's not in level.

If the patient enters the bath themselves with assistance from caregiver:

- Lower the tub to the lowest position with the hand control allowing the patient to enter the bath with assistance.
- The built-in handles inside the tub provide the patient extra support.
- Place the hand control back onto the bracket on the maintenance hatch at the back of the tub.

If the patient is assisted into the bath with a lift system:

- The lifter must be positioned close to the side of the bathtub.
- The bathtub should be in a convenient working height and be adjusted by pressing the UP or DOWN button.
- Place the hand control back onto the bracket on the maintenance hatch at the back of the tub.

User Instructions

Foot Support

Foot support:

- The foot support can be placed in three different positions for best foot support.



⚠ WARNING:

If the patient is placed on a stretcher lift or on a combi lift with side parts during the bath the foot support must be removed from the tub before the lift is lowered into the water.

The foot support can be used and placed into required position when a chair lift is used.



User Instructions

Showering

Showering:

- The shower handle is used to shower the patient and to rinse equipment after cleaning.
- Hold the shower handle over the tub and pull the diverter knob on the thermostatic mixer to start the shower.

WARNING:

Always check the water temperature by hand before using the shower on the patient to prevent patients from being scalded or shocked by cold/hot water.

User Instructions

Cleaning System (Option)

Cleaning system (only available for Comfortline, height adjustable bathtub):

- The cleaning system is automatically mixed with cold water in a pre-set concentration of approximately 2% to minimize inhalation.
- Use only liquid, non-abrasive, non-scouring, commercially available detergents to clean the bathtub, controls and foot support.
- Apply detergent according to instructions from the detergent supplier.

Fittings:

- Plated as well as color coated surfaces can get damaged by acidic and abrasive detergent and scouring pads. We recommend clear water and a soft cloth.
- If the fittings are heavily soiled, clean with soapy water or vinegar and rinse with clear water and rub dry.

WARNING:

Never use the cleaning system on patients, **ONLY** on the equipment.

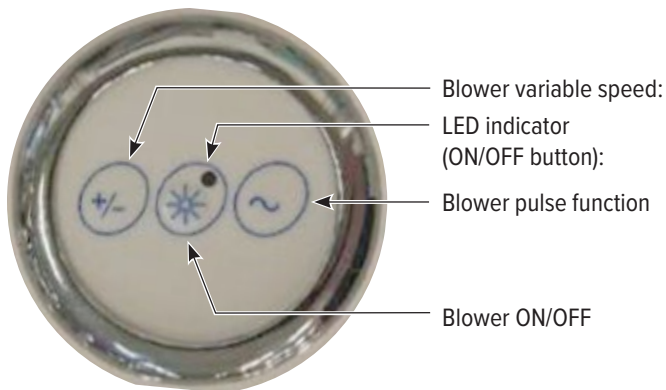
IMPORTANT:

The user/operator is responsible for selecting detergents and bath additives. Please read instructions in the manual from the detergent supplier and find out whether the product is suitable.

User Instructions

Air Spa (Option)

Control Panel



Air Spa (only available for Comfortline, height adjustable bathtub):

**Air Spa system – Genesis (Option)
From 02/23/2018 and forward.
Serial no: 1802-204609.**

NOTE:

The operating time is restricted for safety reasons. The Air spa system switches OFF automatically after 30 minutes. To start the Air Spa system again, press the ON/OFF button.



Blower ON/OFF:

Press the ON/OFF button once to start blower & timer. The blower will start at the highest intensity Level. Press the ON/OFF button again to turn the System OFF. 30 minutes after turning the system OFF the dry blowing function starts.



LED indicator (ON/OFF button):

Constant green light on the blower symbol Indicates that the blower is working. When the blower is turned off the LED light flashes until the dry blowing function starts.



Blower variable speed:

Press and hold to lower and increase the speed. Release the button when required speed is reached.



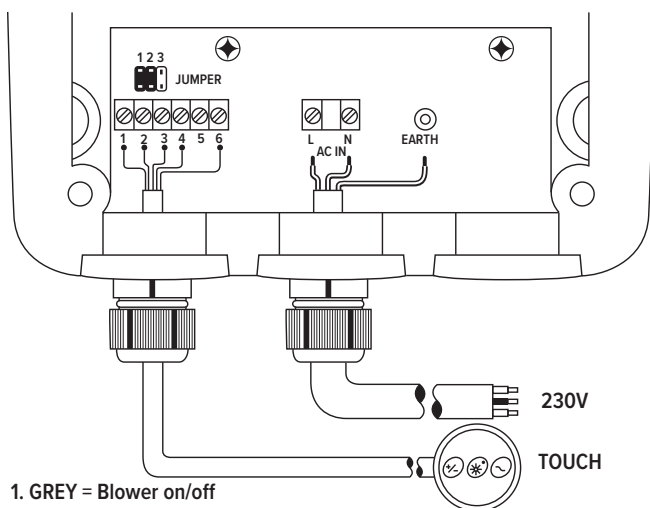
Blower pulse function:

Press the button once and the speed varies from highest To slowest speed continuously over a set period of time.

Dry blowing function:

The dry blowing function starts 30 minutes after the blower has been turned OFF and lasts for approximately 2 minutes.

Connection Diagram



1. GREY = Blower on/off
2. BLACK = Massage mode
3. BLUE = Variable speed
4. YELLOW = LED on/off
5. N/A
6. RED = GND

User Instructions

Cleaning the Air Spa System

The Genesis Air Spa system on the Comfortline utilizes a blower that generates air bubbles through small air jets in the bottom of the bathtub.

The air jet has an integrated back flow prevention (stainless-steel ball). The back flow prevention keep water out of the air system, insuring a clean and dry system.

Cleaning the bathtub:

1. Drain the water from the bathtub and remove any visible debris. Wait until the dry blowing function is finished.
2. Clean the surfaces of the bathtub with soap or detergent, follow instructions from the supplier of the detergent, rinse with fresh water and drain. Don't press the air jet outlet during cleaning, just wipe. Pressure might damage the air jet.
3. Always tighten the air jet caps after cleaning and use.
4. More rarely, but, if necessary, after severe contamination spray cleaning detergent into the air jets. Fill the tub with water and start the air spa system.
5. Run the system for 2-3 minutes and then turn it off. Clean the tub again according to instructions 1-4.

IMPORTANT:

If the stainless steel is missing inside the air jet a new one must be ordered.



User Instructions

LED Light (Option)

LED Control Button



LED Light



LED light (Available for both the Comfortline, height adjustable bathtub and the Ecoline, fixed height bathtub).

**LED Color Light System (option),
From 02/23/2018 and forward.
Serial no: 1802-204580**

Use:

- The light system touch control is located either at the head end (on the side of the tub covers) or at the foot end (on the edge of the tub, depending on bathtub model).
- The LED light system allows the user to choose 7 different colors, which will illuminate the water via a built-in flood light until the system is turned OFF.

1. The light system is turned ON by pressing the power switch button. The LED light system starts in multi-color mode and will automatically rotate between the different colors.
2. An individual color can be selected by pressing the button several times.
3. Press the button once for each color. The LED light system will be turned OFF when you press the button the ninth time.

User Instructions

Music System (Option)

Music system (only available for Comfortline, height adjustable bathtub):

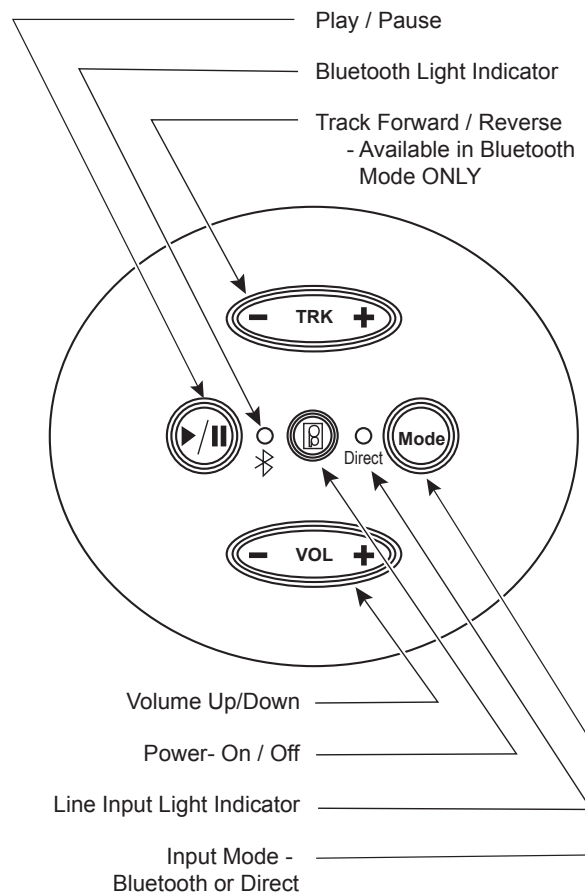
**From 09/01/2017 and forward
Serial no: 1709-203870.**

Operating instructions Bluetooth:

- Press the ON/OFF button.
- Press the MODE button to choose Bluetooth. (Bluetooth indicator will be flashing)
- Turn on the Bluetooth on your music device. (Smart phone, tablet etc.)
- Start the Bluetooth search on your music device.
- Select PPGME60.
- Enter code 6000 (if required). If it doesn't work use 60BT and press "connect".
- Once connected, you can start playing your favorite music.
- Operating range 10M (30 feet).
- Only one user can be connected.

Operating instructions AUX:

- Connect your music device (smart phone, tablet etc.) with an AUX cable to the LINE INPUT connection.
- Press MODE button to change the mode to LINE INPUT. Light indicator shall be RED.



User Instructions

Autofill (Option)

Autofill (Available for both the Comfortline, height adjustable bathtub and the Ecoline, fixed height bathtub).

Autofill (option)

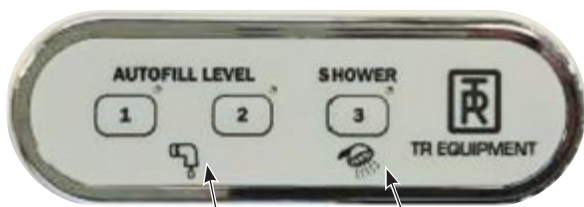
From 02/23/2018 and forward.

Serial no. 1802-204609.

The Autofill allow staff to pick up and prepare the patient for bathing while the tub is being pre-filled.

General information:

- The control panel (see picture) is placed at the tap end.



Control buttons (1 & 2)
Tub filling

Control button (3)
Shower

Operation:

- Button no.1 = Water will be filled to level 1.
- Button no.2 = Water will be filled to level 2.
- Button no.3 = Shower. Pull the knob on the thermostatic mixer.

NOTE:

- When Autofill is used the thermostatic mixer must be fully open. If the mixer isn't open the autofill will not work.

Bathtub filling:

- Press button no.1 and set the thermostatic mixer to desired temperature.
- Test the water temperature by hand or with a thermometer.
- The bathtub will be prefilled to level no.1.
- In the meantime, the patient can be transferred to the bath.
- When the water reach level no.1 the bathtub filling will stop automatically.
- Press button no.2 to start filling the bathtub to level no.2 just below the overflow drainage. When the water reach level no.2 the bathtub filling will stop automatically.
- The auto filling can be stopped at any time by pressing buttons 1 & 2.

Showering:

- Press button no.3 and water will come out from the thermostatic mixer.
- Pull the diverter knob on the mixer to activate the shower.
- Press button no.3 again to turn the shower OFF.

! WARNING:

Always check the water temperature by hand or a bath thermometer before the patient gets into the bath. The thermostatic mixer is pre-set to approximately 109.4 F (43°C) under ideal conditions at the factory.

System Components

Lifting Columns

Thermostatic Mixer



Lifting columns

Only company engineers and/or trained staff are authorized to carry out any work on the drive system (lifting columns and control box). **DO NOT ATTEMPT WORK ON THE LIFTING COLUMNS WITHOUT CONSULTING TR EQUIPMENT AS THIS WILL VOID THE WARRANTY.**

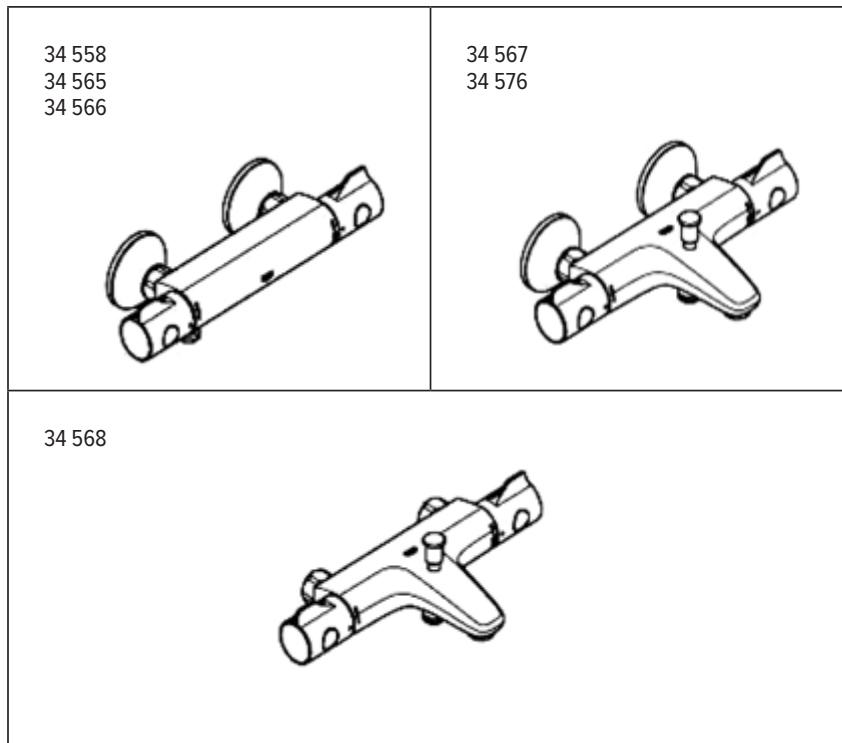


Thermostatic mixer

See separate operating manual, supplied at delivery. TR Equipment refers to the separate operating manual for the thermostatic mixer. When routine maintenance shall be carried out read the Routine Maintenance chapter and the original operating manual for the thermostatic mixer.

GROHTHERM 800
DESIGN + ENGINEERING
GROHE GERMANY
 99.0257.131/AM 233556/12 15
www.grohe.com

Pure Freude an Wasser



- (D)1 (NL)5 (PL)9 (P)14 (BG)18 (CN)23
- (GB)1 (S)6 (UAE)10 (TR)15 (EST)19 (RUS)24
- (F)2 (DK)7 (GRN)11 (SK)16 (LV)20
- (E)3 (N)8 (CZ)12 (SLO)17 (LT)21
- (I)4 (FIN)8 (H)13 (HR)17 (RO)22

Labels and Symbols

Product label





 TR EQUIPMENT TR Equipment logotype

 MD Medical equipment according to MDR 2017/745


 CE CE Marking

 Manufacturing Date

 Factory Address

 REF Part number

 SN Serial number

 Mandatory to read the operating manual before use

Labels and Symbols



Maximum water pressure. Cold water.



Maximum pressure and temperature. Hot water.



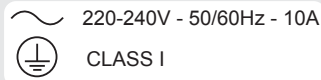
Cleaning shower hose



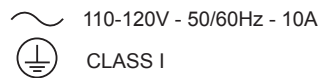
Detergent filling.



Patient weight shall not exceed 330 lb. (150kg)



Alternate current 220-240V – 50/60HZ Protective earth - Class I



Alternate current 110-120V – 50/60Hz Protective earth - Class I



Applied part B

All labels and symbols are placed on the maintenance hatch at the tap end of the bathtub.

Routine Maintenance

! WARNING:

Iodine, Bromine, and Methylene blue might discolor the bathtub.

! IMPORTANT

Always check the water temperature by hand or a bath thermometer before the patient gets into the bath. The Grotherm 800 thermostatic mixer is pre-set to approximately 109.4 F (43° C) under ideal conditions at the factory.



Before Every Use

Visual inspection

- Make sure that the bathtub stands securely on the floor.
- Make sure that the tub is in its lowest position.
- Make sure that the tub is in level when raising and lowering the tub.
- Make sure there are no nicks or cracks on the tub which may scratch the patient.
- Make sure that all electrical cords are in good condition and without damages.
- Make sure that the connecting- and shower hoses do not leak.
- Check the water temperature by hand or with a bath thermometer.

Daily Maintenance

- Clean the tub after every use. Avoid abrasive cleaners which may scratch the surface of the tub and side covers.
- Lower the tub to its lowest position after every use and make sure all valves are closed.
- Clean the strainers on the shower handle by rubbing it with your thumb.

If your Comfortline is equipped with a cleaning system:

- Make sure there is cleaning liquid in the cleaning container.
- Clean the strainers on the cleaning shower handle by rubbing it with your thumb.

Routine Maintenance

Monthly Maintenance

- Monthly maintenance must be performed by an on-site engineer or trained staff.
- Repeat before every use and daily maintenance.
- Make sure that the supply hoses for Hot and Cold water are fitted correctly and do not leak.
- Make sure that the power cord is in good condition and has no damage.

Thermostatic Mixer

- Exercise the mixer by moving the temperature control rapidly from cold to hot and hot back to cold several times pausing at extreme.
- For maintenance of the thermostatic mixer, read manual from the supplier of the thermostatic mixer (manual enclosed at delivery).
- If the bathtub is used in an area with hard water, ensure that the mixer cartridge and strainers are clean. See instructions in the manual from the manufacturer of the thermostatic mixer (manual supplied at delivery). This must be done by a qualified person.
- If you have a FMM9000E Antibactus thermostatic mixer, also read manual from the manufacturer how to flush it and restore it correctly (manual enclosed at delivery).
- Contact your EZ Way representative if you need new manuals.

WARNING:

Scalding risk when flushing with hot water!

WARNING:

Shower hoses on the TR Comfortline bathtub manage 60°C /140°F for 10 minutes.

WARNING:

Maintenance and/or repairs may only be carried out by the manufacturer or qualified staff authorized by the manufacturer, **OTHERWISE WARRANTY EXPIRES IMMEDIATELY.**

Routine Maintenance

Annual maintenance and inspection must be performed by a qualified technician according to local regulations.

Annual Maintenance

Maintenance and Service Manual including check list is available. Contact TR Equipment for an updated manual.

Repeat before every use, Daily maintenance, and Monthly maintenance.

- Inspection of the electrical installation, power cord, earth cables and equipment must be performed by a qualified electrician.
- Inspection of the plumbing installation, flexible connection hoses, shower hoses, pipe interrupters, check valves (supplied by the installer) etc. must be performed by a qualified plumber.
- Make a scalding test by shutting OFF the cold water. The thermostatic mixer shall shut OFF if only HOT water is supplied.
- If it doesn't shut OFF the mixer or cartridge must be replaced.
- There should be an annual inspection of the electrical installation and of the devices according to local requirements.

Comfortline, height adjustable bathtub:

- Initialize/calibrate the lifting columns according to the instructions described in the Operating manual. See Initializing in the table of content.
- If your Comfortline is equipped with cleaning system check the OPEN / CLOSE valve to see if it open and close the valve properly. Replace valve stem if necessary.

WARNING:

Scalding risk when flushing with hot water!

WARNING:

Shower hoses on the TR Comfortline bathtub manage 60°C /140°F for 10 minutes.

WARNING:

Maintenance and/or repairs may only be carried out by the manufacturer or qualified staff authorized by the manufacturer, OTHERWISE WARRANTY EXPIRES IMMEDIATELY.

Replacement of Parts

Every 3 Years:

- Replace the silver colored shower hose
- Replace shower handle
- Replace connecting hoses for hot and cold water

If bathtub is equipped with cleaning system (Comfortline, height adjustable bathtub):

- Replace the yellow cleaning shower hose and shower handle.
- Replace the valve stem on the open and close valve. Every 5 years:
- TR Equipment recommends replacement of the thermostatic mixer.


Every 5 Years:



In healthcare applications such as hospitals, aged person facilities, residential care homes, etc. and in any other applications where the user is similarly at risk, irrespective of supply and usage conditions or the evidence of in-service tests, **THE CRITICAL COMPONENTS MUST BE REPLACED AT INTERVALS OF NO MORE THAN 5 YEARS.**

Every 12 years

- Replace lifting columns, control box and hand control (Comfortline, height adjustable bathtub).



WARRANTY:

- Maintenance and/or repairs may only be carried out by the manufacturer or qualified staff authorized by the manufacturer. Otherwise warranty expires immediately.
- If the thermostatic mixer is supplied by TR Equipment, it's covered by warranty, but problems related to the quality of the water is not covered by the warranty from TR Equipment.

Cleaning Instructions

PLEASE NOTE: The user/operator is responsible selecting the correct cleaning liquid/detergent and additives according to local regulations and safety standards. Please read the cleaning liquid/detergent supplier's instruction manual and find out whether the product is suitable for use with this product.

General guidelines for cleaning liquid/detergent:

- No solvent based or strong alkaline cleaning liquids, use of these products may cause damage.
- Nonabrasive type of detergent
- Less than 5 Wt % chloride content
- Less than 3 Wt % alcohol content

Clean the tub after every use. Use patient shower handle to rinse all surfaces with fresh water. Avoid abrasive cleaners which may scratch the surface of the tub and side covers.

WARNING:

Never use flushing water when cleaning the tub side covers and the underside of the tub. Only use flushing water inside the tub.

