



EZ Way, Inc.

# EZ Way Model CL1000

The EZ Way Ceiling Lift is a battery operated patient lift that is mounted in tracks that are installed into the ceiling. The lift is used with a sling or walking harness to transfer the patient along the track.

## Features

- Available as manual or power traverse
- On-board intelligence to monitor lift usage
- 4-Point Spreader Bar for maximum patient comfort
- Backlit LCD screen displays battery and diagnostic messages

## Diagnostic Features

- Usage time captured
- Overload protection
- Optional inspection reminder

## Safety Controls

- Emergency Down
- Emergency Stop
- Manual Down
- Strap Tension and Angle Protection
- Over Current Protection
- Low Battery Cut-Off
- Emergency Brake

## Construction

- Aluminum Chassis
- All metal drive train
- Dual-pawl emergency brake
- ABS Enclosure



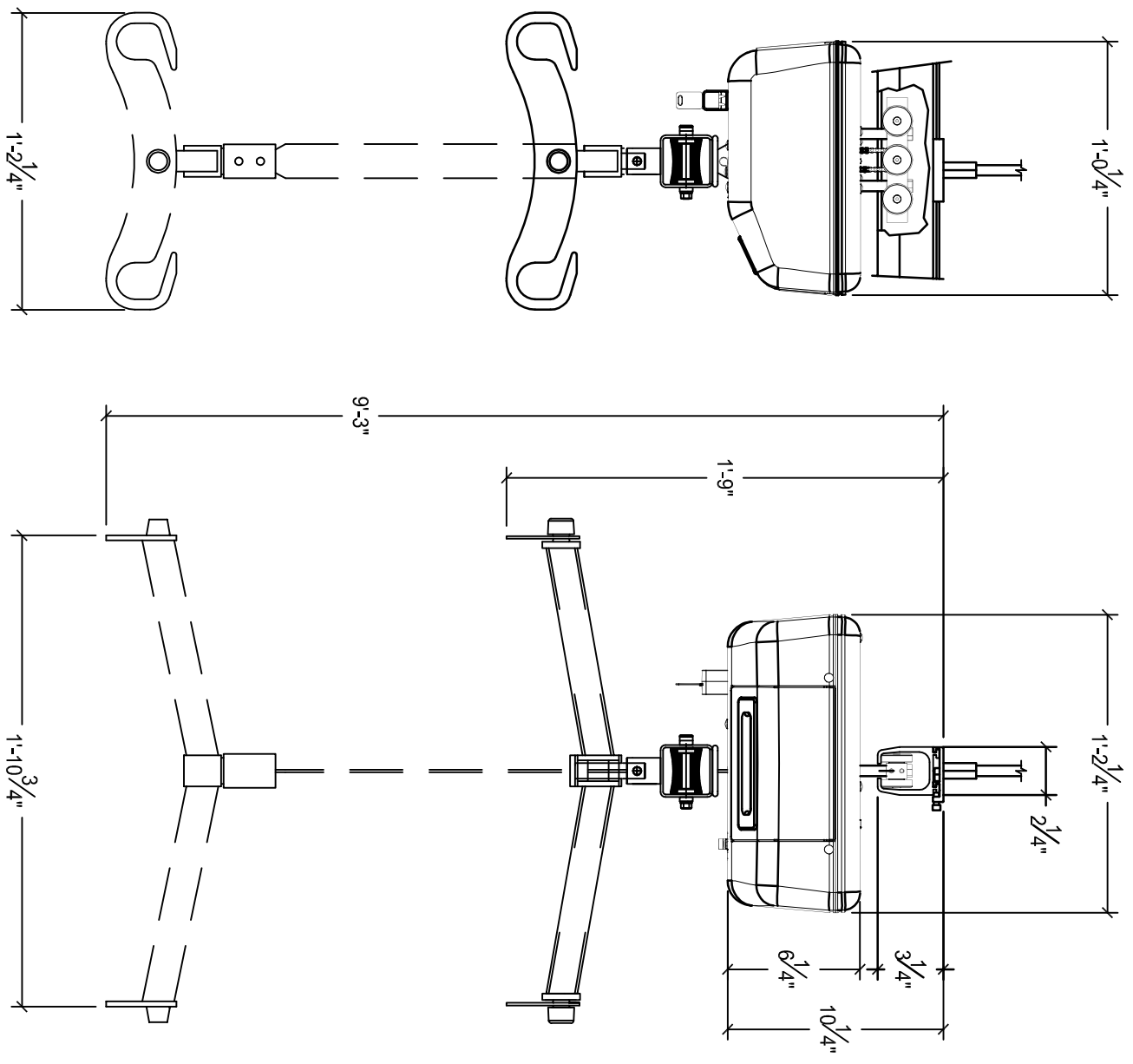
## Specifications

Model:	CL1000
Capacity:	1000 lb
Physical Dimensions:	14 ¼" x 12 ¼" x 6 ¼"
Weight:	31 lb
Installation:	Ceiling Mounted
Charger Input:	120 VAC
	60 Hz
	1 Amp
	Power Cord (NEMA 5)
BTU's:	N/A
Motor Control:	Electronic soft-start and soft-stop
Controls:	Hand-held remote plus on-board controls
Batteries:	2-12 V SLA, 5.0 Ah
Motor Rating:	20 Amp

**⚠WARNING:** Cancer and Reproductive Harm - [www.P65Warnings.ca.gov](http://www.P65Warnings.ca.gov).

EZ Way, Inc. • (800) 627-8940 • Fax (712) 542-1899 • [www.ezlifts.com](http://www.ezlifts.com)

Form 2-245  
Rev. 11/12/2020



Room Number:

CL 1000  
Ceiling Lift Motor



Drawn By: PR Scale: NTS

Reference: Date: 2/22/11