

Instructions for use



BureTM Walker

Bure Standard EL 56-312
Bure S EL 56-302

GATE

REHAB DEVELOPMENT AB

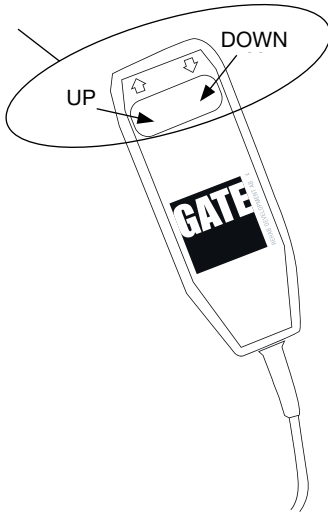
Dear User,

Congratulations on obtaining a Bure Walker! These instructions provide important information on how to use the walker and how to maintain it.

All of us here at GATE Rehab Development hope you enjoy using your new product. If you have any comments, questions or points of view, please contact us on +46 (0)371 318 00.

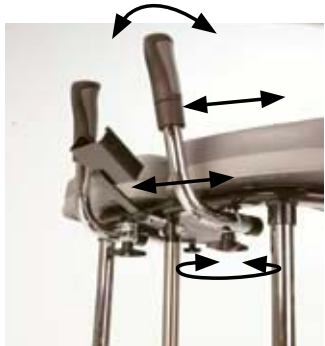
Raising and lowering the frame

Adjust the height with the aid of the remote control UP and DOWN arrows.



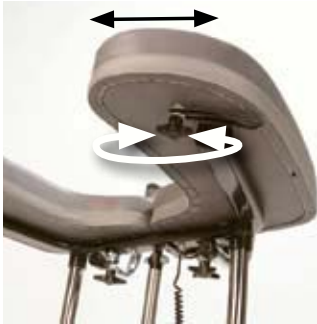
Adjusting the handles

To adjust handles to the desired position; loosen screw, adjust handle, tighten screw.



Left and right adjustment of armrests

The armrests can be adjusted sideways for optimal support; loosen screw, adjust armrest, tighten screw.



Locking castors

Depress the foot brake to set it and lock the castor.

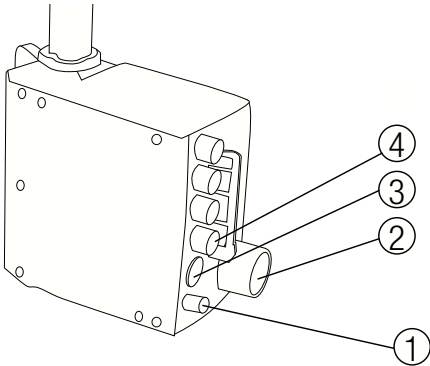


Unlocking castors

Press down on the protruding part of the brake to release it.



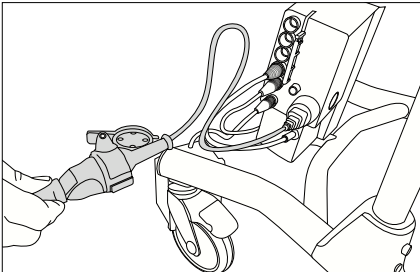
Control box wiring



1. Battery terminal socket.
2. Plug socket.
NOTE! The plug must ALWAYS be connected to the control box for IP protection to be valid.
3. Remote control socket.
4. Socket for the raise/lower actuator.

NOTE! Make sure that plugs are connected to the correct sockets otherwise the actuators can be damaged.

Battery charging



Battery charging must take place when the walker is not in use (the battery can never be overcharged). Charging is carried out by inserting the plug in a wall socket.

The battery should be charged at least 24 hours before first time use.



Maintenance

Recommended at least once per year.

Check that	Action
General	
The walker feels firm/free from play.	Clean with lukewarm soap solution or alcohol-based cleaning agent (no petroleum products).
The walker does not rattle during manoeuvres.	
The walker is level and all of its castors are in contact with the floor.	
The walker is not dirty.	
Armrests	
Armrests are intact and clean.	Clean; replace if damaged.
Armrest widening is functional.	Fit lock screws/plates as required.
Handle	
Grips are not damaged/dirty.	Clean with lukewarm soap solution (no petroleum products). Replace handle grips.
Handle adjustment is functional.	Fit lock screws/plates as required.
Battery	
Check that the charging cable is connected to the control box.	Fit new charging cable; this must always be connected to the control box (IP65 protection).
Check that the remote control is connected to the control box.	Connect or fit new remote control as required.
Check that connections are made according to the wiring diagram.	Refer to the wiring diagram in the Technical manual.
Check that the battery, actuators and control box are not loose.	Tighten; replace with new fasteners as required.
Height adjustment	
Raising and lowering are functional.	Fit new guide sleeves (in frame) or end plugs (in chrome tubes) as required.
The walker feels stable at maximum settings.	
There is no play between the vertical frame and bottom frame.	Tighten all lock bolts.
Height adjustment clamps lock.	Replace clamps.
The electric actuator fitting must be free from play.	Tighten the attachment fitting concerned; replace bolts/lock nuts as necessary.
Height adjustment via remote control is functional. The electric actuator must run smoothly at a constant speed.	Check that the battery/remote control/actuator are connected in accordance with the wiring diagram. Charge the battery. Contact customer services.
Frame parts	
There is no mechanical damage.	If damage is present, contact GATE's customer services.
There are no scratches.	Touch up as necessary.
End plugs/lower frame fitted.	Fit new end plugs.
Castors/brakes	
Castors roll easily/tread not damaged.	Clean or replace castors. NOTE! Castors are always fixed to the lower frame with thread locker or lock nuts. Do not dismantle the castors; replace the whole castor assembly instead.
The castors are firmly fastened to the lower frame.	Tighten the castor bolt and fit locking nut or use thread locker (depends on model).
Castor brakes functional on all castors.	Replace castor assembly.
Handbrake functional.	Adjust the brake or fit new castors.


General maintenance advice

- Clean the walker and its armrests clean as necessary; Wipe using a soap solution/surface disinfectant.
- The product may be cleaned in a tunnel washer or similar as electrical systems have IP65 protection. However, the product is not corrosion proof which means washing by machine may reduce its lifetime.
- Replace damaged parts immediately; must be done by experienced personnel.
- The product is only intended for indoor use.

Technical specifications

Dimensions apply to walkers with 125 mm castors.

Standard EL	S EL
Part No. 56-312	Part No. 56-302
Width 78 cm	Width 66 cm
Max user weight 150 kg	Max user weight 150 kg
Length 80 cm	Length 79 cm
Height 91–131 cm	Height 91–131 cm
Armrest/internal dimension 25–50 cm	Armrest/internal dimension 30–45 cm

 CE marked according to MDD 93/42/EEC.
Tested and approved according to EN-11199-3/2005

GATE

REHAB DEVELOPMENT AB™

YOUR HEALTHCARE PARTNER

Would you like to know more?

Contact us at:
Tel: +46 371 31800
Gate Rehab Development AB
Industrigatan 2 | SE-330 21 Reftele
info@gaterd.se | www.gaterd.se



GATE COLLECTION