



EZ Way, Inc.

*"Your Total Patient  
Lift Solution"*

**EZ 900**

## The Friendly Bath.

The friendly-functional design of the EZ 900 integrated bathtub and panel makes it simple and convenient to operate. The smooth and soft design also makes it easy to keep the tub cleaned and maintained. The extra width of the bathtub at the head end allows more space for arms and shoulders and is an advantage when shampooing. The double-skin bathtub minimizes heat loss, and the EZ 900 is delivered with an adjustable foot support.

The EZ 900 whirlpool models improve the resident's well being. The relaxing whirlpool effect stimulates the circulation and assists in washing of the resident. The shower handle with its soft rubber outlet spray is easy to clean and gives a comfortable soft water dispersion when showering. The concealed shower handle is easily reached on the right hand side of the panel but is out of the way when not in use.

The "hidden" cleaning system on the C models has a handle on the left hand side of the panel and is activated with a special safety on/off key. When not activated, the system is out of reach to avoid improper use by resident or carer. With our experience, we have produced fingertip controls for the height adjustment and whirlpool system, and the EZ 900 simplifies the entire bathing cycle for staff.

The EZ 900 Autofill bath models are even more simple and efficient for staff to use. No waiting or observation time when prefilling the bathtub. The one touch unattended Autofill water system prefills the bathtub while residents are prepared for bathing. Just touch the bathtub filling symbol and set the water temperature with the thermostatic mixing valve. If required, additional water can be added when the pre-set Autofill level is reached. The EZ 900 has easy fingertip symbol touch controls for showering and activating the whirlpool. Lighted display tells staff what's activated on the panel: Autofill, additional water, showering, temperature and whirlpool.



Also available in **Stainless Steel**.



**EZ 900** - Height Adjustable Bathtub



EZ 900 **Autofill** model.

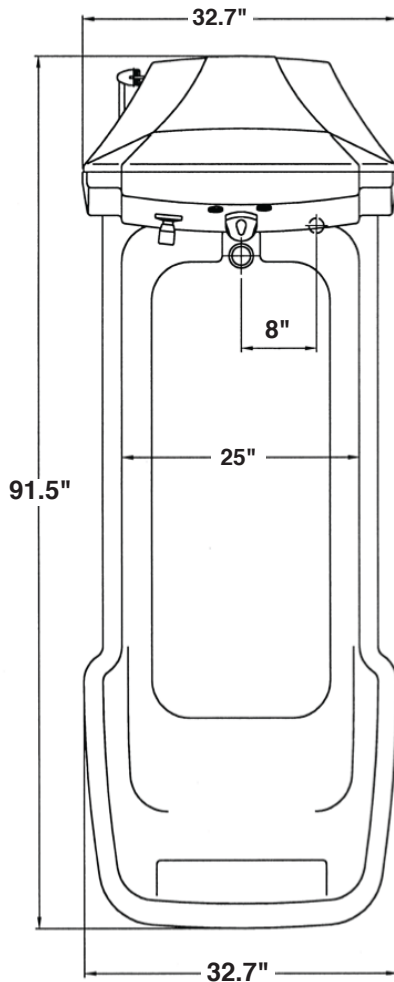
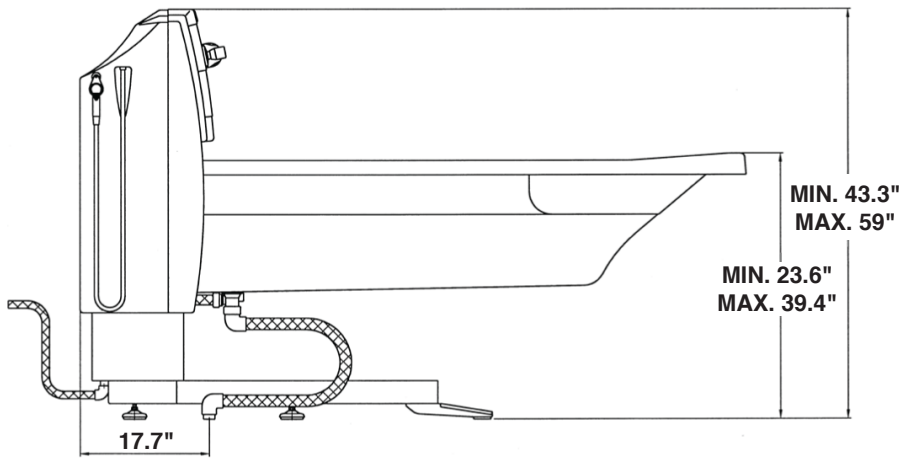


**Cleaning system** is placed out of sight and reach for the patient.



When integrated with the **EZ Mobile Bath Lift System**, the system provides a safe moving and handling experience for both resident and attendant. During the bathing cycle, the resident never leaves the comfort and security of the chair.

*"Your Total Patient Lift Solution"*



## Features

The 3/4" (22mm) thermostatic mixing valve, the 3/4" internal piping and the double filling spouts give a good water flow and short filling time. The digital LED thermometer shows the shower and bathtub filling water temperature, and the Autofill models also show the still water temperature in the bathtub.

The cleaning system with yellow hose (see picture) is mixed with cold water to minimise inhalation of the cleaning mixture, which is pre-set at the factory to avoid unnecessary alteration.

The EZ 900 offers a unique whirlpool inlet cleaning adapter. The whirlpool bath models allow you to regulate both jet direction and the quantity of air.

## Bath Models

- EZ 900 HC Cleaning System
- EZ 900 HCW Cleaning and Whirlpool System
- EZ 900 HCWA Cleaning, Whirlpool and Autofill
- EZ 900 FCW Fixed Height Cleaning Whirlpool

## Includes:

- Bathtub and panel are packed as two units (one crate and one box)
- Transport wheel beam and set of loading ramp
- Installation set EZ 900 HC/EZ 900 HCW
- Head pillow

	<b>EZ 900</b>
<b>Length</b>	92"
<b>Width</b>	33"
<b>Overall Weight (Empty)</b>	650 lbs.
<b>Working Load Limit</b>	330 lbs.
<b>Operating Height Range (Bathtub)</b>	23" - 39"
<b>Power Supply</b>	230 V/110 V