



EZ Way, Inc.

Your Total Safe Patient Handling Partner

2000-V21/3000-V21 Shower Trolleys

Operator's Instructions



Registered at Medical Products
Agency, Sweden,
as a MD Class 1 product,
MDR 2017/745.

TR reserves the right to make
design changes and/or
improvements without notice.

EZ Way, Inc.
PO Box 89
Clarinda, IA 51632
1-800-627-8940
www.ezlifts.com

⚠WARNING: Cancer and Reproductive Harm - www.P65Warnings.ca.gov.

Form 2-368
5/9/22

Table of Contents

Safety Notes	2	3000-V21 - Charging instructions	23
Manufacturer	3	Side rails	24
Introduction	4	Corner bumper wheels	25
Unpacking	5	Castors	26
Calibration/Initialization	6	Tilt function	27
Intended Use	7	Drainage	27
2000-V21 Hydraulic shower trolley	7	Patient handling	28
3000-V21 battery operated shower trolley	8	– Introduction	28
Safety Instructions	9	– From wheelchair onto shower trolley	29
General safety instructions	9	– From bed onto shower trolley	30
In case of accident	11	– Showering the patient	31
Features and Controls	12	Labels and Symbols	32
Product Description	13	Routine Maintenance	34
General product description 2000-V21	13	Before every use	34
General product description 3000-V21	14	Daily maintenance	34
Possible combination with other equipment	15	Monthly maintenance	34
Technical Specification	16	Maintenance every 3 years	36
General technical specifications	16	Maintenance every 5 years	36
Technical Specification	18	Maintenance every 10 years	36
Measurements 2000-V21 (standard version)	18	Disposal / Recycling	37
Measurements 3000-V21 (standard version)	19	Cleaning Instructions	38
User Instructions	20	Training Record	41
Height adjustment 2000-V21	20	Maintenance Record	42
Height adjustment 3000-V21	21		
3000-V21 Emergency stop	22		

Safety Notes

- Always study this manual carefully before operating the shower trolley.
- The operator/user must always have access to the operating manual.
- The shower trolley is intended for professional use only where the patient will be under supervision of trained personnel.
- Operating instructions and recommended maintenance procedures are explained in the following pages.
- If you have any questions regarding the operation or maintenance of your shower trolley and cannot find the answer in this manual, please contact us.
- The shower trolley is designed for years of trouble-free operation, with proper use and maintenance.

WARNING:

Mandatory to read the Operating manual before using the equipment.

Manufacturer:



TR Equipment AB
Rundelgatan 2
SE-573 35 Tranås
Sweden

Phone: +46 (0)140 38 50 60
www.trequipment.com
info@trequipment.se

USA Distributor:



EZ Way, Inc.

EZ Way Inc.
P.O. Box 89
Clarinda, IA 51632

(800)627-8940
Fax (712)542-1899
www.ezlifts.com

Introduction

Dear Customer,

Thank you for choosing one of our quality products. We hope you enjoy the 2000-V21 and 3000- V21 shower trolleys.

This manual shall, in conjunction with staff training, ensure that the operator/user is always using and/or operating the 2000-V21 or 3000-V21 correctly.

New users must be trained by qualified and experienced staff.

TR Equipment AB requires that each user has read and understands the entire operating manual and that they can apply the instructions as specified. This applies to anyone who was not present at the in-service training.

This instruction manual should generally be kept easily accessible for every user. Copying the whole manual is encouraged since its sole purpose is to improve the standard of training and safety.

Please order another copy from us if the instruction manual is lost or unusable, or if it has become illegible over time.

If you need further information, do not hesitate to contact TR Equipment AB or one of our qualified partners.

WARNING:

Mandatory to read the Operating manual before using the equipment.

WARNING:

Make sure you have read, understand, and applied the information on the following pages before using the shower trolley.

Unpacking

- 2000-V21/3000-V21 shower trolley is delivered on a wooden pallet with a cardboard box around it. **If the cardboard box is wrapped in plastic carefully cut and remove the plastic.**



- Start unpacking the 2000-V21/3000-V21 shower trolley by removing the lower carton staples with a pliers. **DO NOT** use any sharp tools that may scratch the shower trolley.
- **Carefully lift off the cardboard frame from the pallet. When lifted, do so briefly and use at least two people.**
- **Carefully remove the shower trolley from the pallet.**

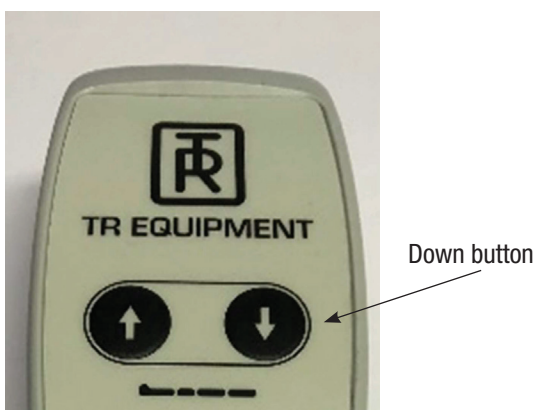


⚠ WARNING:
When moving the shower trolley from the pallet, two people are required.

Calibration/Initialization



3000-V21 as standard equipped with a foot control



3000-V21 with hand control (Option)

When the Emergency stop has been activated it could be necessary to initialize the lifting column.

- Lower the lifting column to the lowest position.
- Press the DOWN (—) pedal once.
- Press the DOWN (—) pedal once more.
- When you hear two short signals the shower trolley is ready to be used again.

Intended Use

2000-V21 Hydraulic shower trolley

- The 2000-V21 shower trolley is a hydraulic operated shower trolley.
- The 2000-V21 shower trolley is intended to ease transferring and caring of the patient. Typical situations where the 2000-V21 shower trolley is used include transporting the patient to and from a shower area, showering and cleaning the patient, dressing the patient, and changing diapers.

Typical situations where the 2000-V21 shower trolley is used includes:

- Transporting the patient to and from a showering area.
 - Showering and cleaning the patient.
 - Dressing the patient.
 - Changing diapers.
-
- The 2000-V21 is NOT intended to be used with patients that exceed a weight of 200kg. (440 lb.)
 - The patient is typically a person who is unable to take care of their own personal hygiene.
 - The 2000-V21 is only intended to be used for short term use <60 minutes when in contact with breached or compromised skin.
 - The 2000-V21 is intended to be used indoors in all types of care facilities and private homes, including hygiene areas.
 - The user is any adult person who is capable of reading and understands the operating manual and is qualified to care for dependent persons/patients.
 - Before using the 2000-V21, the user must read and understand the operating manual.

WARNING:

Mandatory to read the Operating manual before using the equipment.

WARNING:

Make sure you have read, understand, and applied the information on the following pages before using the shower trolley.

Intended Use

3000-V21 battery operated shower trolley

- The 3000-V21 shower trolley is a battery-operated shower trolley.
- The 3000-V21 shower trolley is intended to ease transferring and caring of the patient. Typical situations where the 3000-V21 shower trolley is used include transporting the patient to and from a shower area, showering and cleaning the patient, dressing the patient, and changing diapers.

Typical situations where the 3000-V21 shower trolley is used includes:

- Transporting the patient to and from a showering area.
 - Showering and cleaning the patient.
 - Dressing the patient.
 - Changing diapers.
-
- The 3000-V21 is NOT intended to be used with patients that exceed a weight of 200kg. (440 lb.).
 - The patient is typically a person who is unable to take care of their own personal hygiene.
 - The 3000-V21 is only intended to be used for short term use <60 minutes when in contact with breached or compromised skin.
 - The 3000-V21 is intended to be used indoors in all types of care facilities and private homes, including hygiene areas.
 - The user is any adult person who is capable of reading and understands the operating manual and is qualified to care for dependent persons/patients.
 - Before using the 3000-V21, the user must read and understand the operating manual.

WARNING:

Mandatory to read the Operating manual before using the equipment.

WARNING:

Make sure you have read, understand, and applied the information on the following pages before using the shower trolley.

Safety Instructions

General safety instructions

- Only qualified staff, who understand all operating and safety procedures may operate the shower trolley.
- Always physically check the water temperature before and during showering.
- The patient must be positioned comfortably on the stretcher mattress, with side rails securely locked.
- Make sure that all parts that comes in contact with the patient are intact and without sharp edges.
- Ensure that the shower trolley can be moved, raised, or lowered safely to avoid any pinch injuries on the patient.
- Castor brakes must be securely locked on the shower trolley before transferring a patient and once in position over a drain.
- Operate the shower trolley carefully when transporting patients through narrow corridors or over irregular uneven surfaces.
- Wipe dry under the stretcher to prevent water dripping on the floor.
- The shower trolley must be cleaned and wiped dry after every use. See cleaning instructions in table of contents.

WARNING:

Mandatory to read the Operating manual before using the equipment.

WARNING:

Never sit at the ends of the stretcher.

WARNING:

Never leave the patient unattended.

WARNING:

NEVER use the 2000-V21/3000-V21 shower trolley in any way that varies from the safety precautions and operating procedures detailed in this manual. The 2000-V21/3000-V21 shower trolley must not be operated by anyone until the user has read and understands the instructions in this manual.

Safety Instructions

General safety instructions

- Avoid skin or eye contact with detergent, which is highly caustic. If contact is made, rinse immediately with excess water. If irritation occurs, consult a doctor. Always read and follow detergent supplier instructions.
- Never clean mattress and pillow in gas sterilization unit. Mattress and pillow will explode.
- It is recommended that the batteries on the 3000-V21 shower trolley are charged daily or whenever the shower trolley is not in use. The batteries cannot be overcharged.
- The TR battery charger is the only approved charger for the 3000-V21 battery operated shower trolley.
- Do not use battery charger in wet or damp areas – Potential shock hazard.
- Make sure that all castors are clean, in place and free from damages.
- Make sure that side rails are in place and free from damage and all screws are tightened.
- Make sure that mattress and pillow must be kept well maintained in place.
- The shower trolley must be inspected visually for sign of wear. The shower trolley should not be used if defects are noted. Prompt service is required.

If you have questions regarding operation or maintenance of your shower trolley and cannot find the answer in this manual, please contact us!

WARNING:

Mandatory to read the Operating manual before using the equipment.

WARNING:

NEVER use the 2000-V21/3000-V21 shower trolley in any way that varies from the safety precautions and operating procedures detailed in this manual. The shower trolley must not be operated by anyone until the user has read and understands the instructions in this manual.

Safety Instructions

In case of accident

Note:

In case of a serious incident when using the 2000V-21/3000V-21 shower trolley, this should be reported to the manufacturer and to the local authorities where you are established.



TR Equipment AB
Rundelgatan 2
SE-573 35 Tranås
Sweden

Phone: +46 (0)140 38 50 60
www.trequipment.com
info@trequipment.se

Group subsidiary:

TR Group Inc.

Phone: +1 (800) 7526900

www.trequipment.com
info@trequipment.se

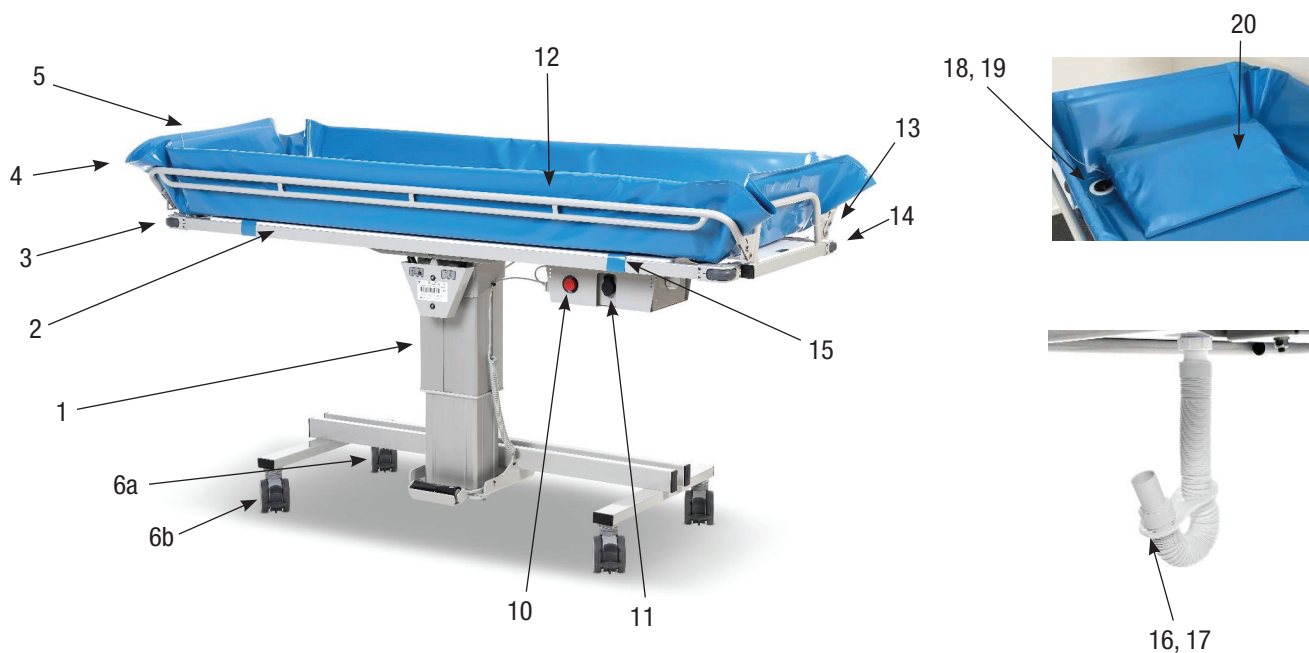
Distributor:

EZ Way, Inc

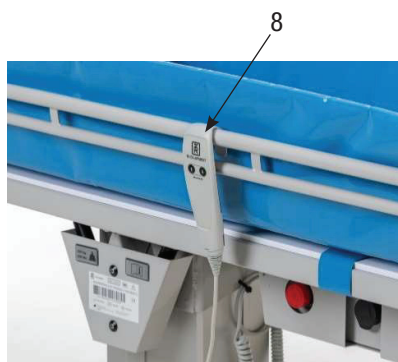
Phone: (800)627-8940

www.ezlifts.com
sales@ezlifts.com

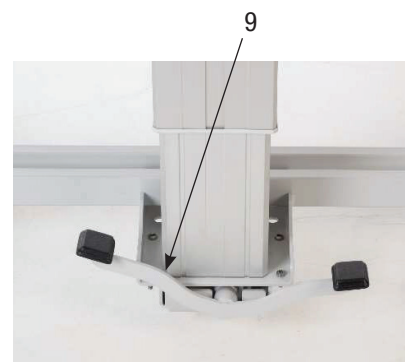
Features and Controls



3000-V21



3000-V21



2000-V21

- | | |
|--|-------------------------------|
| 1 Lifting column | 10 Emergency stop |
| 2 Stretcher | 11 Charging connector |
| 3 Tilt handle (under mattress and plastic plate) | 12 Side rail |
| 4 Short end | 13 Side rail lock |
| 5 Mattress | 14 Bumper wheel |
| 6a/b Castor with brake. Grey pedal | 15 Mattress attachment straps |
| 6b Straight steering castor (option) Black pedal | 16 Drainage hose |
| 7 3000-V21 Foot control UP (+) / DOWN (—) | 17 Hose holder |
| 8 3000-V21 Hand control Up/DOWN (Option) | 18 Drainage |
| 9 2000-V21 Foot pedal UP/DOWN | 19 Drainage plug |
| | 20 Pillow |

Product Description

General product description 2000-V21

Height adjustable shower trolley. As standard equipped with side rails in stainless steel, four castors with brake, hydraulic pump, Blue mattress, Blue pillow, drainages (2 pcs), drain plugs (2 pcs), drain hose 1M (3 Feet) (1 pcs) and hose holder (1 pcs).

2000-V21 is available in four different lengths:

- 2000S-V21, 1600 mm (63 in.)
- 2000-V21, 1900 mm (75 in.)
- 2000L-V21, 2100 mm (83 in.)
- 2000W-V21, 1950 mm (77 in.)

Options:

- Straight steering castors (2 pcs) Drainage hose 2.5M (8 Feet) Wedge pillow 15°
- Mattress fasteners and straps IV pole bracket

Contact EZ Way or your EZ Way representative for part numbers.



Product Description

General product description 3000-V21



Height adjustable shower trolley. As standard, equipped with four castors with brake, batteries, battery charger, Blue mattress, Blue pillow, drainages (2 pcs), drain plugs, drain hose and hose holder.

3000-V21 is available in three different lengths:

- 3000S-V21, 1600 mm (63 in.)
- 3000-V21, 1900 mm (75 in.)
- 3000L-V21, 2100 mm (83 in.)

Options:

- Straight steering castors (2 pcs)
- Hand control UP/DOWN
- Drainage hose 2,5M (8 Feet)
- Wedge pillow 15°
- Mattress fasteners and straps
- IV pole bracket

Contact EZ Way or your EZ Way representative for part numbers.

Product Description

Possible combination with other equipment

Possible equipment combinations

2000-V21 / 3000-V21 Shower panel 2810



Technical Specification

General technical specifications

2000-V21/3000-V21 – Shower trolley

Maximum working load	200Kg (440 lb.)
Control 2000-V21	Hydraulic pump
Control 3000-V21	Foot control for height adjustment
Operating range	600 – 900 mm (23.62 in. - 35.4 in.)
Operating time UP, 3000-V21	30 seconds
Operating time DOWN, 3000-V21	30 seconds
Operating time UP, 2000-V21	18 pumps
Operating time DOWN, 2000-V21	15-20 seconds (depending on weight)
Floor clearance	160 mm (6.3 in.)
Mattress and Pillow	Flame retardant PVC material
Structure	Powder coated, zinc plated and stainless steel
Protection class	IP X5

2000S-V21/ 3000S-V21 – Dimensions and weights

Length	1600 mm (63 in.)
Patient work area	1460 x 560 mm (57.5 in. x 22 in.)
Width	640 mm (25.2 in.)
Weight	73kg / 80kg (161 lb./176 lb.)

2000-V21/3000-V21 – Dimensions and weights

Length	1900 mm (75 in.)
Patient work area	1760 x 560 mm (69.29 in. x 22 in.)
Width	640 mm (25.2 in.)
Weight	79kg / 88kg (174 lb. / 194 lb.)

2000L-V21/3000L-V21 – Dimensions and weights

Length	2100 mm (83 in.)
Patient work area	1960 x 560mm (77.1 in. x 22 in.)
Width	640 mm (25.2 in.)
Weight	83kg / 92kg (183 lb./203 lb.)

2000W-V21 – Dimensions and weights

Length	1950 mm (77 in.)
Patient work area	1780 x 640 mm (70 in. x 25.2 in.)
Width	695 mm 27.4 in.)
Weight	82kg / 91kg (181 lb. / 201 lb.)

3000-V21 Voltage

Supply voltage	24 VDC, 7Ah (Lead-acid, rechargeable)
Supply voltage 3200R-V21	24 VDC, 4 Ah (Lithium, rechargeable)
Battery charger input	100-240VAC, 50/60Hz
Battery charger out put	24VDC

Technical Specification

Technical life span

Technical life span	10 years if the product is serviced and maintained according to instructions in this manual.
---------------------	--

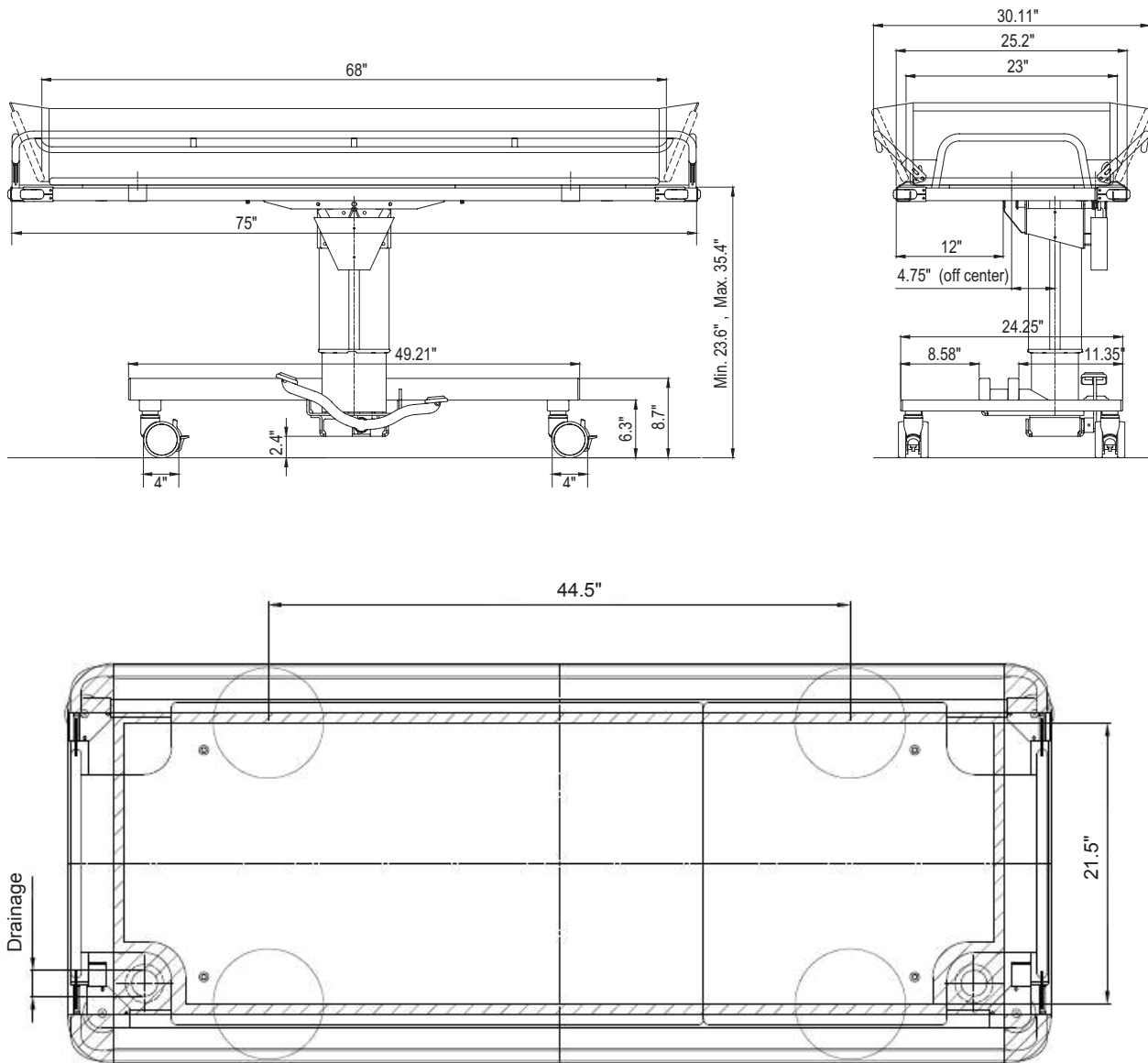
Transport and storage

Ambient temperature	-20°C - +70°C -4°F - +158°F
---------------------	--------------------------------

Technical Specification

Measurements 2000-V21 (standard version)

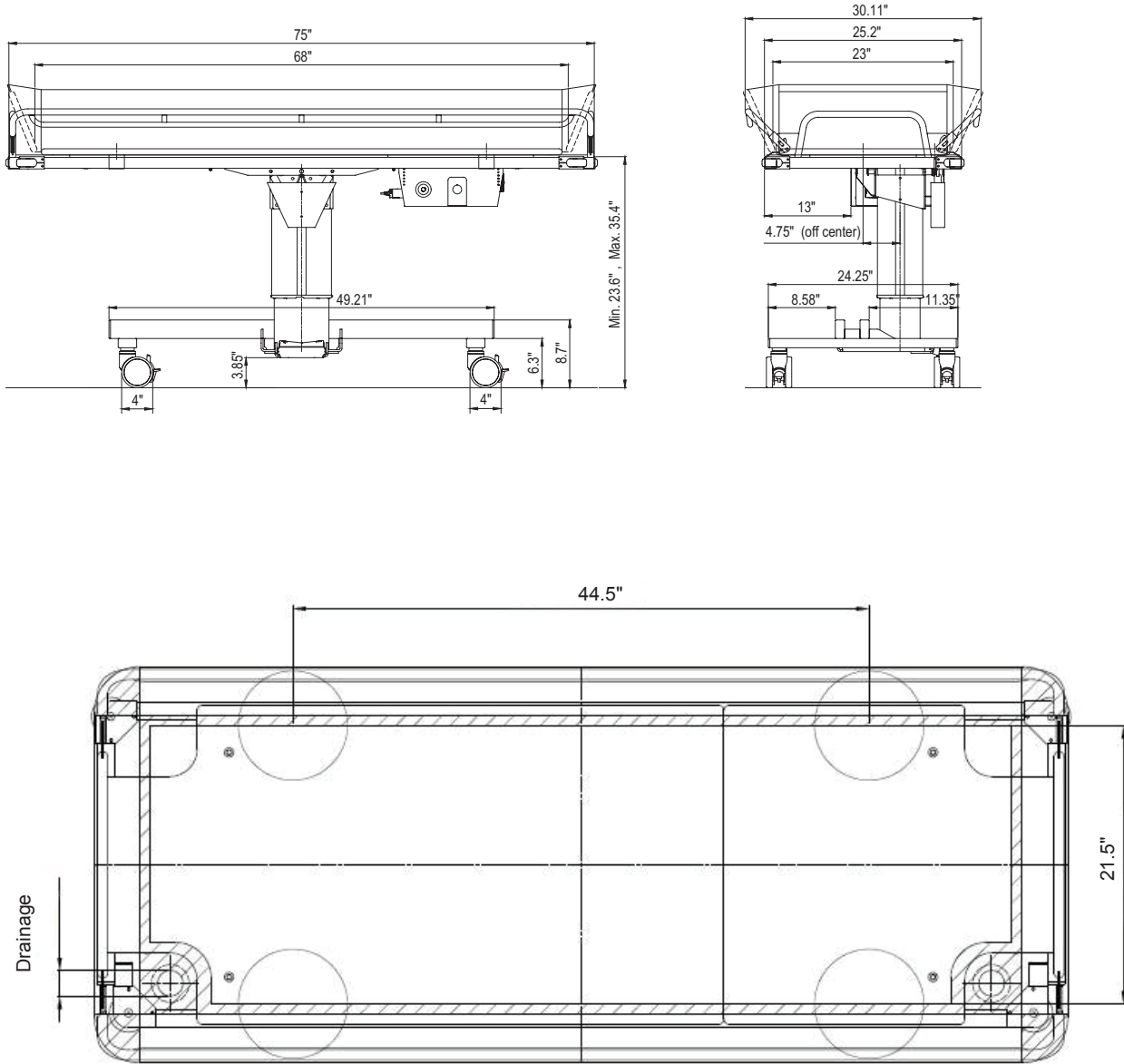
Standard dimensions (see technical specification for 2000L-V21, W-V21 & S-V21)



Technical Specification

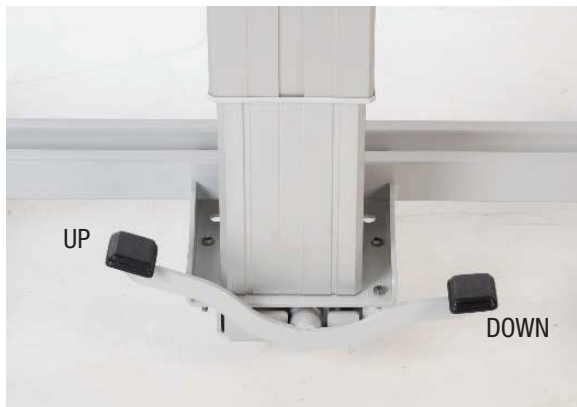
Measurements 3000-V21 (standard version)

Standard dimensions (see technical specification for 2000L-V21 & -S-V21)



User Instructions

Height adjustment 2000-V21



2000-V21 – Height adjustment

Raise or lower the shower trolley with the foot pedal.

- Raise the stretcher by pumping the UP-foot pedal
- Lower the stretcher by pressing the DOWN-foot pedal downwards.

The stretcher lowers smoothly when the pedal is pressed downwards and stops immediately when the pedal is released.

When the stretcher hits the tops position a safety valve opens in the hydraulic piston and the stretcher stops moving upwards.

⚠ WARNING:

Maximum working load = 200kg (440 lb.)

User Instructions

Height adjustment 2000-V21

3000-V21 – Height adjustment

Raise or lower the shower trolley with the foot pedal

- Raise the stretcher by pressing the UP symbol (+) on the foot pedal.
- Lower the stretcher by pressing the DOWN symbol (-) on the foot pedal.

The stretcher raises and lowers smoothly when the foot pedal is pressed and stops immediately when you stop pressing the foot pedal. When the stretcher reaches the highest position, it will automatically stop.



User Instructions

3000-V21 Emergency stop



Emergency stop

If the lifting column on the shower trolley, for some reason must be stopped immediately and it doesn't help to stop pressing the hand control, press the Emergency stop on the battery box.

The Emergency stop will cut the power supplied to the lifting column. To release the Emergency stop, turn the Emergency stop clockwise.

If the problem remains, immediately contact EZ Way or an EZ Way representative for repair.

If you hear a beeping sound when you start using the shower trolley again, calibrate the lifting column. See table of contents for instructions.

User Instructions

3000-V21 - Charging instructions

Charge the 3000-V21 shower trolley daily or when the low battery audible tone sounds. The batteries cannot be overcharged. The battery charger is equipped with a magnetic connector to avoid damages on the charger if the shower trolley will be moved during charging.

- Use only the battery charger supplied by TR Equipment.
- Connect the charger to the charging connector on the shower trolley before connecting the charger to the mains supply.
- When the battery charger is properly connected the charging indicator on the charger will be lit. If not, make sure the plug on the charger is properly connected.
- The charging indicator shows the charging cycles. Yellow while charging and Green when the batteries are fully charged.
- Minimum charging time is 8 hours. The batteries cannot be overcharged.
- When the charging is completed, disconnect the charger from the mains, before you disconnect the charger from the lift.
- A flat fuse (15A) is connected between the batteries. The batteries are placed under the mattress and plastic plate inside an enclosure mounted on the stretcher frame.

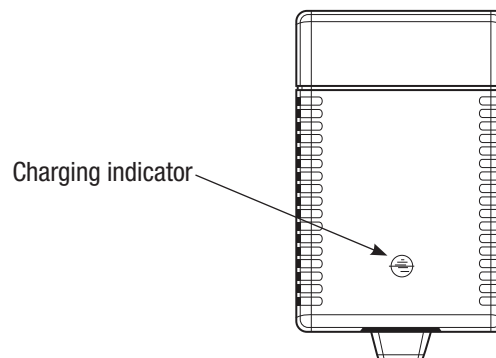
To open the enclosure a Torx 25 tool is needed.



Charging connector on the shower trolley

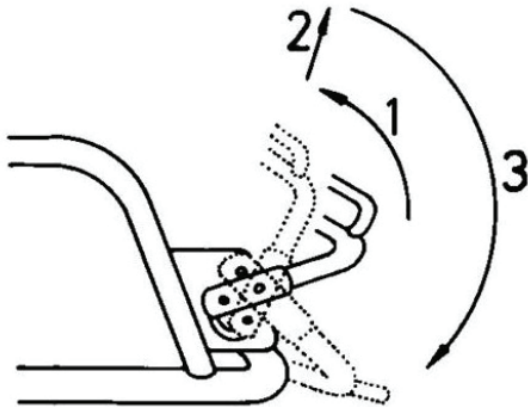


Charging connector on battery charger

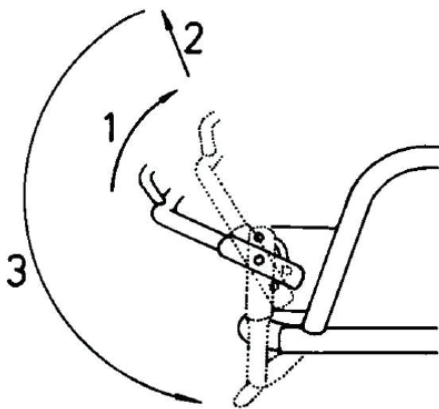


User Instructions

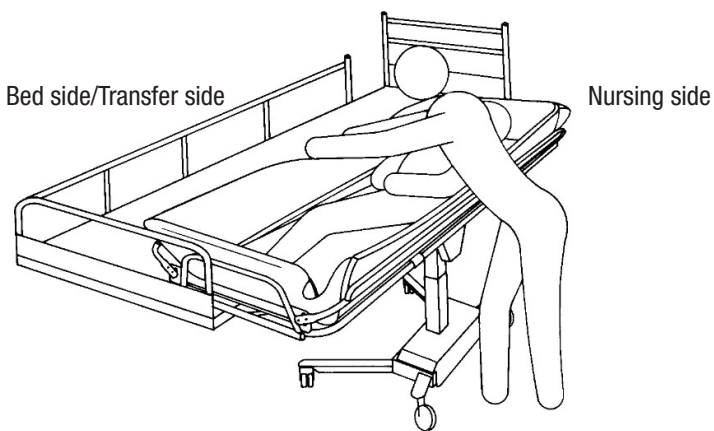
Side rails



Bed side/Transfer side



Nursing side



The “bed side rail” (transfer side) is easily lowered to a horizontal position for a safe patient transfer and raised again before transport.

Pull the side rail to a vertical position (1), lift the side rail to release the two locks at the end of the side rail (2) and swing it down to a horizontal position (3).

The side rail on the nursing side pivots freely under the stretcher when performing the steps described above.

Raise the side rail by simply pulling it back into its upright position. Lower it and the two locks will automatically lock into place.

When transporting through narrow doorways, reduce the width of the shower trolley by holding the side rails in a vertical position.

User Instructions

Corner bumper wheels

The 2000-V21/3000-V21 shower trolley is equipped with corner bumper wheels in all four stretcher corners to protect walls and doorways.



User Instructions

Castors



The 2000-V21/3000-V21 shower trolley is equipped with four castors with brake and they have a Grey pedal.

- To activate the brake on the castors, press the Grey pedal down with your foot until it clicks into position.
- To release the brake, press the upper side of the Grey pedal upwards.



Castors with straight steering function (Option):

The shower trolley can be equipped with two straight steering castors and they have a Black pedal.

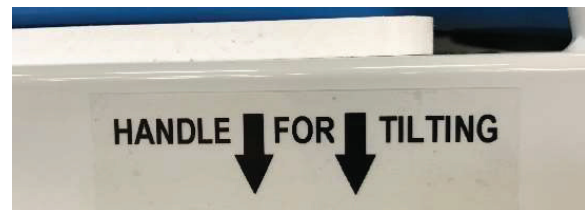
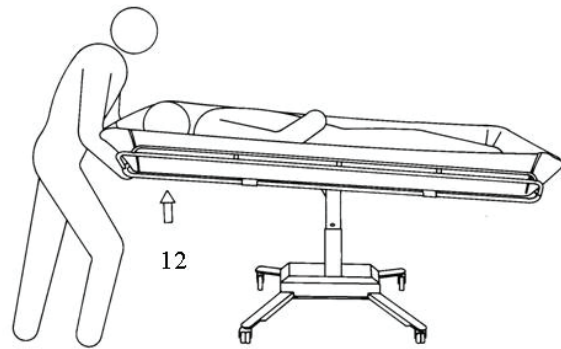
- Lock the straight steering castor facing the direction you are moving (transport direction).
- To activate the straight steering function, press the Black pedal **DOWN** until it clicks in position.
- To release the straight steering function, press the upper part of the Black pedal upwards.



User Instructions

Tilt function

To drain the mattress after showering, tilt either end of the stretcher by pulling the release handle for end tilt (12), located under the end supports on the stretcher (see label on the short ends of the stretcher).



Label at the short ends of the stretcher.

⚠ WARNING:

If the patient needs “Trendelenburg” position, only qualified staff who understand the procedures may operate the shower trolley.

Drainage

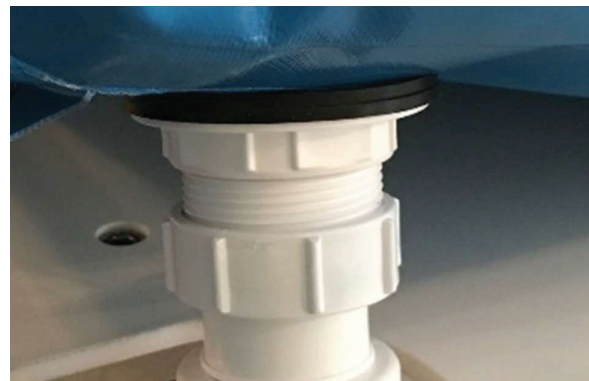
The mattress has double drainages and plugs.

The flexible drain hose simply fits onto either of the two drain outlets on the mattress.

Pull out and bend the hose to prevent splashing when using the shower trolley over a floor drain.

To reduce water dripping on the floor, after use, bend the drain hose nozzle upwards using the plastic hose holder.

The drainage plug for each outlet is fastened with a nylon string on the stretcher frame



User Instructions

Patient handling

- Introduction

⚠ WARNING:

Never leave the patient unattended.

⚠ WARNING:

Always check the water temperature by hand before showering the patient.

⚠ WARNING:

Always use the hose holder to prevent dripping on the floor during transport.

⚠ WARNING:

If the patient needs "Trendelenburg" position, only qualified staff who understand the procedures may operate the shower trolley.

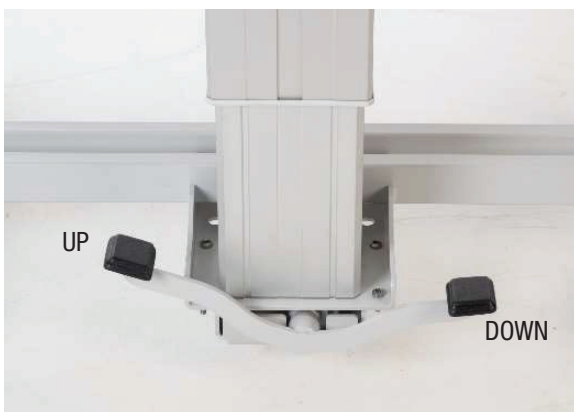
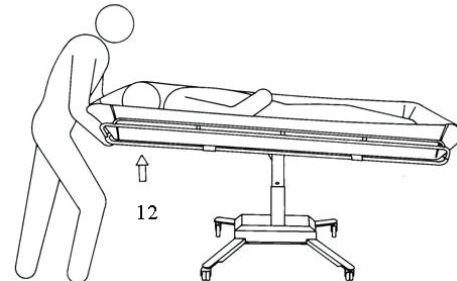
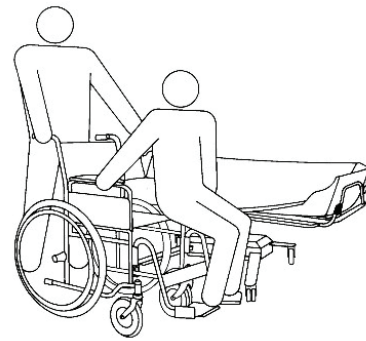
User Instructions

Patient handling

– From wheelchair onto shower trolley

You can raise or lower the stretcher to match the height of the wheelchair and thus ease the transfer of wheelchair patients. Two attendants are recommended.

- Tilt the stretcher to a flat position with the release handle (12) and lower both side rails.
- Lower the Trolley by using the DOWN pedal.
- Place the shower trolley in position and lock all castors with brake.
- Remove the wheelchair armrest and remove or swing the footrest clear on the transfer side.
- Centre the wheelchair close to the shower trolley “nursing side” and lock the wheelchair wheels.
- Transfer patient laterally between wheelchair and shower trolley, supporting the patient under arms
- Position patient comfortably on the stretcher, raise and lock both side rails. Remove the wheelchair. Raise the shower trolley, using the UP pedal.
- Unlock the castor brakes.
- Transport the patient to the hygiene area. To return patient to wheelchair from shower trolley simply reverse steps above in an opposite procedure.



2000-V21

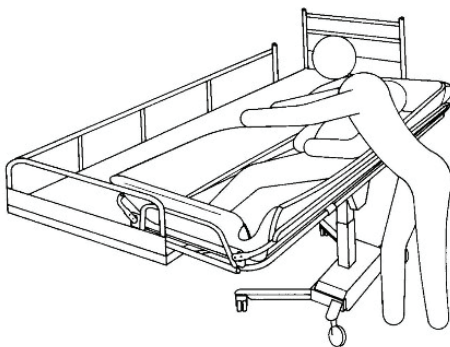
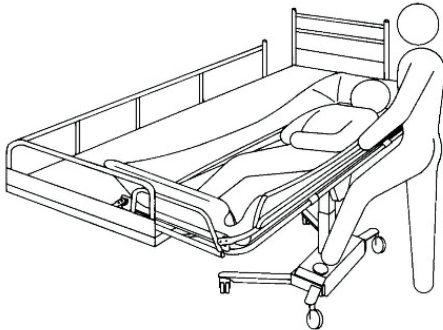
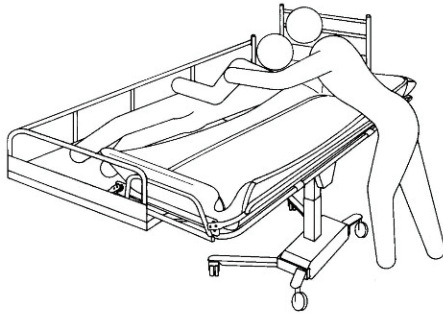


3000-V21

User Instructions

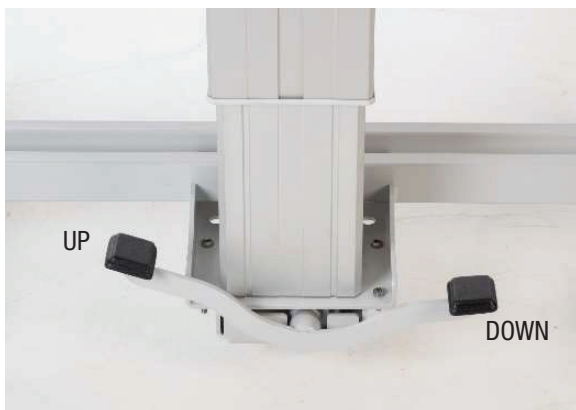
Patient handling

– From bed onto shower trolley

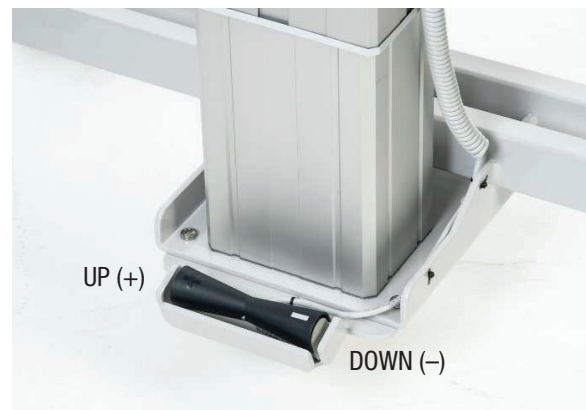


Follow the recommended procedures. Do not omit any steps. Stay in sequence.

- Make sure the bed guard rail is raised on the side of the bed opposite from the shower trolley.
- Turn the patient to his/her side, facing away from the shower trolley.
- Lower both side rails. The side rail on the transfer side stops horizontally.
- Move the shower trolley over the bed and lower the stretcher onto the bed mattress by using the DOWN pedal. Stop lowering when the stretcher is lowered down into the bed.
- Lock the castor brakes.
- Transfer the patient to a comfortable position onto the stretcher mattress.
- Lift and secure both side rails before the shower trolley is pulled away from the bed.
- Raise the stretcher, by using the UP pedal.
- Unlock the castor brakes (5) and pull the shower trolley away from the bed.
- Use the tilt handle to tilt the stretcher into a comfortable position for the patient and adjust the trolley height to an ergonomically transporting height.



2000-V21



3000-V21

User Instructions

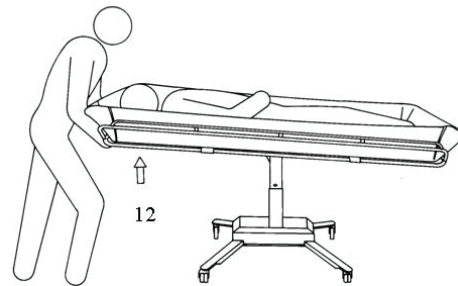
Patient handling

– Showering the patient

When showering, the patient must remain on the shower trolley stretcher, with the side rails securely locked.

Always physically ensure that the water temperature is as desired before and during showering or bathing.

- Place the Shower Trolley foot end over a floor drain or sink and attach the drainage hose and drain plug (if desired).
- Position and activate the brake on the castors with brake.
- Tilt the stretcher for a comfortable position and to aid drainage by pulling the end tilt release handle (12) under the head end on the stretcher.
- Shower the patient. Body fluids and feces must immediately be removed to prevent mattress stains.
- After the patient is showered keep him/her warm wrapped in a bath towel.
- After showering, thoroughly drain the Trolley and replace drain plug and bend the drain hose nozzle upwards to prevent water dripping on the floor.
- Tilt the stretcher to a comfortable angle for the patient.
- Adjust the trolley height to an ergonomically transporting height.



⚠ WARNING:

Never leave the patient unattended.

⚠ WARNING:

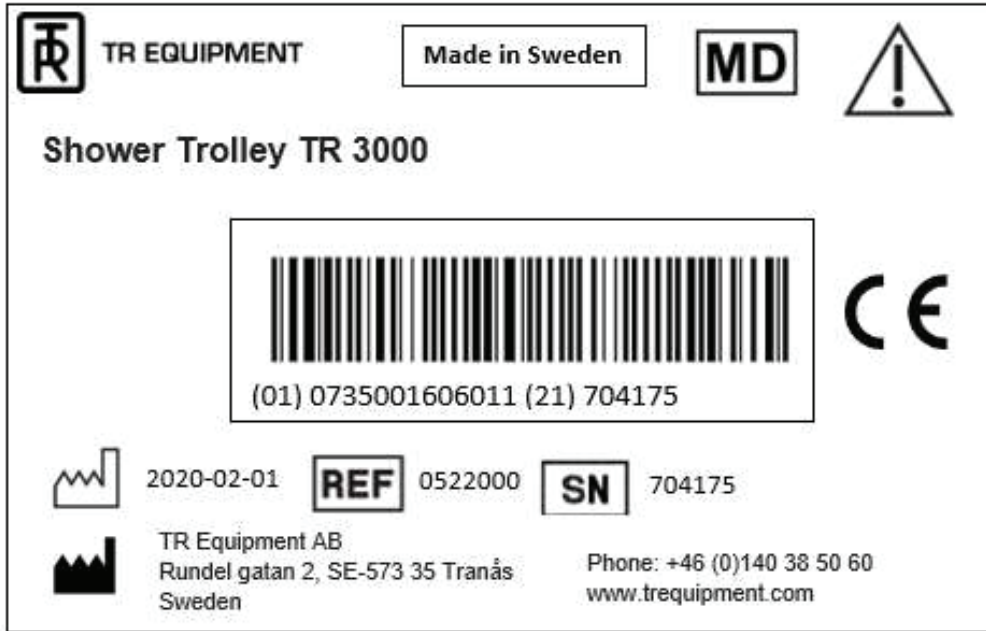
Always check the water temperature by hand before showering the patient.

⚠ WARNING:

If the patient needs “Trendelenburg” position, only qualified staff who understand the procedures may operate the shower trolley.

Labels and Symbols

Product label




 **TR EQUIPMENT** TR Equipment logotype


 **MD** Medical equipment according to MDR 2017/745

 **CE** CE marking

 Manufacturing date

 Factory address

 **REF** Part number

 **SN** Serial number

Labels and Symbols



Mandatory to read the operating manual before use



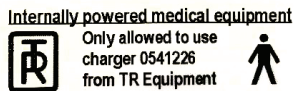
Maximum working load shall not exceed 200kg (440 lb.)



Do not sit on the side parts of the stretcher



Symbol on battery charger (3000-V21): Class II, double insulated



Internally powered medical equipment
Only allowed to use
charger 0541226
from TR Equipment

Internally powered medical equipment
Use only battery charger supplied by TR Equipment Applied Part B



Tilting handle for tilting the stretcher.
Tilting handles placed at the short ends of the stretcher (under the plastic plate).



Label shows which side is the nursing side.

Routine Maintenance

The recommended frequency of these maintenance procedures will depend on how often the equipment is used. It's good practice to establish these procedures and then adjust the frequency as your conditions indicate.

Before every use

Visual inspect the shower trolley:

- Make sure that it stands securely on the floor.
- Make sure that it is possible to raise and lower the shower trolley.
- Make sure that there are no damages on the stretcher, mattress and pillow that might hurt the patient.

Daily maintenance

- Clean the shower trolley according to the cleaning instructions. See table of contents, "Cleaning instructions".

3000-V21

- Charge the batteries daily or whenever the shower trolley is not in use. The batteries cannot be overcharged. See table of contents, "Charging instructions".

Monthly maintenance

- Make sure that all screw and fastenings are tightened properly. It's important that all screws and fastenings are checked and tightened if needed – including those not easily visible, for example under castors.
- Check the shower trolley for signs of damage or high level of wear.
- Inspect side rails to ensure they are in good condition, that all fasteners are in place and has proper function.
- Inspect the castors to ensure they are clean and that the brake function and straight steering function (option) is fully functioning.

2000-V21

- Check that the hydraulic pump is working smoothly throughout the entire lift range.

3000-V21

- Check that the raising and lowering function to ensure smooth operation throughout the entire lift range.
- Remove mattress and plastic plate. Inspect the stretcher signs of wear.

Routine Maintenance

Annual maintenance

Maintenance recommendations for Maintenance every 3 years, Maintenance every 5 years, and Maintenance every 10 years are based on Home Care use and Public use from SS-ISO 17966:2016.

If your 2000-V21/3000-V21 will be used in an institution, contact TR Equipment for a customized maintenance schedule

Repeat Before every use, Daily maintenance, and Monthly maintenance

2000-V21/ 3000-V21

- Check that the gas springs are working properly. Use the tilt handle and tilt the stretcher.
- Make sure the stretcher is locked into position and doesn't move up and down.

If you don't have the Service and maintenance manual, contact EZ Way or your EZ Way representative to get a new one. See contact info on www.ezlifts.com.

WARRANTY

Maintenance and/or repairs may only be carried out by the manufacturer or qualified staff authorized by the manufacturer, otherwise warranty expires immediately.

IMPORTANT

Shower trolleys should immediately be taken out of operation if defects or irregularities are noted. Prompt service is required.

Routine Maintenance

Maintenance every 3 years

- Repeat Before every use, Daily-, Monthly- and Annual maintenance.

Replace following parts 3000-V21:

- Replace both 12V batteries Part.no: 819030
- Replace both drainages Part.no: 829392
- Replace drainage plugs Part no: 829391
- Replace drainage hose Part.no: 820818-4224 (1M) / 820818-4224-25 (2,5M)

Maintenance every 5 years

- Repeat Before every use, Daily-, Monthly- and Annual maintenance.
- Inspect the quality of the mattress and pillow.

Replace following parts:

- Replace castors:
Castors with brake Part.no: 851760
Straight steering castors (option) Part.no: 851761
- Replace Gas springs Part.no: 850268

Maintenance every 10 years

Repeat Before every use, Daily maintenance, Monthly maintenance, Annual maintenance, Maintenance every 3 years, and Maintenance every 5 years.

- Replace the lifting column (3000-V21) Part.no 7440006
- Replace the hydraulic pump (2000-V21) Part.no: 200121
- Replace the circuit board (3000-V21) Part.no: 819354-02

WARRANTY

Maintenance and/or repairs may only be carried out by the manufacturer or qualified staff authorized by the manufacturer, otherwise warranty expires immediately.

IMPORTANT

Shower trolleys should immediately be taken out of operation if defects or irregularities are noted. Prompt service is required.

Disposal / Recycling

Recycling of the equipment

- Pillow and mattress are produced in lacquered PVC fabrics and filling materials are in Polytene. Pillow and shall be recycled as flammable materials.
- Plastic plate shall be recycled as flammable material.
- Metal parts shall be recycled in Metal recycling
- Castors are produced in Polyurethane and shall be recycled as flammable materials.
- Bolts shall be recycled as metal parts.
- 2000-V21:
Hydraulic pump shall be recycled as metallic waste.



! IMPORTANT

When replacing batteries, deposit the batteries in accordance with national regulations.



! IMPORTANT

When replacing electrical and electronic parts/components, deposit the parts/components in accordance with national regulations.

Recycling of packaging materials.

- Wrapping materials is cardboard box and a wooden pallet.
- Cardboard box, cardboard bottom and cardboard lid shall be recycled as cardboard and pallet shall be recycled as wooden materialsw

Cleaning Instructions

General guidelines for cleaning detergent

- Nonabrasive type of detergent
- Less than 5 Wt% chloride content
- Less than 3 Wt% alcohol content

⚠ WARNING:

Never use solvent based or strong alkaline cleaning liquids, which can damage or stain the mattress and pillow surfaces.

⚠ WARNING:

Never clean the mattress and/or pillow in gas sterilization unit. Mattress and pillow will explode.

⚠ WARNING:

Wipe the stretcher dry to prevent water dripping on the floor.

⚠ WARNING:

Do not let the shower trolley dry in sunlight or close to a heater. This will cause discoloration. Avoid damage from overheating.

⚠ IMPORTANT

The user/operator is responsible selecting the correct cleaning liquid/detergent and additives according to local regulations and safety standards. Please read the cleaning liquid/detergent supplier's instruction manual and find out whether the product is suitable for use with this product.

Cleaning Instructions

2000-V21/3000-V21 shower trolley

The User/operator is responsible for selecting the detergents and additives. Please read the detergent supplier's instruction manual and find out whether the product is suitable or not.

The shower trolley must be cleaned immediately after use. Dry the unit well before fastening the mattress.

Do not use solvent based cleaning liquids, which can damage or stain the mattress and pillow surface.

The shower trolley has a removable mattress and pillow made of PVC fabric. For a thorough cleaning of the shower trolley the mattress and pillow must be removed.

- Loosen the mattress straps (4pcs).
- Remove the plastic plate/plates.
- After cleaning the mattress and pillow thoroughly rinse them with the patient shower. Wipe and dry before using the shower trolley again

Use a sponge or brush, and promptly remove any soap or lime deposits, and faeces to avoid spots/stains. Always rinse thoroughly with fresh water after using cleaning detergents.

Regular cleaning prolongs the lifetime of the product.

Mattress, re-attachment:

The mattress is attached to the stretcher with the fastening straps (4pcs). Press the female strap button onto the male button on the inside of the stretcher frame.



Mattress straps



Fixing point on stretcher frame

Cleaning Instructions

2000-V21/3000-V21 shower trolley

- Select cleaning interval according to the degree of contamination.
- Contaminations should be removed as soon as possible in order to prevent material damage.
- Do not clean material with tools which might damage surfaces. Use a towel, sponge or a soft brush.
- Store mattress and pillow in a clean and dry condition only.
- Use natural, slightly alkaline detergent containing no solvents.
- Do not use products such as trichlorethylene that will damage the PVC surface on mattress and pillow.
- Do not use iodine based, disinfectants, this can discolor the PVC fabric on mattress and pillow.
- Do not use water hotter than 45°C / 113°F
- Avoid excessive friction and abrasive detergents when cleaning as this may damage the surfaces of the shower trolley.

Cleaning process for mattress, pillow and plastic plate:

- Lightly brush off loose dirt particles first, then rinse material with clear water.
- Spray on the cleaning product in indicated concentration or apply with a clean towel. Dose the amount according to degree of contamination.
- Allow the cleaning product to act for 2-5 minutes and wipe off with a towel.
- Rinse off dirt and cleaning product residues thoroughly with cold or lukewarm water to prevent material discolorations.
- Store mattress and pillow only if it's clean and completely dry.

