



EZ Way, Inc.

“Your Total Safe Patient Handling Partner”

Swing Reclining Bathtubs

Operator’s Instructions

Version 2021-09-01

Always study this manual carefully before you attempt to operate your bathing system. The operator/user must always have access to the operating manual.

This bathing system is intended for professional use only where the patient will be under supervision of trained personnel.

Operating instructions and recommended maintenance procedures are explained in the following pages

If you have any questions regarding the operation or maintenance of your bathing system and cannot find the answer in this manual, please contact us.

The system is designed for years of trouble-free operation, with proper use and maintenance.

Bathtub and shower water must be run at least every three days.



Registered at Medical Products
Agency, Sweden,
as a MD Class 1 product,
MDR 2017/745.

EZ Way, Inc.
PO Box 89
Clarinda, IA 51632
1-800-627-8940
www.ezlifts.com

⚠ WARNING:

**Mandatory to read the manual before
using the bathtub**

⚠WARNING: Cancer and Reproductive Harm - www.P65Warnings.ca.gov.

Form 2-382
REV. 02/28/2023

Table of Contents

Safety Notes	2	How to Empty the Bathtub	30
Manufacturer	3	How to Step Out of the Tub.....	31
Introduction	4	Option, Air Spa	32
Unpacking.	5	Option, LED light	33
Installation Instructions	6	Option, Music.....	34
Installation Drawing	10	Option, Cleaning	35
Water Connections Drawing	11	System Components	36
Intended Use.	12	Thermostatic mixer	36
Safety Instructions	13	Labels and Symbols.	37
General Safety Instructions	13	Troubleshooting	39
In Case Of An Accident	15	Routine Maintenance	41
Features and Controls	16	General Information / Warranty	41
Product Description	18	Thermostatic Mixer, Important Information.....	42
Possible Configurations / Options	19	Before Every Use	43
Technical Specification.	20	Daily Maintenance.....	43
General Technical Specifications.....	20	Monthly Maintenance	44
Drawings.....	22	Annual Maintenance	45
User Instructions.	24	Annual Maintenance - For Other Options	46
How to Fill the Bathtub, Manual Filling.....	24	Every 3 Years Maintenance:.....	47
How to Fill the Bathtub, Autofill (Option).....	25	Every 5 Years Maintenance	48
How to Step Into the Bathtub	26	Disposal / Recycling	49
How to Incline / Tilt the Bathtub	27	Cleaning Instructions	50
How to Adjust the Height of the Bathtub (Option) ..	27	Maintenance Record.	52
How to Use the Shower, Manual.....	28	Training Record	53
How to Use the Shower, Autofill (Option).....	29		

Manufacturer:



TR Equipment AB
Rundelgatan 2
SE-573 35 Tranås
Sweden

USA Distributor:



EZ Way, Inc.

EZ Way Inc.
P.O. Box 89
Clarinda, IA 51632
(800)627-8940
Fax (712)542-1899
www.ezlifts.com

Introduction

Dear Customer,

Thank you for choosing one of our quality products. We hope you enjoy the Swing reclining bathtub.

This manual shall, in conjunction with staff training, ensure that the operator/user is always using and/or operating the Swing correctly.

New users must be trained by qualified and experienced staff.

TR Equipment AB requires that each user has read and understands the entire operating manual and that they can apply the instructions as specified. This applies to anyone who was not present at the in-service.

This instruction manual should be kept easily accessible for every user. Copying the whole manual is encouraged since its sole purpose is to improve the standard of training and safety.

Please download another copy from EZ Way, Inc. at our website, www.ezlifts.com, or call 800-627-8940 to request a copy if the instruction manual is lost or unusable, or if it has become illegible over time.

If you need further information, do not hesitate to contact EZ Way, Inc.

WARNING:

Mandatory to read the manual before using the bathtub.

WARNING:

Make sure you have read, understood, and applied the information on the following pages before using the bathtubs.

Unpacking

- When you receive your Swing bathtub from us it's placed on a pallet surrounded by a wooden crate. **The wooden crate is wrapped in plastic, carefully cut, and remove the plastic.**
- Start unpacking the bathtub by removing the screws that attach the wooden crate to the pallet. **DO NOT** use any sharp tools that may scratch the bathtub.
- **Carefully lift off the cardboard frame from the pallet. When lifted, do so briefly and use at least two people.**
- **Carefully lift off the bathtub from the pallet. DO NOT push or pull the bathtub!**

WARNING:

Never push or pull the bathtub from the pallet!

Always lift the bathtub from the pallet and into position!

Installation Instructions

On-site Preparation:

Water connections:

- 1/2" /DN15 (hot and cold) water connections.
- Check valves and shut off valves with filter according to local regulations (not supplied at delivery).
- Incoming water pressure 1-5 bar.

Drainage:

- Flexible drain tube 1.6 in.

Electrical connections:

- Power supply 110V/60Hz.
- Fuse 10A.
- The power cord of the bath must be connected without interruption to a waterproof cable outlet box with an outlet at the bottom and fitted with a cable gland.
- The bathtub may only be connected to the power supply via a cord that is connected to a GFCI (Ground Fault Circuit Interrupter) including an easily accessible switch near the bathtub.

WARNING:

All electric conduit, fitting and wiring to bath supplied must be installed by a certified electrician in accordance with local regulations. Main switch, main fuse and earth circuit breaker are NOT included at delivery and must be supplied by others.

WARNING:

Connection by socket and plug is not allowed.

Installation Instructions

The Swing bathtub is delivered fully assembled. The bathtub shall be connected to water, power supply, and the drainage at the customer's premises. The Swing must be installed by certified electrician and plumber according to local/national guidelines and regulations.

Once the bathtub is in its final position:

- Flush the pipes at the premises thoroughly before connecting the Swing bathtub. This to protect the tub and fittings from dirt.
- Connect the Swing to the water supply in the building. The bathtub is equipped with two stainless steel braided, flexible connection hoses ½ in. Connect the hoses to the water supply in the bathroom. Flexible hose with RED stripe shall be connected to the hot water and flexible hose with BLUE stripe shall be connected to the cold water.
- Check valves and valves shall be installed between wall and flexible hoses from the bathtub (not supplied at delivery).
- Connect the bathtub to the power supply according to local/national guidelines. Single phase 110V/60Hz – 10A protected by a 30mA differential circuit breaker. The power supply must be connected to a junction box (IPX5) with the outlet at the bottom, fitted with a cable gland. To comply with regulations, the power supply must be at a minimum distance of 24 in. from the edge of bathtub (See installation drawing).
- Connect the drain tube to the 1.6 in. drainage outlet on the bathtub.
- The distance between the bathtub and wall (long sides) must be a minimum of 24 in. (See installation drawing).
- The distance between bathtub and wall at the front of the bath must be at least 4 in. (See installation drawing).

Installation Instructions

Adjust the bathtub to level by adjusting the adjustable feet on the bathtub frame.

Carry out a functional test:

- Test the reclining function by pressing the control buttons on the tub.

Functional test options Swing:

- Test the height adjustment (if applicable) by pressing the control buttons on the tub.
- Test the autofill function (if applicable) by pressing the control button on the tub and adjust the temperature by turning the temperature control knob.
- Test the LED light (if applicable) by pressing the control button on the tub.
- Test the cleaning system (if applicable) by inserting the container with cleaning detergent in the support pocket. Connect the mixer hose to the container. Open the valve for the cleaning function, press the shower handle and make sure that water and cleaning detergent is mixed properly. Adjust the mixing percentage by turning the +/- adjusting knob next to the support pocket.

Carry out a functional test of the thermostatic mixer:

- The thermostatic mixer is pre-set to a Maximum outlet temperature of 109.4°F, at ideal installation conditions at the factory.
- Measure the water temperature and make sure that the maximum outlet temperature is 109.4°F.
- If the maximum outlet temperature is higher an adjustment needs to be done according to the instructions from the manufacturer of the thermostatic mixer (separate manual supplied at delivery).

Installation Instructions

Carry out a Scalding safety function test:

- Start filling the tub with water, shut OFF the cold-water supply to the thermostatic mixer. Within 2 seconds the thermostatic mixer shall be shut OFF.
- If the thermostatic mixer continues to supply only HOT water the thermostatic mixer needs to be replaced. DO NOT use the tub until the thermostatic mixer has been replaced.

Check that the diverter mechanism on the thermostatic mixer allows you to switch between the tub filling and shower function.

Check the cold/hot water connections are installed properly and without leakage.

Check that the drain hose is free from damages.

Check that the power cord is free from damage and properly connected.

WARNING:

Connection by socket and plug is not allowed.

WARNING:

All electric conduit, fitting, and wiring to bath supplied must be installed by a certified electrician in accordance with local regulations. Main switch, main fuse and earth circuit breaker are NOT included at delivery and must be supplied by others.

WARNING:

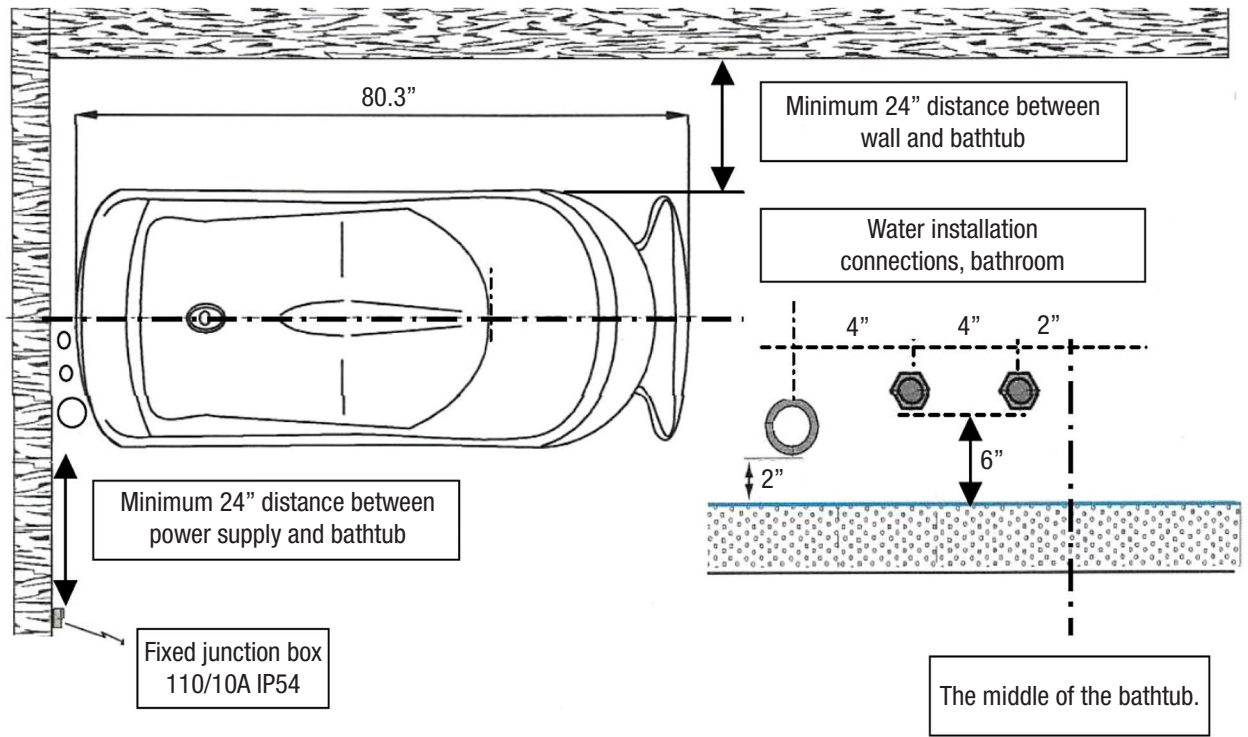
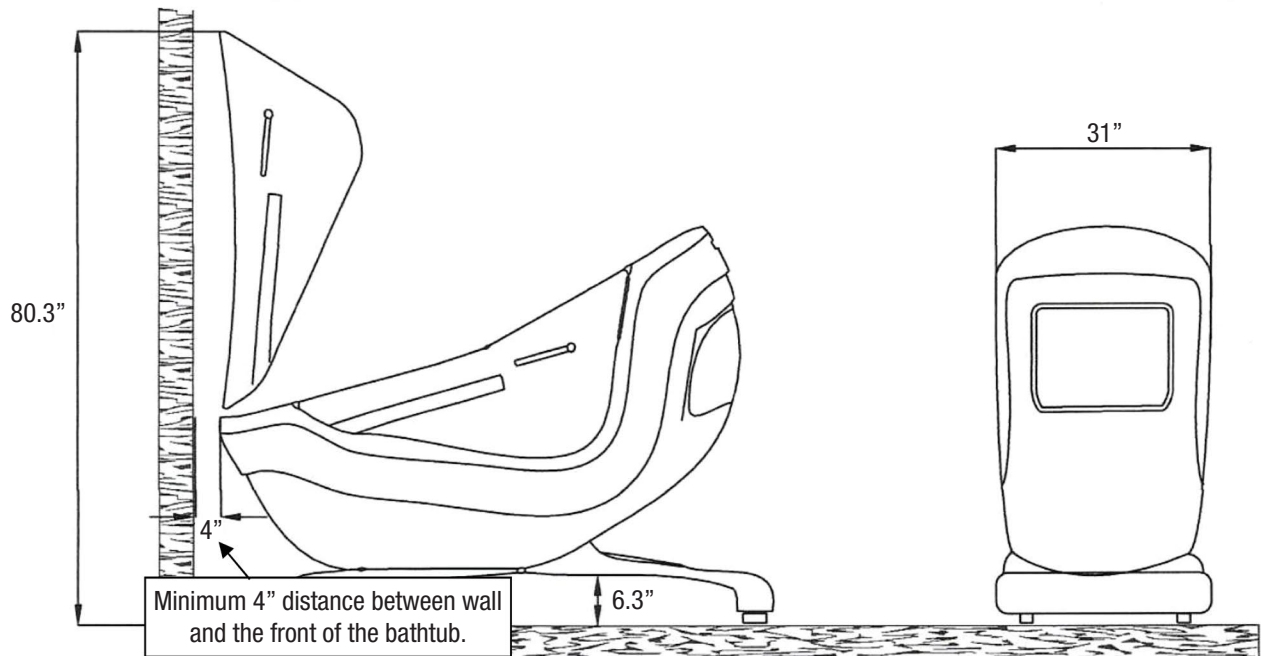
The bathtub may only be used after it has been successfully and correctly installed.

WARNING:

ALWAYS physically check the water temperature by hand before and during bathing to ensure correct function of the thermostatic mixer.

Installation Instructions

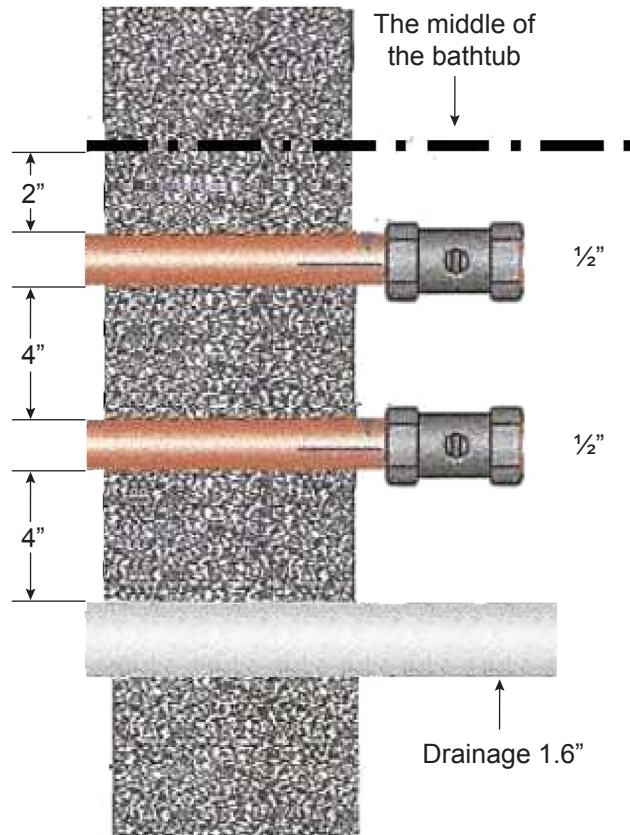
Installation Drawing



Installation Instructions

Water Connections Drawing

Installation drawing. Water connections, bathroom



Intended Use

- The Swing is intended for bathing and showering patients.
- The Swing is intended to be used for short term use <60 min when in contact with breached or compromised skin.
- The Swing is intended to be used indoors in all types of facilities and hygiene areas.
- The Swing is NOT intended to be used with patients that exceed a weight of 330 lb.
- The patient is typically a person who is unable to take care of their personal hygiene.
- The user is any adult person who is capable of reading and understands the operator's instructions manual, and is qualified to care for dependent persons/patients.
- Before using the Swing, the user must read and understand the operator's instructions manual.

WARNING:

Mandatory to read the manual before using the bathtub.

WARNING:

Make sure you have read, understood, and applied the information on the following pages before using the bathtubs.

WARNING:

Never leave the patient unattended.

WARNING:

Always assist the patient when entering the bath.

Safety Instructions

General Safety Instructions

General safety instructions

- The Swing (all models) may only be operated by qualified and trained staff.
- New staff must be trained by qualified and experienced staff.
- Never leave the patient unattended.
- All safety and operating instructions must be read, understood, adhered to, and applied when using the bath.
- Only step into the Swing bathtub when the bathtub is in the seated position and when the door is wide open. Always assist the patient when stepping into the bath.
- Only step out of the Swing bathtub when the bathtub is in the seated position and when the door is wide open. Always assist the patient when stepping out of the bath.

WARNING:

Mandatory to read the manual before using the bathtub.

WARNING:

The equipment shall not be used in any way that varies from the safety precautions and operating procedures described in this manual. The equipment shall not be operated by anyone until the user has read and understands the Operator's Instructions.

WARNING:

Patient shall never be left unattended.

WARNING:

Always check the water temperature by hand before using the shower on the patient to prevent patients from being scalded or shocked by cold/hot water.

WARNING:

ONLY step into and out of the bath when it's in the seated position

Safety Instructions

General Safety Instructions

General Safety Instructions

- The bathtub may only be installed and connected according to TR Equipment AB Installation instructions.
- The bathtub may only be connected to the power supply via a cord that is connected to a GFCI (Ground Fault Circuit Interrupter) including an easily accessible switch near the bathtub.
- The Cold and Hot water supply and Electrical wiring is the responsibility of the buyer. All electrical wiring and plumbing must be performed by a certified electrical or plumbing installation company.

WARNING:

All electrical installations must be performed by a certified electrical installation company and according to local regulations.

WARNING:

All plumbing installation must be performed by a certified plumbing installation company and according to local regulations.

Safety Instructions

In Case Of An Accident

Note:

In case of a serious incident when using the Swing, this should be reported to the manufacturer, EZ Way, Inc., and to the local authorities where you are established.



TR Equipment AB
Rundelgatan 2
SE-573 35 Tranås
Sweden

www.trequipment.com
info@trequipment.se
Phone: +46 (0)140 38 50 60

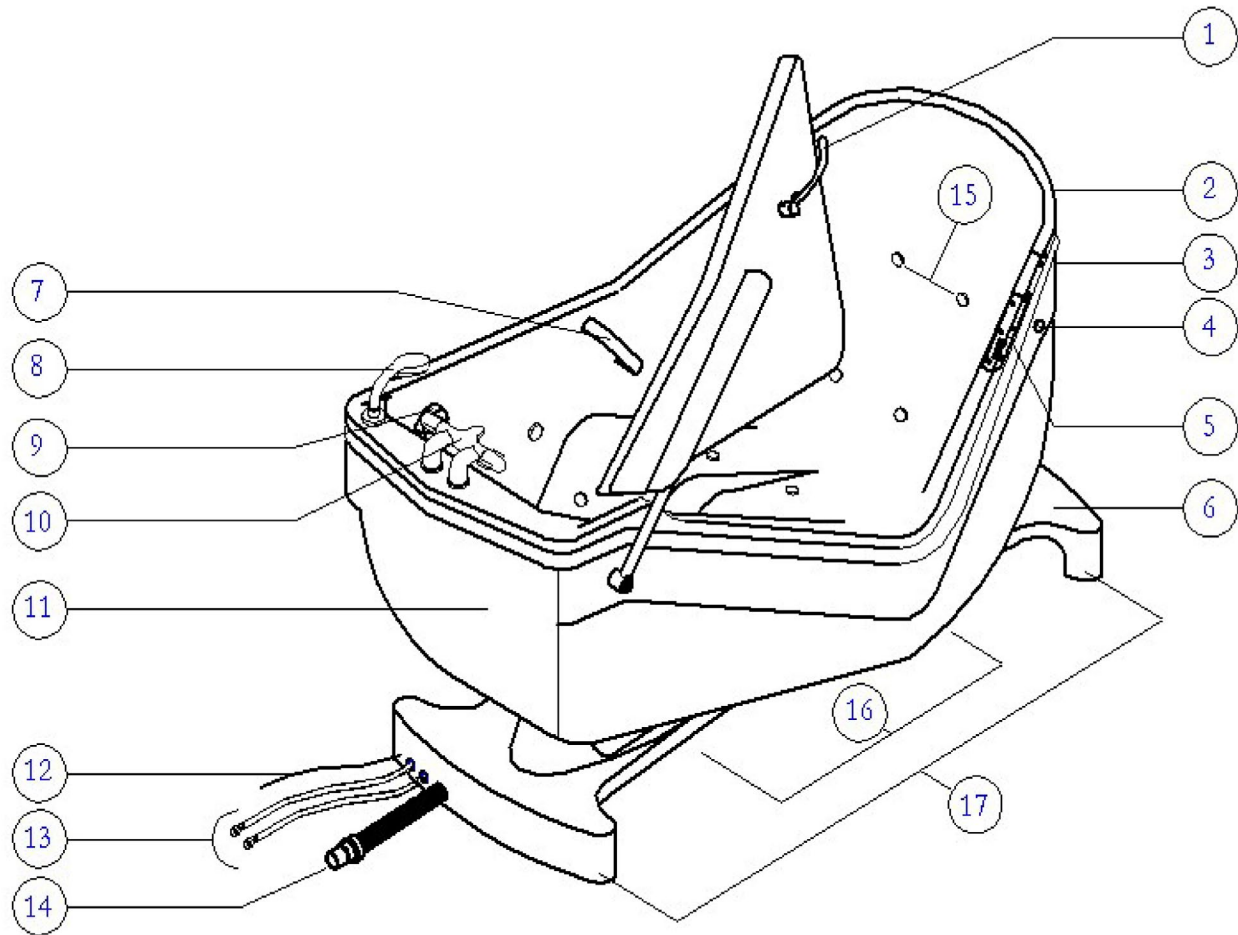


EZ Way, Inc.

EZ Way, Inc
PO Box 89
Clarinda, IA 51632

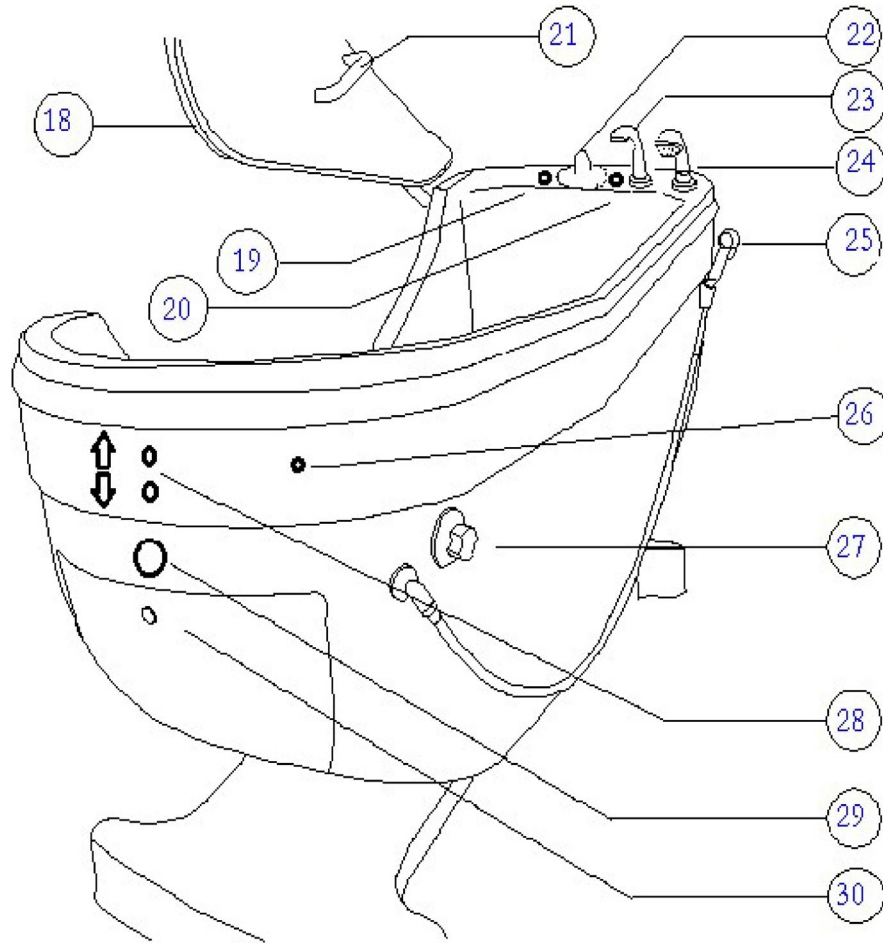
(800)627-8940
www.ezlifts.com

Features and Controls



1	Door closure handle	10	Thermostatic mixer
2	Rear service hatch (Air Spa, cleaning container)	11	Front service hatch (fittings & door mechanism)
3	Control buttons, Inclination (Reclining)	12	Power cord
4	Control button, Air Spa	13	Flexible connection hoses, hot and cold water
4	Control button, LED	14	Drainage tube
5	Door lock	15	Air Spa nozzles 12pcs (Option)
6	2-part cover for the chassis	16	Access area for patient lift
7	Support handle	17	Adjustable feet
8	Patient shower		
9	Overflow drainage, control button Open/Close		

Features and Controls



18	Silicone seal for the door
19	N/A
20	Control button, autofill (Option)
21	Support handle
22	Thermostatic mixer
23	Filling spout
24	Shower
25	Cleaning (Option)
26	Control button, music (option)
27	Open/Close valve for Cleaning (Option)
28	Control button, height adjustment (option)
29	N/A
30	Rear service hatch

⚠ WARNING:

Always close the Open/Close valve (part 27) for cleaning after use!

Product Description

The Swing is delivered as a reclining bathtub and is also available in a reclining & height adjustable model.

The color of the Swing is white with a blue silicone stripe.

The Swing is designed for bathrooms in nursing homes, clinics, and hospitals and consists of:

- As a care giver you have access to the patient from three sides.
- The tub, door, side cover and maintenance hatch are made of fiberglass reinforced polyester covering hoses, drainage, enclosures, actuators, and options.
- The door easily opens upwards, allowing the patient to be seated in the bathtub.
- Once the patient is seated, the caregiver can help the patient into a comfortable position before closing the door.
- The patient can be transferred to the bath with the aid of a mobile patient lift, bath lift, ceiling lift, or with a sit-to-stand lift.
- The stainless-steel frame under the bathtub is covered by a 2-part plastic cover.
- The 1/2 inch cold and hot water inlet hoses are located at the tap end. The maintenance hatches at the head and tap end can be removed for repair and maintenance work.
- Two built in handles offer additional support when getting in and out of the tub.
- Overflow protection and pop-up drain which opens and closes the drainage system by rotating the overflow valve.
- The thermostatic mixer is designed to regulate the water temperature to the bathtub filling spout and to the handheld shower. See separate operating manual for the thermostatic mixers used on the Swing (supplied at delivery) for further information.
- The shower handle with shower hose is to be used to shower the patient and to rinse the equipment after cleaning.
- Control buttons are used to incline (recline) the bath.
- Adjustable feet can be adjusted if the floor should be uneven.
- There are service hatches both ends of the bathtub.
- The height adjustable Swing (option) can be adjusted 4 in.
- Control buttons are used for height adjustment (option).

Product Description

Possible Configurations / Options

Product Description

Swing, reclining bathtub
incl. 1.6 in. drainage outlet and thermostatic mixer & pillow.

Version

110V/60Hz

TR Swing, Options

Thermostatic mixer TMV2 (not combined with Autofill)	Thermostatic mixer TMV3 (Not combined with Autofill)	
Prepared for thermostatic mixer	Height adjustable 4 in.	Air Spa
Autofill (not for TMV2 and TMV3)	Cleaning	LED light
Music		

Technical Specification

General Technical Specifications

Swing, reclining bathtub.

Input Voltage	1-Phase 110V/60Hz
Control voltage	24V DC
Maximum working load	Patient weight shall not exceed 330 lb.
Water volume	53 gallons (200L)
Outside length incl. chassis	80.3 in.
Outside width	31.5 in.
Inside width (head end)	26.2 in.
Inside width (foot end)	23.6 in.
Inside width (tub body)	25.2 in.
Height, lowest & seated position	53.5 in.
Height, lowest & inclined position	47.25 in.
Height with open door, seated position	80.3 in.
Height with open door, seated position	80.3 in.
Overall weight	309 lb.
Access height	22.4 in.
Clearance between floor and the bottom of the chassis	6.3 in.
Recommended water pressure	1-5 bar
Maximum static water pressure	5bar
Recommended hot water temperature supplied to mixer	140°F (Maximum 158°)
Maximum hot water temperature supplied from mixer	109.4°F
Connection hoses hot and cold water	DN15 / ½"

TR Swing, inclinable & height adjustable bathtub

Maximum height, inclined position (Option, adjustable height)	51.2 in.
Adjustable height, stroke length (Option)	4 in.
Lifting speed	10mm/s
Lifting time (filled bathtub)	12 seconds (from lowest to highest position)
Lowering time (filled bathtub)	10 seconds (from highest to lowest position)

Technical Specification

General Technical Specifications

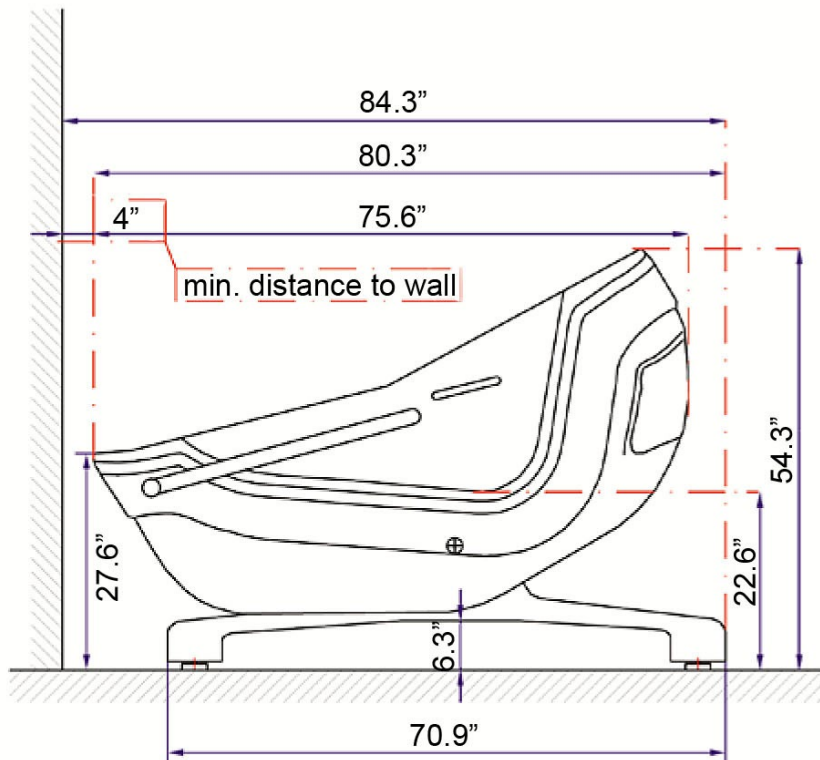
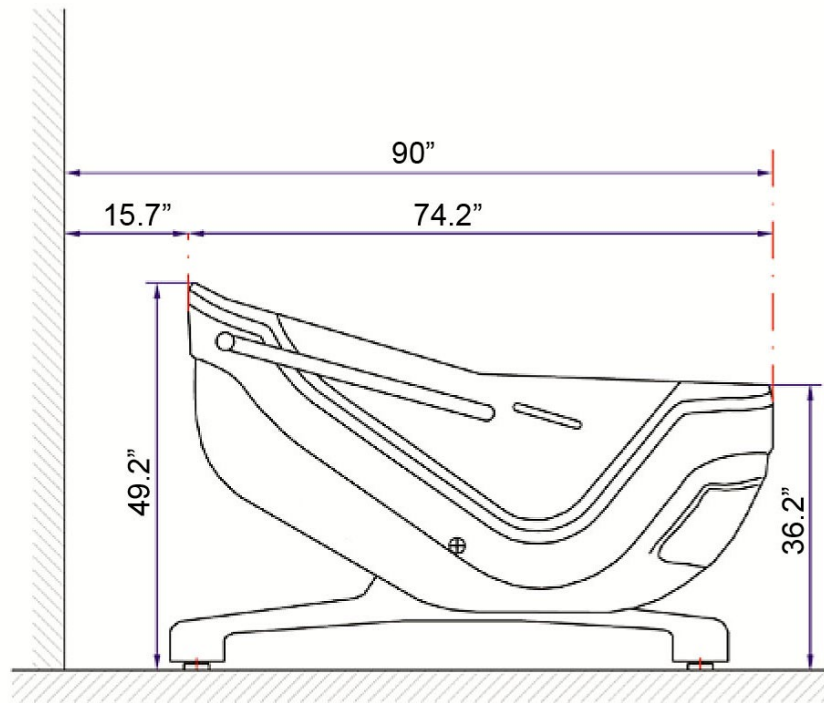
Transport and storage

Ambient temperature

-20°C - +70°C
-4°F - +158°F

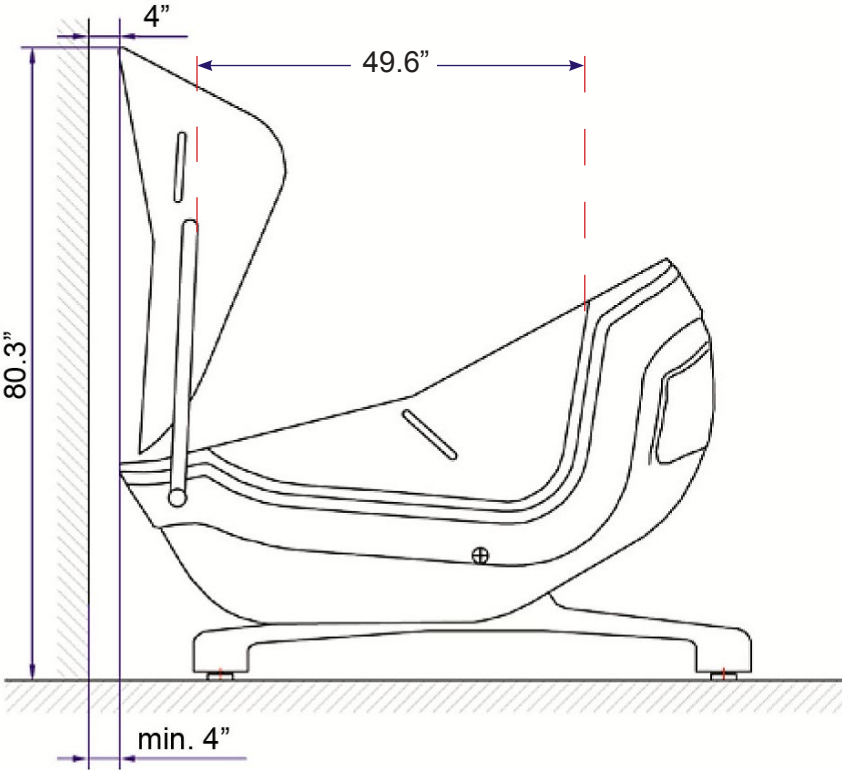
Technical Specification

Drawings



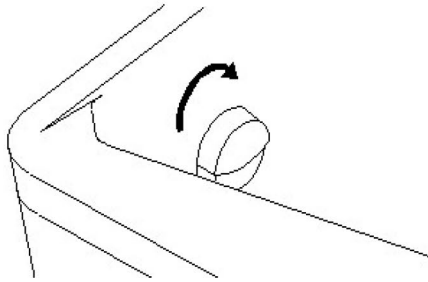
Technical Specification

Drawings

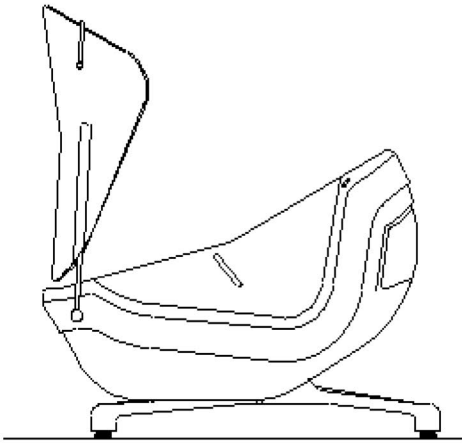


User Instructions

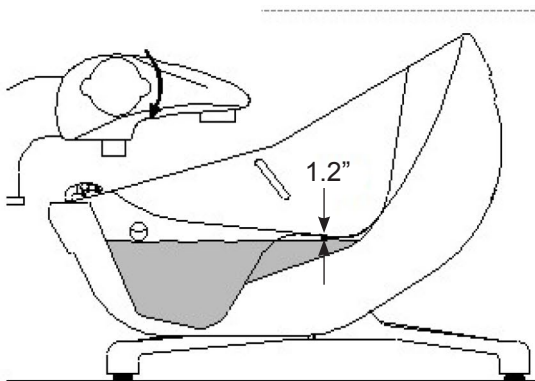
How to Fill the Bathtub, Manual Filling



Close the drainage



Lowest position & seated position



Turn the filling knob

Fill the bathtub with water, manual filling:

- The foot end is filled first to save time and avoid the patient getting cold.
- Close the drainage by turning the knob clockwise.
- Make sure that the bathtub is in the lowest and seated position.
- Make sure that the door is wide open. (To open the door, turn the door handle clockwise)
- Start filling the bathtub by turning the filling knob on the thermostatic mixer to an open position.
- Fill the bathtub up to 1.2 in, below the entering level.
- Empty the bathtub by turning the knob clockwise.

⚠ WARNING:

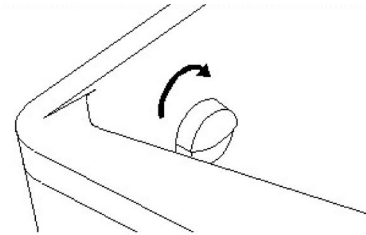
Always check the water temperature by hand or with a bath thermometer before the patient gets into the bath.

User Instructions

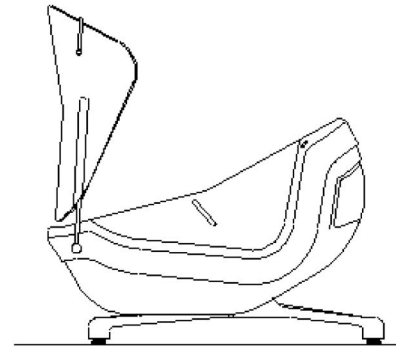
How to Fill the Bathtub, Autofill (Option)

Fill the bathtub with water, autofill (option):

- The foot end is filled first to save time and avoid the patient getting cold.
- Close the drainage by turning the knob clockwise.
- Make sure that the bathtub is in the lowest and seated position.
- Make sure that the door is fully open. (To open the door, turn the door handle clockwise)
- Press the autofill control button no.1 to start filling the bathtub. The bathtub filling will stop automatically when the water reaches the maximum level. (Maximum level is approx. 1.2 in. below the entering level.)
- If you want to add more water in inclined position press button no.2.
- Adjust the temperature by turning the temperature knob on the thermostatic mixer



Close the drainage

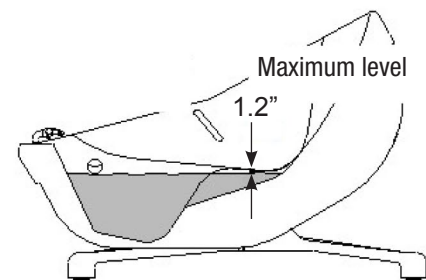


Lowest position & seated position



Control buttons (1 & 2)
Tub filling

Control button (3)
Shower



⚠ WARNING:

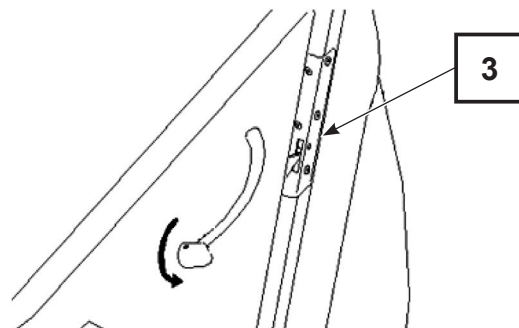
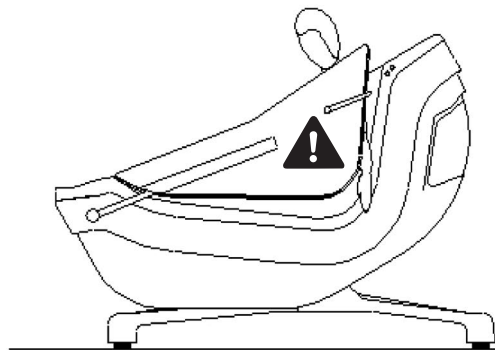
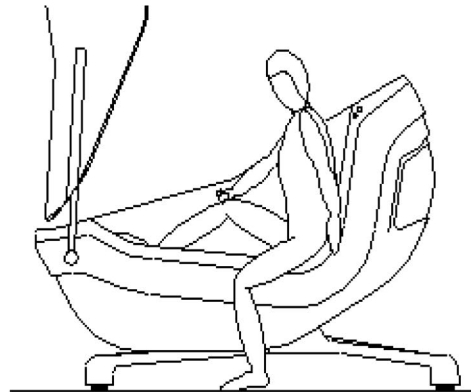
Always check the water temperature by hand or with a bath thermometer before the patient gets into the bath with assistance from caregiver.

User Instructions

How to Step Into the Bathtub

Step into the bathtub:

- When the bathtub is filled to the maximum level approx. 1.2 in. below the entering level, the patient can enter the tub with assistance from caregiver.
- Patients can be transferred to the bathtub with the aid of mobile patient lift, ceiling lift or with a sit-to-stand lift.
- Once the patient is seated, the caregiver can help the patient into a comfortable position and with the arms crossed over the chest.
- Before closing the door make sure that no body parts can be pinched.
- When closing the door, hold the door as it lowers. When the door bolt is in level with the locking mechanism, you can turn the handle counterclockwise to lock it.



⚠ WARNING:

Always check the water temperature by hand or with a bath thermometer before the patient gets into the bath with assistance from caregiver.

⚠ WARNING:

Always enter and step out of the bath when the bath is in the lowest position and in seated position.

⚠ Caution:

Make sure the bolt is always back in before lowering the door to close it. Suddenly closing the door with the bolt completely out is liable to damage the blue bath seal. (see arrow on picture no.3)

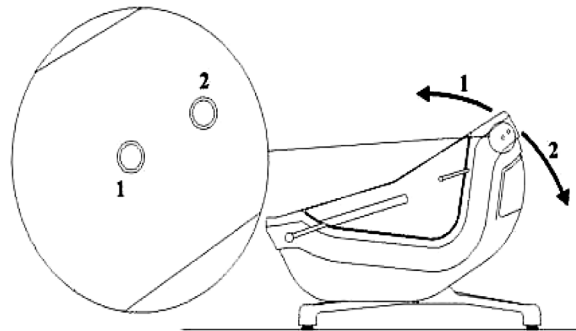
User Instructions

How to Incline / Tilt the Bathtub

How to Adjust the Height of the Bathtub (Option)

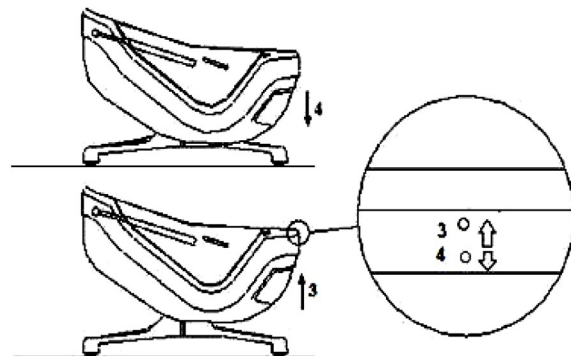
Tilt the bathtub:

- From the seated position, you can tilt the bathtub backwards to desired position by pressing control button no.2.
- You can tilt the bathtub back to the seated position (forward) by pressing control button no.1.



Height adjustment (option):

- After tilting the bath to desired position, you can raise the bathtub to an ergonomic working height by pressing control button no.3.
- Lower the bathtub by pressing control button no.4.

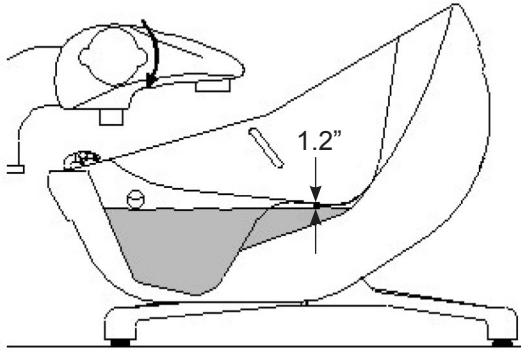


⚠ WARNING:

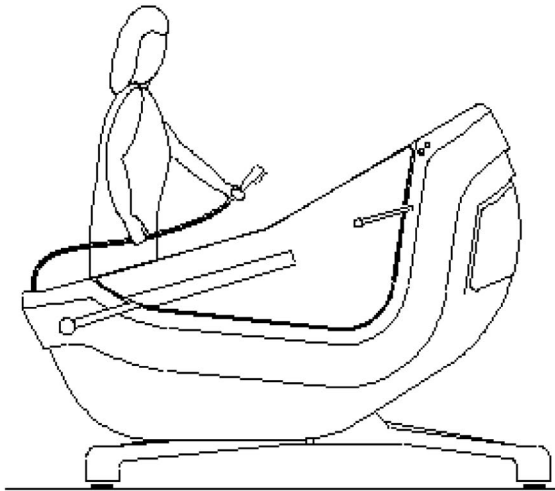
Never leave patient unattended.

User Instructions

How to Use the Shower, Manual



Turn the filling knob



Showering, manual thermostatic mixer:

- The patient shower hose is stored in the double shell of the bath.
- Start the shower by opening the filling knob on the thermostatic mixer. When water comes out, pull the shower knob on the thermostatic mixer. Hold the shower handle aiming towards the water when pulling the knob.
- Adjust the water temperature by turning the temperature knob on the thermostatic mixer.
- Turn the shower off by turning the filling knob on the thermostatic mixer counterclockwise to close the thermostatic mixer.
- When re-stowing the patient shower hose again, carefully guide the shower hose into the housing.

⚠ WARNING:

Never leave the patient unattended.

⚠ WARNING:

Always check the water temperature physically, by hand or with a bath thermometer before showering the patient.

User Instructions

How to Use the Shower, Autofill (Option)

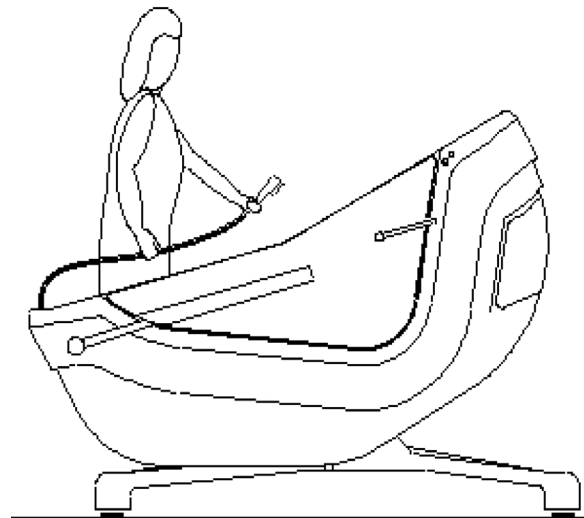
Showering, autofill (option):

- The patient shower hose is stowed in the double shell of the bath.
- Start the shower by pressing the shower control button no.3 next to the thermostatic mixer. Hold the shower handle aiming towards the water when pressing the control button.
- Adjust the water temperature by turning the temperature knob on the thermostatic mixer.
- Turn the shower off by pressing the control button no.3 again.
- When re-stowing the patient shower hose again, carefully guide the shower hose into the housing.



Control buttons (1 & 2)
Tub filling

Control button (3)
Shower



⚠ WARNING:

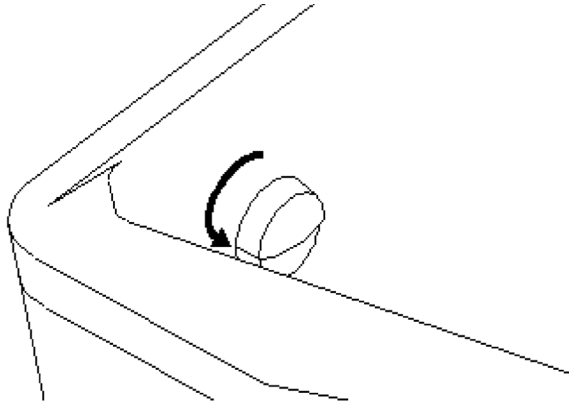
Never leave the patient unattended.

⚠ WARNING:

Always check the water temperature physically, by hand or with a bath thermometer before showering the patient.

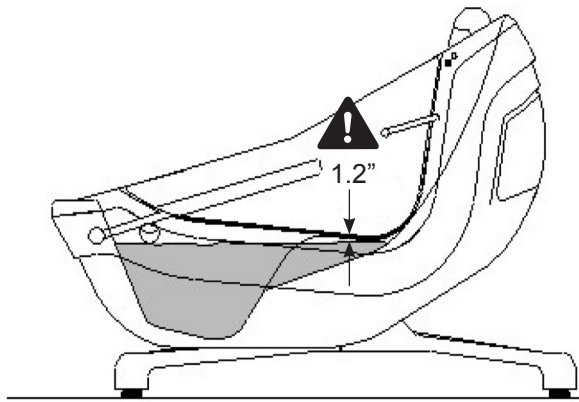
User Instructions

How to Empty the Bathtub



Emptying the bathtub:

- Empty the bathtub by turning the knob counterclockwise.
- When the water is below the entering level, you can open the door by turning the hand clockwise.
- The patient can now safely leave the bath with assistance from caregiver.



! WARNING:

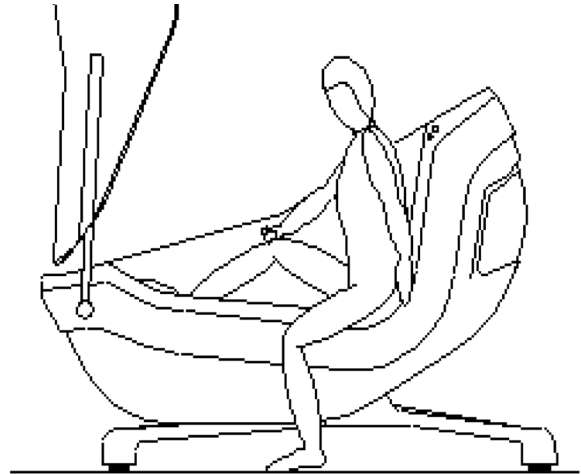
Never leave the patient unattended.

User Instructions

How to Step Out of the Tub

Leave the bathtub:

- When the bathtub is empty, in seated position, and the door is fully open, the patient can safely leave the bath with assistance from care giver.
- Make sure the patient standing area and patient are dry before stepping out of the bath with assistance from caregiver.



⚠ WARNING:

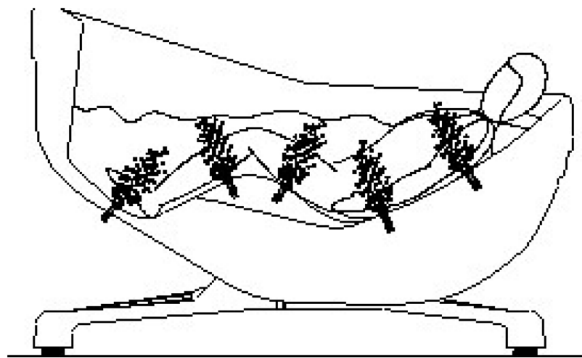
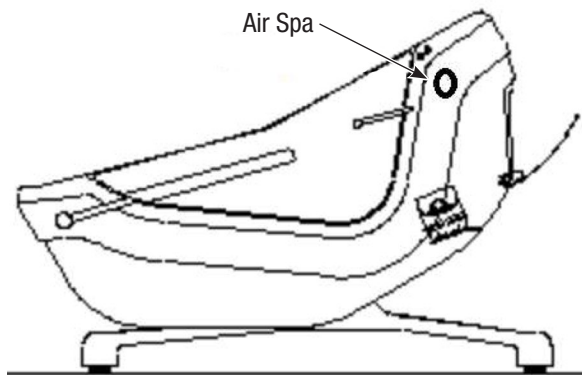
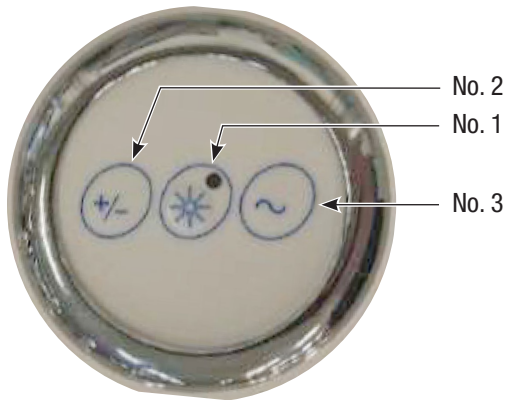
Never leave the patient unattended.

⚠ WARNING:

Make sure that patient and floor are wiped dry before the patient leaves the bathtub with assistance from care giver. Potential slipping hazard!

User Instructions

Option, Air Spa



Option – Air Spa:

- The control panel for the air spa is located at the head end of the bathtub.
- Start and stop the air spa by pressing control button no.1 on the control panel.
- Increase/Decrease the speed of the air spa by pressing control button no.2 on the control panel. Keep the button pressed until you have reached desired pressure.
- Start the air spa program mode by pressing control button no.3 on the control panel. The pressure will automatically go up and down.
- The air bubbles comes from 12pcs air jets inside the bath.

User Instructions

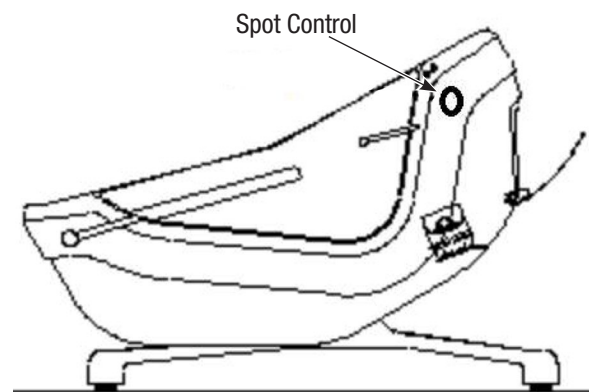
Option, LED light

Option – LED light:

- The control panel for the LED light is located at the head end of the bathtub.
- The LED source is located at the foot end of the bathtub.
- To start the LED light press control button no.4 on the control panel.
- The LED light starts in multi-color mode, and automatically rotates between the different colors.
- A fixed color can be chosen by pressing the control button no.4. Press one time for each color.
- The LED light will be turned OFF when you have pressed the control button no.4 nine times.



No. 4

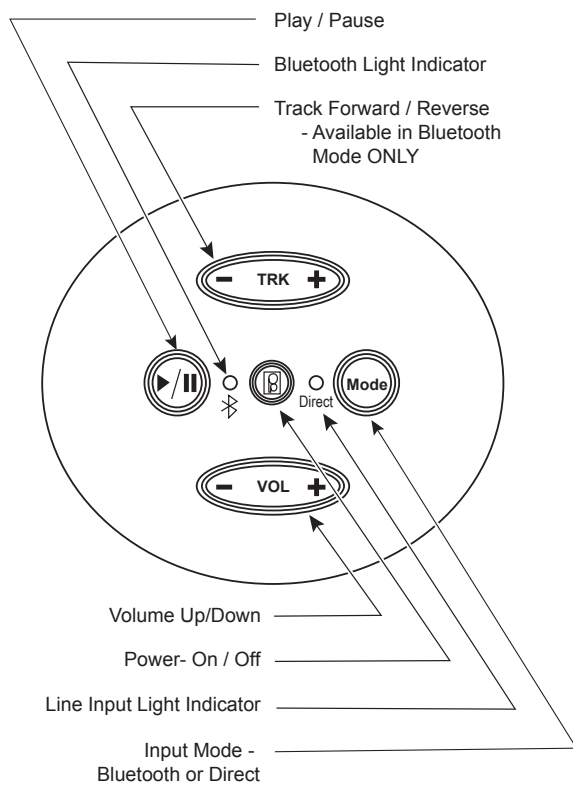


LED Source



User Instructions

Option, Music



Operating instructions Bluetooth:

- Press the ON/OFF button.
- Press the MODE button to choose Bluetooth. (Bluetooth indicator will be flashing)
- Turn on the Bluetooth on your music device. (Smart phone, tablet etc.)
- Start the Bluetooth search on your music device.
- Select PPGME60.
- Enter code 6000 (if required). If it doesn't work use 60BT and press "connect".
- Once connected, you can start playing your favorite music.
- Operating range 10M (30 feet).
- Only one user can be connected.

Operating instructions AUX:

- Connect your music device (smart phone, tablet etc.) with an AUX cable to the LINE INPUT connection.
- Press MODE button to change the mode to LINE INPUT.

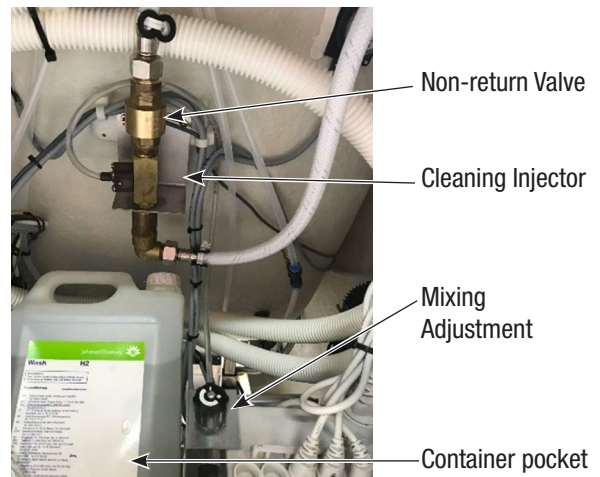
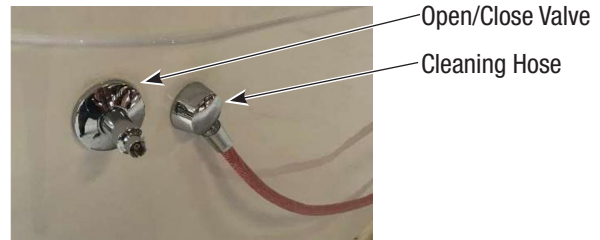
User Instructions

Option, Cleaning

Option - Cleaning System

The bathtub should be cleaned after every use. Cleaning system can be factory mounted on the bathtub. The bathtub is cleaned manually by using the cleaning shower handle.

- Place the cleaning/disinfectant detergent container in the pocket, placed behind the rear service hatch. The service hatch shall be closed/locked with a key for safety reasons.
- Make sure the suction hose is pushed down to the bottom of the container.
- Use only liquid, non-abrasive, non-scouring, commercially available detergents.
- Hold the cleaning shower handle over the bath, open the cleaning valve by turning the key/knob counterclockwise. Press and hold the shower handle to start the cleaning process.
- Use gloves and safety glasses during the cleaning process to protect skin and eyes!
- Thoroughly spray the inside of the bathtub and door and follow instructions from the supplier of the cleaning/ disinfection detergent.
- Rinse the bath thoroughly with water from the patient shower wand.
- Turn the cleaning valve OFF after use. Hose might break if it's exposed for constant pressure.



! WARNING:

Do not use the cleaning system when the patient is in the bath. Never use the cleaning system on patients, ONLY on equipment. Avoid direct contact with the cleaning/disinfectant product.

! WARNING:

Use gloves and safety glasses during the cleaning process to protect skin and eyes!

! IMPORTANT:

The user/operator is responsible for selecting detergents and bath additives. Please read instructions in the manual from the detergent supplier and find out whether the product is suitable.

System Components

Thermostatic mixer

GROHTHERM 800
DESIGN + ENGINEERING
GROHE GERMANY

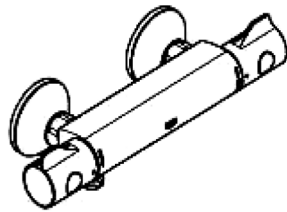
99.0257.131/AM 233556/12 15

www.grohe.com

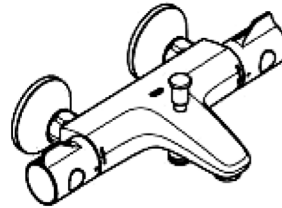
Pure Freude an Wasser

GROHE

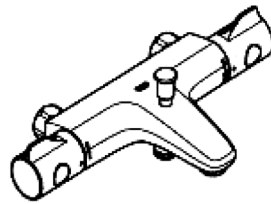
34 558
34 565
34 566



34 567
34 576



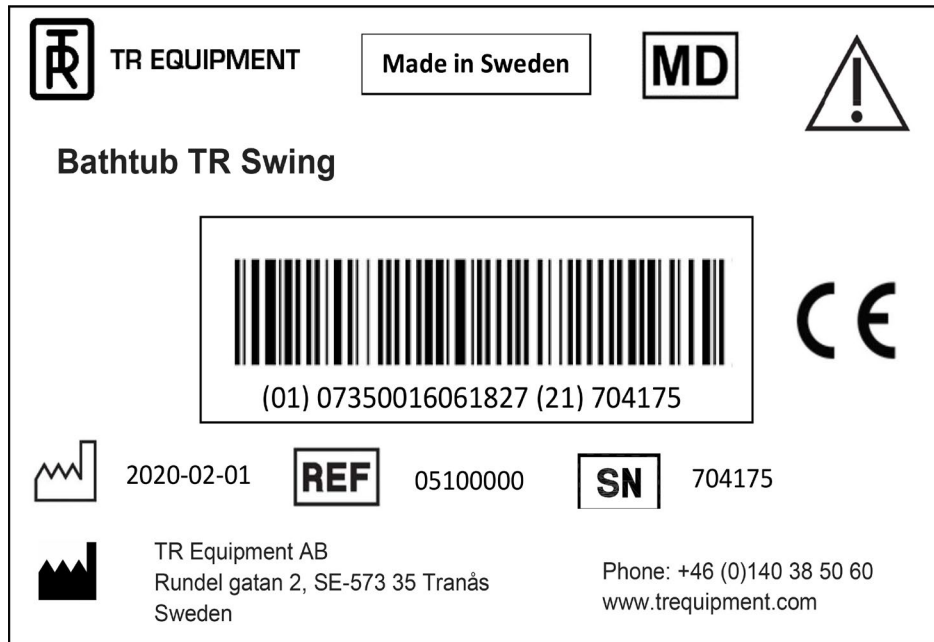
34 568



(D) 1 (NL) 5 (PL) 9 (P) 14 (BG) 18 (CN) 23
(GB) 1 (S) 6 (UAE) 10 (TR) 15 (EST) 19 (RUS) 24
(F) 2 (DK) 7 (GRN) 11 (SK) 16 (LV) 20
(E) 3 (N) 8 (CZ) 12 (SLO) 17 (LT) 21
(I) 4 (FIN) 8 (H) 13 (HR) 17 (RO) 22

Labels and Symbols

Product label



 **TR EQUIPMENT** TR Equipment logotype



Medical equipment according to MDR 2017/745



CE Marking



Manufacturing Date



Factory Address



Part number



Serial number



Mandatory to read the operating manual before use

Labels and Symbols



Maximum water pressure. Cold water.



Maximum pressure and temperature. Hot water.



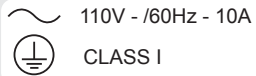
Disinfection shower hose



Disinfectant filling.



Patient weight shall not exceed 330 lb. (150kg)



Alternate current 110V – 60HZ Protective earth - Class I



Applied part B

Troubleshooting

PROBLEM	CAUSE	SOLUTION
The Bath will not tilt	No electricity supply	Check the fuses and circuit breaker protecting the bathroom mains line.
No filling	There is no supply to the bath.	Check whether the hot and cold water stop valves are open and have the filters and anti-return valves checked upstream of the supply tubes.
The water is too cold.	There is no hot water supply to the bath.	Check whether the hot water stop valve upstream of the supply tube is open.
	The filter in the hot water supply stop valve is blocked.	Clean the filters.
	The temperature of the hot water coming in to the bathroom is not high enough.	Hot water production too low for the consumption of the various bathrooms. (see the technical department of the establishment)
The water is too hot	There is no cold water supply to the bath.	Check whether the hot water stop valve upstream of the supply tube is open.
	The filter in the cold water supply stop valve is blocked.	Clean the filters.
	The thermostatic mixer tap is not properly adjusted.	Adjust the thermostat

Troubleshooting

PROBLEM	CAUSE	SOLUTION
Spa bath - Air Spa does not operate	No power supply	Check the bathroom fuses and circuit breaker.
The disinfectant concentration is too low or there is no disinfectant coming out of the shower	The disinfectant container is empty.	Open the access trap at the rear of the bath with the key and fill the empty disinfectant container. Make sure the suction tube is pushed right to the bottom of the container. If it is clogged (by disinfectant residue), brush it and clean it in vinegar.

Routine Maintenance

General Information / Warranty

IMPORTANT

Even though the thermostatic mixers are covered by warranty from the manufacturer, problems related to the quality of the water are not covered by the warranty from the manufacturer. Water quality is the responsibility of the customer.

WARNING:

Iodine, Bromine, and Methylene blue might discolor the bathtub.

IMPORTANT

Adjustment of the thermostatic mixer must be inspected regularly and if scaled they must be cleaned by a qualified technician.

IMPORTANT

If the bathtub is used in an area with hard water, ensure that the mixer cartridge and strainers are clean. See instructions in the manual from the manufacturer of the thermostatic mixer (manual supplied at delivery). This must be done by a qualified technician.

IMPORTANT

Any damage or problems caused by failure to comply with the installation instructions or through unsuitable use are excluded from the warranty and may not be the subject of claims for damages or reimbursement.

Routine Maintenance

Thermostatic Mixer, Important Information

The use of the word 'failsafe' to describe the function of a thermostatic mixing valve is both incorrect and misleading.

Malfunction of thermostatic mixing valves is almost always progressive in nature and will be detected during proper temperature checking and maintenance routines.

Certain types of systems can result in the thermostatic mixing valve having excessive 'dead-legs' of pipework. Others allow an auxiliary cold-water supply to be added to the mixed water from the mixing valve. Such systems can disguise the onset of thermostatic mixing valve malfunction.

Ultimately, the user or attendant must exercise due diligence to ensure that the delivery of warm water is at a stable, safe temperature.

This is particularly important in such healthcare procedures as supervised bathing of patients unable to respond immediately to unsafe temperatures.

In healthcare applications such as hospitals, aged person facilities, residential care homes, etc., and in any other applications where the user is similarly at risk, irrespective of supply and usage conditions or the evidence of in-service tests, the critical components (complete thermostatic mixer or the mixer cartridge) must be replaced at intervals of no more than 5 years.

Routine Maintenance

Before Every Use

Visual inspection

- Make sure that the bathtub stands securely on the floor.
- Make sure that the tub is in its lowest and in seated position.
- Make sure there are no nicks or cracks on the tub which may scratch the patient.
- Make sure that all electrical cords are in good condition and without damage.
- Make sure that the connecting and shower hoses do not leak.
- Check the water temperature by hand or with a bath thermometer.

WARNING:

Always check the water temperature physically, by hand or with a bath thermometer before showering the patient.

Daily Maintenance

- Clean the tub after every use according to the cleaning instructions.
- Avoid abrasive cleaners which may scratch the surface of the tub and side covers.
- Lower the tub to its lowest and seated position after every use and make sure all valves are closed.
- Clean the strainers on the shower handle by rubbing it with your thumb.



If your Swing is equipped with a cleaning system

- Make sure there is cleaning liquid in the cleaning/disinfectant container.
- Use protective gloves and clean the strainers on the cleaning shower handle by rubbing it with your thumb.
- Always close the cleaning valve after every use!



Routine Maintenance

Monthly Maintenance

- Monthly maintenance must be performed by an on-site engineer or trained staff.
- Repeat before every use and daily maintenance.
- Make sure that the supply hoses for Hot and Cold water are fitted correctly and do not leak.
- Make sure that the power cord is in good condition and has no damage.

Thermostatic Mixer

- Exercise the mixer by moving the temperature control rapidly from cold to hot and hot back to cold several times pausing at extreme. Check the temperature of the water with a thermometer.
- Check the manual from the manufacturer of the thermostatic mixer for maintenance instructions (supplied at delivery).
- If you don't have a manual for your thermostatic mixer and the mixer is supplied by TR Equipment, contact your EZ Way representative for new manuals.

WARNING:

Scalding risk when flushing with hot water!

CAUTION:

Shower hoses on the bathtub manage 60°C /140°F for 10 minutes.

WARRANTY

Maintenance and/or repairs may only be carried out by the manufacturer or qualified staff authorized by the manufacturer, otherwise warranty expires immediately.

Routine Maintenance

Annual Maintenance

Annual maintenance and inspection must be performed by a qualified technician according to local regulations.

Repeat before every use, Daily maintenance, and Monthly maintenance.

- Inspection of the electrical installation, power cord, earth cables and equipment must be performed by a qualified electrician.
- Inspection of the plumbing installation, flexible connection hoses, shower hoses, pipe interrupters, check valves (supplied by the installer) etc. must be performed by a qualified plumber.
- There should be an annual inspection of the electrical installation and of the devices according to local requirements.
- Make sure that it is possible to tilt the bathtub by pressing the control buttons for the tilt function at the head end of the bathtub.

Thermostatic mixer:

- Repeat before every use, monthly maintenance.
- Make a scalding test by shutting OFF the cold water. The thermostatic mixer shall shut OFF if only HOT water is supplied.

If it doesn't shut OFF the mixer or cartridge must be replaced.

⚠ WARNING:

Scalding risk when flushing with hot water!

⚠ CAUTION:

Shower hoses on the bathtub manage 60°C /140°F for 10 minutes.

⚠ WARRANTY

Maintenance and/or repairs may only be carried out by the manufacturer or qualified staff authorized by the manufacturer, otherwise warranty expires immediately.

Routine Maintenance

Annual Maintenance - For Other Options

Annual maintenance and inspection must be performed by a qualified technician according to local regulations.

Height adjustment:

- Make sure that it's possible to raise and lower the bathtub by pressing the control buttons on the head end of the bathtub.

Autofill:

- Make sure that the bathtub filling and shower are working correctly.

Thermostatic mixer - Autofill:

- Repeat before every use, monthly maintenance.
- Make a scalding test by shutting OFF the cold water. The thermostatic mixer shall shut OFF if only HOT water is supplied.

If it doesn't shut OFF the mixer or cartridge must be replaced.

Air Spa:

- Make sure that it's possible to start and stop the air spa blower by pressing the control button and control panel.
- Clean the air jets according to the cleaning instructions.

LED light:

- Make sure that the LED light is working by pressing the control button on the control panel.

Cleaning system:

- Check the OPEN/CLOSE valve to see if it open and close the valve properly. Replace valve stem if necessary.
- Make sure that the mixture of water and detergent is working properly.

Cleaning system - Replacement of parts:

- In areas with hard water we recommend replacement of the valve stem for the OPEN/CLOSE valve. Part.no: 829307

Routine Maintenance

Every 3 Years Maintenance:

Repeat before every use, Daily maintenance, Monthly maintenance, and Annual maintenance.

Replacement of parts

- Replace the shower hose.
Part. no: 851920
- Replace the shower handle.
Part. no: 95070AB001
- Replace the flexible connecting hoses for hot and cold water.
Part no: 9208515FD30

Cleaning system – Option:

- Replace the cleaning hose.
Part. no: 92085FT175R
- Replace the cleaning handle.
Part. no: 829171
- Replace the valve stem on the open and close valve.
Part. no: 829307
- Replace the Flexible hose
Part. no: 9208512FDM15

WARNING:

Scalding risk when flushing with hot water!

CAUTION:

Shower hoses on the bathtub manage
60°C /140°F for 10 minutes.

WARRANTY

Maintenance and/or repairs may only be
carried out by the manufacturer or qualified
staff authorized by the manufacturer,
otherwise warranty expires immediately.

Routine Maintenance

Every 5 Years Maintenance

Repeat before every use, Daily maintenance, Monthly maintenance, and Annual maintenance.

Replacement of parts

- TR Equipment recommends replacement of the thermostatic mixer.

Thermostatic mixer

In healthcare applications such as hospitals, aged person facilities, residential care homes, etc. and in any other applications where the user is similarly at risk, irrespective of supply and usage conditions or the evidence of in-service tests, the critical components (complete thermostatic mixer or the mixer cartridge) must be replaced at intervals of no more than 5 years.

See important information regarding thermostatic mixers in the table of contents, chapter system components.

Thermostatic mixer Part.no: 851883

Linear actuator/actuators

- TR Equipment recommends replacement of the linear actuator/actuators if the Swing bathtub is used daily.

Linear actuator, tilt function Part.no: 1pcs 96030AB002

Linear actuator, height adjustment Part.no: 2pcs 96030AB002

WARNING:

Scalding risk when flushing with hot water!

CAUTION:

**Shower hoses on the bathtub manage
60°C /140°F for 10 minutes.**

WARRANTY

**Maintenance and/or repairs may only be
carried out by the manufacturer or qualified
staff authorized by the manufacturer,
otherwise warranty expires immediately.**

Disposal / Recycling

Recycling of the equipment

- Recycle the fiberglass and components on the Swing bathtub according to local regulations.

Recycling of packaging materials.

- Cardboard materials shall be recycled as cardboard.
- The wooden pallet shall be recycled as wooden materials



IMPORTANT

When replacing electrical and electronic parts/components, deposit the parts/components in accordance with national regulations.

Cleaning Instructions

General guidelines for cleaning detergent

- Nonabrasive type of detergent
- Less than 5 Wt% chloride content
- Less than 3 Wt% alcohol content

WARNING:

Never use solvent based or strong alkaline cleaning liquids, use of these products may cause damage on the bathtub.

WARNING:

Never use flushing water when cleaning the tub side covers and the underside of the tub. Only use flushing water inside the tub.

IMPORTANT

The user/operator is responsible selecting the correct cleaning liquid/detergent and additives according to local regulations and safety standards. Please read the cleaning liquid/detergent supplier's instruction manual and find out whether the product is suitable for use with this product.

Cleaning Instructions

Cleaning the bathtub

- Clean the bathtub after every use.
- Contaminations should be removed as soon as possible to prevent material damage.
- Rinse the tub with water from the patient shower.
- Apply the cleaning/disinfectant detergent from the cleaning system (option) or a spray bottle inside the bathtub.
- Use a towel, sponge, or a soft brush to for proper cleaning. (Do clean the tub with abrasive cleaners which might damage the surfaces of the bathtub.)
- Allow the cleaning/disinfectant detergent to act according to instructions from the supplier of the cleaning/disinfectant detergent.
- Rinse the bath thoroughly with the patient shower.
- Wipe dry with a cloth.

WARNING:

Use gloves and safety glasses during the cleaning process to protect skin and eyes!

WARNING:

Never use solvent based or strong alkaline cleaning liquids, use of these products may cause damage on the bathtub.

WARNING:

Never use flushing water when cleaning the tub side covers and the underside of the tub. Only use flushing water inside the tub.

IMPORTANT

The user/operator is responsible selecting the correct cleaning liquid/detergent and additives according to local regulations and safety standards. Please read the cleaning liquid/detergent supplier's instruction manual and find out whether the product is suitable for use with this product.

