



EZ Way, Inc.

EZ Way Model CL650

The EZ Way Ceiling Lift is a battery operated patient lift that is mounted in tracks that are installed into the ceiling. The lift is used with a sling or walking harness to transfer the patient along the track.

Features

- Available as manual or power traverse
- On-board intelligence to monitor lift usage
- 4-Point Spreader Bar for maximum patient comfort
- Backlit LCD screen displays battery and diagnostic messages

Diagnostic Features

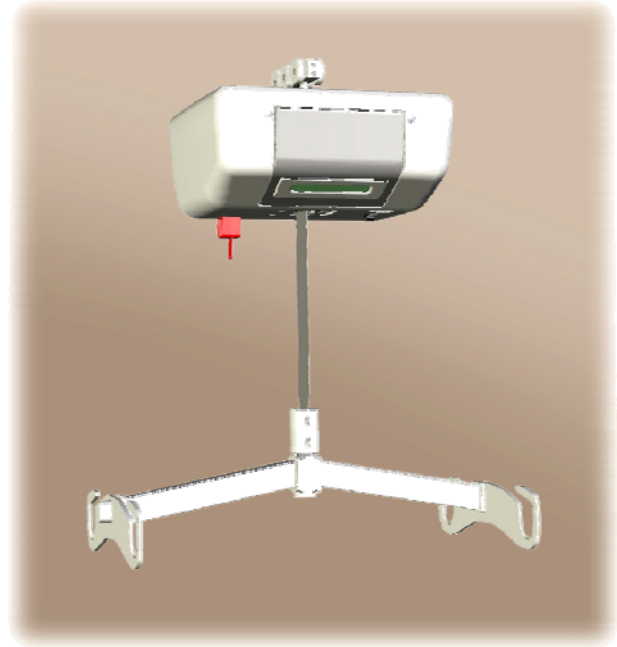
- Usage time captured
- Overload protection
- Optional inspection reminder

Safety Controls

- Emergency Down
- Emergency Stop
- Manual Down
- Strap Tension and Angle Protection
- Over Current Protection
- Low Battery Cut-Off
- Emergency Brake

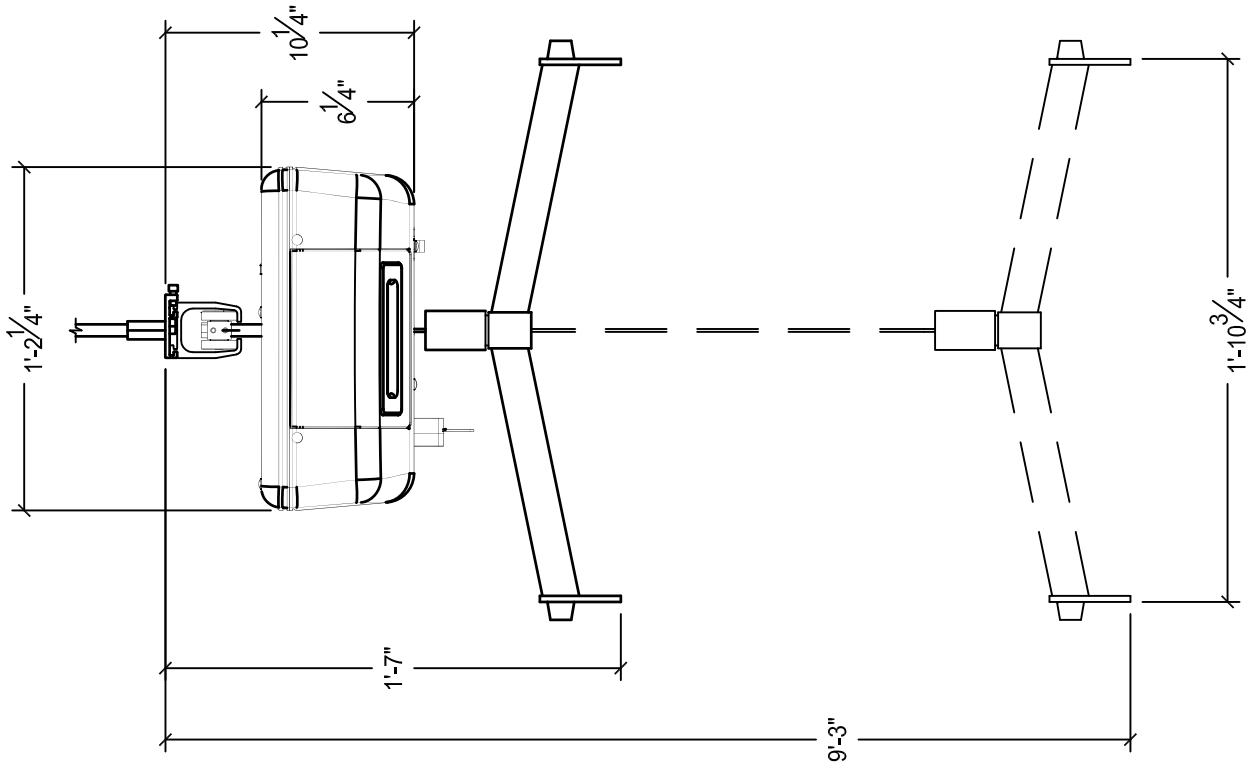
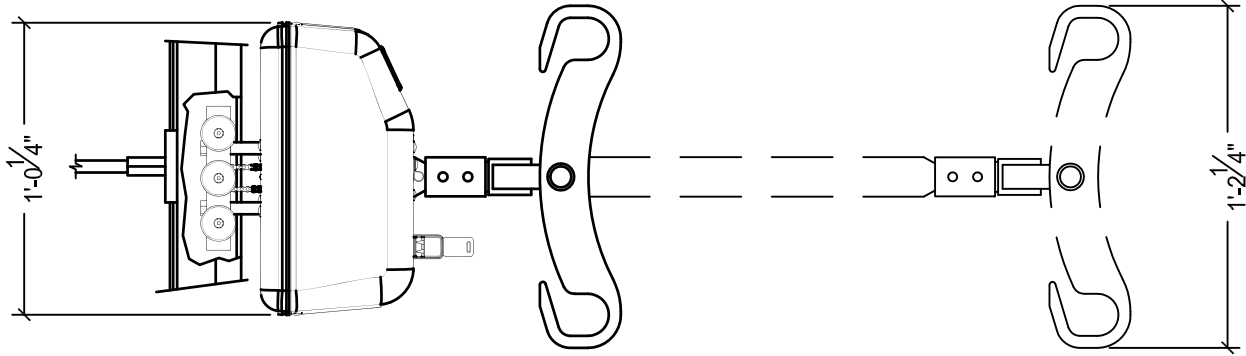
Construction

- Aluminum Chassis
- All metal drive train
- Dual-pawl emergency brake
- ABS Enclosure



Specifications

Model:	CL650
Capacity:	650 lb
Physical Dimensions:	14 ¼" x 12 ¼" x 6 ¼"
Weight:	29 lb
Installation:	Ceiling Mounted
Charger Input:	120 VAC
	60 Hz
	1 Amp
	Power Cord (NEMA 5)
BTU's:	N/A
Motor Control:	Electronic soft-start and soft-stop
Controls:	Hand-held remote plus on-board controls
Batteries:	2-12 V SLA, 5.0 Ah
Motor Rating:	20 Amp



Room Number:

CL650
Ceiling Lift Motor



EZ Way, Inc.

Drawn By: PR

Scale: NTS

Reference:

Date: 2/22/11