



EZ Way, Inc.

“Your Total Patient Lift Solution”

EZ Way Mobile Bath Lift System Operator’s Instructions



EZ Way, Inc.
PO Box 89
Clarinda, IA 51632
1-800-627-8940
www.ezlifts.com

⚠WARNING: Cancer and Reproductive Harm - www.P65Warnings.ca.gov.

Form 2-204
Rev. 07/31/18

The EZ Mobile Bath Lift System is designed for maximum flexibility in use. This system provides a greater return on equipment investment as it can be converted to either stretcher or chair, so a single unit can transfer both sitting and recumbent residents. You can lift from both floor and bed heights.

Safety Notes

When used in bath/shower, always physically check water temperature before and during bathing.

Caster brakes must be securely locked on the stretcher/chair lift before transferring patient.

The patient must be comfortable on chair/stretcher, with SAFETY BELTS SECURELY ATTACHED. Safety belts must be maintained in good condition. Do not let the patient sit on the short ends on the stretcher. Never leave the patient unattended. Make sure that all parts that come in contact with the patient are intact and without sharp edges. Make sure the patient's hands and feet are placed on the proper supports. The patient's feet should not dangle for the risk of being caught under the legs on the lift.

To avoid pinching of arms or fingers during transfer, make sure that the patient's arms are crossed over his/her body or are firmly grasped on the stabilizing bar or the armsupport.

Operate the lift carefully when transporting patients through narrow corridors or over irregular surfaces.

Wipe beneath stretcher/chair to prevent water from dripping on the floor after bathing/showering. Equipment must be cleaned after each use. Never clean pad, mattress or pillow in gas sterilization unit, the items may explode.

It is recommended that the Lift batteries are charged daily or whenever lift is not in use. Batteries cannot be overcharged. The EZ battery charger is the only charger approved for charging the EZ Mobile Bath Lift System. Do not use battery charger in wet or damp areas as this is a potential shock hazard.

Before you attempt to attach or remove stretcher/chair, caster brakes must be securely locked.

Stretchers, seats, mattresses, pads etc. must be kept in place, well maintained, and screws should be tightened. Make sure that all casters are clean, in place and free from damages. Make sure that the safety belts are clean, in place and free from damages. Drive belt must be inspected visually for signs of wear.

The EZ Mobile Bath Lift System should not be used if defects are noted. Prompt service is required. If drive belt fails, the stretcher/chair will stop on column. NOTE: Do not use the EZ Mobile Bath Lift System in any way that varies from the safety precautions and operating procedures detailed in this manual.

Only qualified staff who understand all operating and safety procedures may operate this equipment. The EZ Mobile Bath Lift System is designed for years of trouble-free operation when properly used and maintained.

If you have any questions regarding the operation or maintenance of your EZ Mobile Bath Lift System, contact us at 1-800-627-8940. Additional copies of these instructions can be downloaded from EZ Way's website, www.ezlifts.com.

Features and Controls

Chair Lift

Position	Description
1.	Support column
2.	Attachment wheel for chair/stretcher (Behind EZ protection pad)
3.	Transfer handle
4.	Foot supports
5.	Positive brake casters
6.	Straight steering casters
7.	Foot control for raising
8.	Foot control for lowering
9.	Rotating arm/back supports
10.	Hygiene seat pad (standard)
11.	EZ protection pad for attachment wheel
12.	Snap on backrest pad
13.	Safety belts
14.	Grip
15.	Drive belt
19.	Battery charger input
20.	Emergency stop

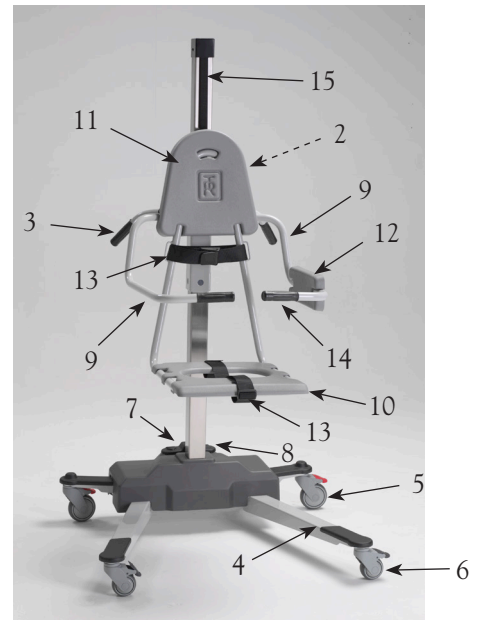


Figure 1 - Chair Lift

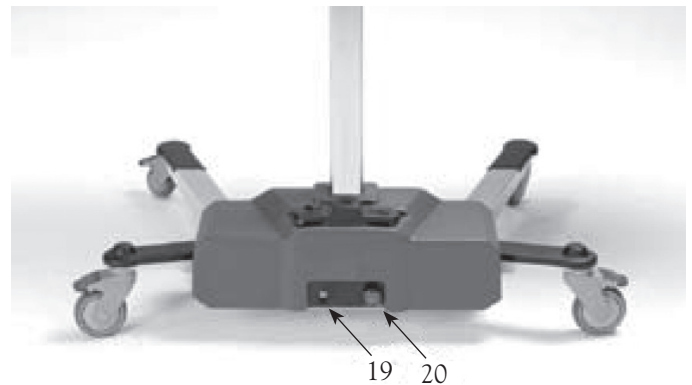


Figure 2 - Back of Chassis

Features and Controls

Stretcher Lift

Position	Description
1.	Support column
2.	Attachment wheel for chair/stretcher (Behind EZ protection pad)
3.	Transfer handle
4.	Foot supports
5.	Positive brake casters
6.	Straight steering casters
7.	Foot control for raising
8.	Foot control for lowering
9.	Hinged back/leg rests
10.	Stretcher pads
11.	Solid seat pad (standard)
12.	EZ protection pad (attachment wheel)
13.	Adjustable back/legrest setting bars
14.	Safety belts
15.	Removable head pillow
16.	Stabilizing bar
17.	End supports
18.	Drive belt
19.	Battery charger input
20.	Emergency stop



Figure 3 - Stretcher Lift

Height Adjustment

Raise and lower the chair/stretcher with the foot control arrow symbols.

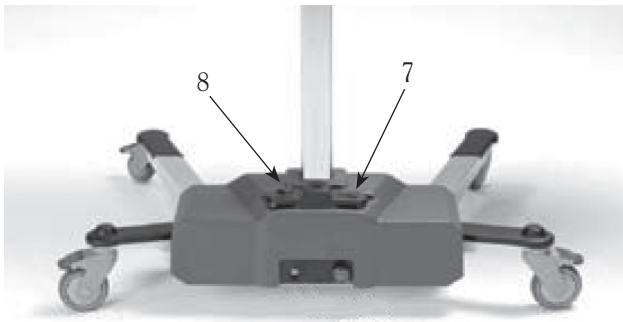


Figure 4 - Back of Chassis

Raise by pressing the “up” right arrow symbol (7).

Lower by pressing the “down” left arrow symbol (8).

The chair/stretcher raises and lowers smoothly while the foot arrow symbols are activated and stops immediately when the foot arrow symbols are released.

When the chair or stretcher hits the top position, an audible tone sounds. Press the down foot control (8) to lower.

Overload Protection

Working Load Limit 330 lbs.

The circuit board is protected from overload. When overloaded, an audible tone sounds. Reduce the load. Then, press the “down” foot control (8) and lower.

Autostop Mechanism

If the chair or the stretcher hits an obstacle when lowering, the lift will automatically stop. To release it from this position, just press the “up” right arrow symbol (7).



Figure 5 - Patient on Chairlift

When the drive belt is slacking, press the “up” foot control (7), until a “click” sounds.

If drive belt fails, chair/stretcher will automatically stop/lock on the column. Call 1-800-627-8940 for technical assistance.

Attaching and Removing Chair and Stretcher

No tools are required to remove or change from chair to stretcher. You simply remove the protection pad and loosen the black attachment wheel (2) on the support column. Then, lift the chair/stretcher forward and unhook it from the support column.

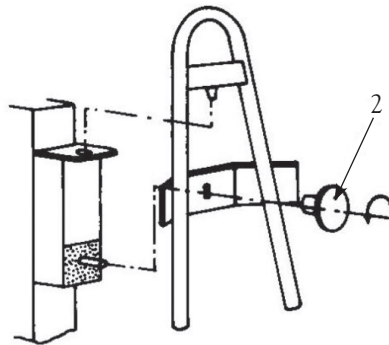


Figure 6 - Loosen Attachment Wheel

To mount the chair/stretcher onto the lift, place the pin on the chair/stretcher into the hole on the support column (1). Lower the chair/stretcher until the threaded pin on the column matches the hole in the bracket, and reposition the black attachment wheel as well as the protection pad.

WARNING: Before you attempt to change or remove chair/stretcher, caster brakes must be securely locked, and column in a low position.

Caster Brakes

To lock the positive, foot-operated brakes on the two casters (5), press down the end on each red brake lever until they lock. To release, step on the raised part on the red lever.

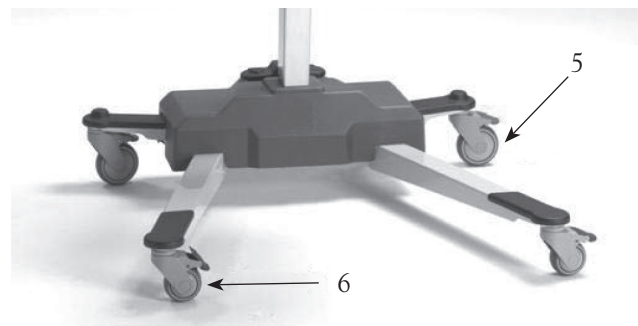


Figure 7 - Caster Brakes

To increase the brake stability, also lock the two gray straight steering casters (6).

Straight Steering Casters

The “bed side” casters (6) can be locked for straight steering. Lock the straight steering caster facing the direction you are transporting in.

To lock the straight steering, press down the gray locking lever on the caster until it clicks into position. To release the straight steering, press the raised grey locking lever.

Chair Back Rest

For more versatility in patient transfer, patients can be oriented in either direction on the chair. Simply switch the snap on backrest (12) from one rotation arm support (9) over to the other.



Figure 8 - Chair Lift

The chair has a protection pad (11) which temporarily can be used as a backrest and enables the patient to easily be positioned for transport.

Stretcher Back/Leg Rest

For more versatility in patient transfer, patients can be oriented either way on the stretcher. Simply switch the head pillow (15) from one end to the

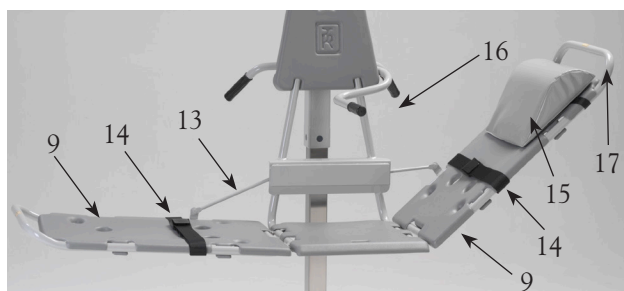


Figure 9 - Stretcher Lift

other, and note that a hinged back/leg rest (9) operates either way on the stretcher.

Raise either backrest (9) by lifting the end support (17) slightly and lift the setting bar (14). The setting bar (13) automatically latches into either angled positions. From horizontal position, first lift the setting bar (13) when raising.

Lower either backrest (9) by slightly lifting the end support (17), grasp and lift the setting bar (13) and lower the end support to wanted position.

Important: Ensure that the setting bar (13) is fully in place in either position.

Safety Belts

When patient is seated on the chair, bring the adjustable safety belts (Figure 8, 13) around the patient’s chest and legs. Run the belt ends (Figure 8, 13) through the guides on the chair. Adjust the safety belts to ensure patient’s comfort and security. Then, tighten and fasten the safety belts securely.

When the patient is placed on the stretcher, bring the two adjustable safety belts (Figure 9, 14) over the patient’s chest and legs. Adjust the safety belts to ensure patient’s comfort and security. Then, tighten and fasten the safety belts securely.

Patient Handling Procedures for Stretcher

Patient Transport on Stretcher

To ensure safety, patients should be transported on the stretcher following the special recommended procedures.

The stretcher can always be lowered down to the lift legs.

WARNING: Safety belts must be securely fastened around the patient at all times.

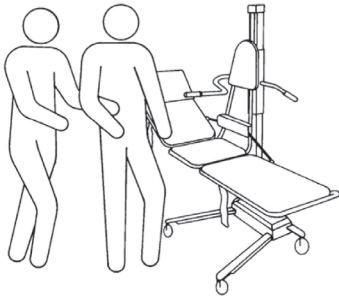


Figure 10 - Patient to Stretcher

1. Lock the caster brakes.
2. Adjust backrest to a comfortable position.
3. Support the patient's comfort on the stretcher.
4. Adjust the chest and leg safety belts and fasten them.



Figure 11 - Securing Patient

5. Adjust the stretcher to a comfortable transport height by using the "up" right arrow symbol for raising and the "down" left arrow symbol for lowering.
6. Allow the patient to firmly grasp the stabilizing bar for extra safety and support.
7. Unlock the caster brakes and, if desired, activate the straight steering caster when transporting.
8. When transporting patient on the stretcher, push the lift with one hand on the transfer handle on the column and your other hand on the stretcher end support behind the patient.

Patient Transfer from Wheelchair onto Stretcher

You can raise or lower the stretcher to match wheelchair height and, thus, ease the transfer of wheelchair patients.

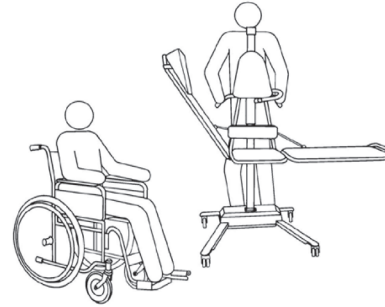


Figure 12 - Wheelchair to Stretcher

1. Lock the lift's caster brakes and raise back rest to an upright position.
2. Position the wheelchair next to the stretcher and lock the wheelchair casters.
3. Lower the stretcher, using the "down" left arrow symbol for lowering, to wheelchair seat height.
4. Remove the wheelchair armrest and remove or swing wheelchair footrest away on the transfer side.

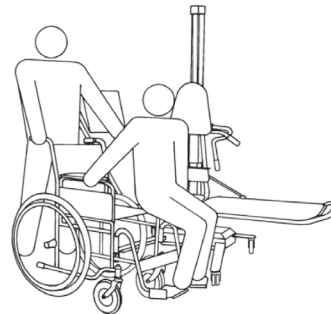


Fig. 13 - Transfer from Wheelchair to Stretcher

5. Transfer patient laterally from wheelchair onto stretcher, supporting patient under arms.
6. Position patient comfortably on the stretcher, secure safety belts and raise stretcher, using the "up" right arrow symbol for raising, to transport position.
7. Unlock the caster brakes and, if desired, activate the straight steering caster when transporting.
8. To return patient to wheelchair/bed, reverse steps.

Patient Transfer from Bed onto Stretcher

Follow the recommended procedures. Do not omit any steps. Stay in sequence.

1. Make sure that the bed guard rail is raised and secured on the opposite side from the stretcher.
2. Roll the patient onto his/her side, facing away



Figure 14 - Transporting Patient on Stretcher

from the stretcher and parallel to the stretcher.
NOTE: Position patient on the bed mattress so that the stretcher can be placed close to the patient's back for transfer.

3. Position the stretcher over the bed and lower it, using the "down" left arrow symbol for lowering, onto the mattress. The lowering will automatically stop when the stretcher hits the bed surface.

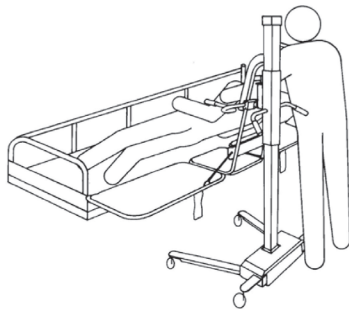


Figure 15 - Bed to Stretcher

4. Lock the lift caster brakes.
5. Roll the patient over to a comfortable position on the stretcher.
6. Raise the stretcher slightly, using the "up" right arrow symbol for raising, and secure the safety belts over the patient's chest and legs.

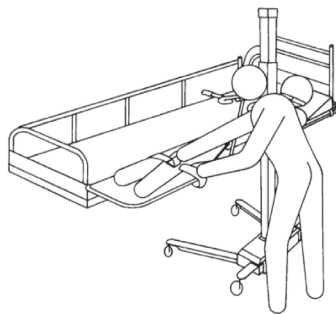


Figure 16 - Patient Transferred to Stretcher

7. Raise the backrest to a comfortable position, using the end support, and latch the setting bar.
8. Raise the stretcher.
9. Unlock the stretcher's caster brakes.

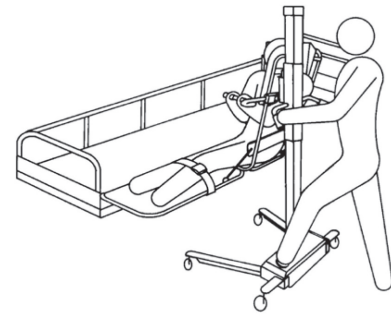


Figure 17 - Patient Fully on Stretcher

10. Pull the lift clear from the bed, using the transfer handle, and adjust the stretcher to a comfortable transport height.
11. Push the lift by using the end support and transfer handle.
12. If desired, activate a straight steering caster when transporting.

Patient Transfer on Stretcher into Bathtub

When bathing, the patient must at all times remain on the stretcher with safety belts securely fastened. Backrest must be in full upright position when stretcher is lowered into the tub and the tub foot support removed.

WARNING: Never leave patient unattended.



Figure 18 - Stretcher to Bathtub

1. Use the transfer handles to place the lift next to the prefilled bathtub.
2. Lower the bathtub and raise the stretcher high enough to clear the tub rim.
Important: Make sure that patient's hands firmly grasp the stabilizing bar or that the patient's arms are crossed over his/her body. This to avoid pinching arms or fingers between stretcher frame and tub rim when stretcher is lowered or tub is raised.
3. Position the stretcher so it is centred over the tub.
4. Raise the bathtub to a comfortable working height before lowering the stretcher and patient into the water.

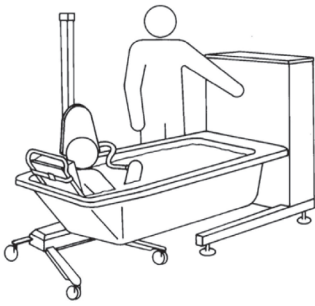


Figure 19 - Stretcher in Bathtub

5. After bathing, lower the bathtub before raising the stretcher. You can use the patient shower system to rinse the patient in this position, allowing the water to drain into tub.
6. Raise stretcher to clear tub rim and pull it away from the bathtub. Lower the stretcher to convenient transport height. The patient can then be dried and wrapped in a bath towel.
7. If desired, activate one of the straight steering casters when transporting.

NOTE: Wipe beneath stretcher to prevent water from dripping on floor.

Patient Transfer from Stretcher onto Bed

1. Make sure that the bed rail is raised and secured on the opposite side from the stretcher.
2. Position the stretcher over the bed, lock the lift caster brakes, and lower the stretcher onto the mattress. The stretcher will automatically stop when hitting the bed surface.
3. Lower the backrest onto the bed mattress.
4. Loosen the safety belts.
5. Roll the patient gently onto the bed.
6. Raise the stretcher slightly to clear the mattress. Unlock the lift caster brakes, and pull the lift away from the bed.
7. Roll patient back to a comfortable position on the bed.
8. Raise and lock the bed guard rail on transfer side.

Patient Handling Procedures for Chair

Patient Transport on Chair

To ensure safety, patient shall be transported on the chair following the recommended procedures below.

NOTE: For the following special transfer procedures with the chair, patient can be pivoted on the seat so that they rest against the attached back protection pad. The chair can always be lowered all the way to the floor.

WARNING: Safety belts must be securely fastened around patient at all times.



Figure 20 - Patient onto Chair

1. Lock the chair lift's caster brakes.
2. Adjust the snap on backrest for patient comfort.
3. Help the patient to be seated comfortably on the chair.
4. Adjust the safety belts around the patient's chest and legs and fasten them.
5. Raise the chair, using the "up" right arrow symbol for raising, to a comfortable transport position. Patient's feet should rest easily on the lift's foot support.
WARNING: Patients' feet should never dangle for the risk of being caught under the legs on the lift.
6. Patient should grasp the grip on the arm support for extra safety and support.
7. Unlock the caster brakes and, if desired, activate one straight steering caster when transporting.



Figure 21 - Grasp Arm Grip

- When transporting, push lift with one hand on the transfer handle on the column and your other hand on the rotating arm support behind the patient.

Patient Transport from Wheelchair onto Chair

You can raise or lower the chair to match wheelchair seat heights.

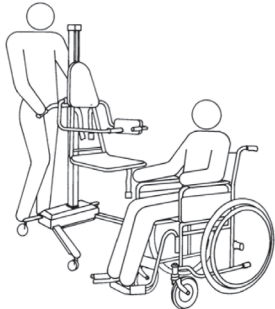


Figure 22 - Wheelchair to Chair

- Lock the chair caster brakes. Lift and rotate the arm support to the rear position.
- Position the wheelchair next to the chair and lock the wheelchair wheels.
- Lower the chair seat to wheelchair seat height.
- Remove the wheelchair armrest and remove or swing footrest away on the transfer side.

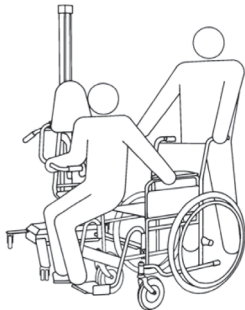


Figure 23 - Transfer from Wheelchair to Chair

- Transfer patient laterally from wheelchair to chair, supporting patient under arms.
NOTE: Snap on backrest pad on rotating arm support should be in its regular transport position during the transfer.
- Position patient comfortably on chair with back against snap on backrest.
- Rotate the armsupport forward and secure safety belts around patient's chest and legs.
- Raise chair to transport position. Patient's feet should rest easily on foot support.
WARNING: Patient's feet should never dangle for the risk of being caught under the legs on the lift.
- Unlock chair lift caster brakes and, if desired,

activate one of the straight steering casters when transporting.

- To return patient to wheelchair, reverse the steps.

Patient Transfer from Bed onto Chair

Follow the recommended procedures. Do not omit any steps. Stay in sequence.

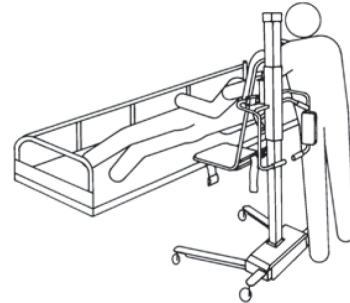


Figure 24 - Chair to Bed

- Make sure that the bed guard rail is raised and secured on the opposite side from the chair.
- Rotate both arm supports to their rear positions.
- Roll the patient onto his/her side, facing away from the chair.
- Position the chair over the bed so that the seat is aligned with the patient's buttocks.
- Lower the chair seat. The lowering will automatically stop when chair hits bed surface.
- Lock the chair lift's caster brakes.
- Roll the patient over onto a comfortable position on the chair. Rotate the forward arm support into its transport position in front of the patient.

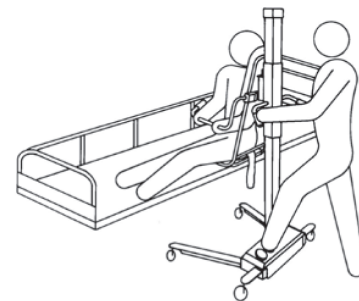


Figure 25 - Transfer from Bed to Chair

- Assist the patient to a sitting position and have him/her firmly grasp the arm support. If the patient is in an electric bed, raise the bed head end to assist the patient. With the patient sitting, rotate the arm support with snap on backrest forward and let patient rest against it.
- Adjust safety belts around patient's chest and legs and fasten them.

10. Raise the chair off the bed mattress and unlock the lift's caster brakes.
11. Support the patient's legs with one arm, roll the chair lift away from the bed, and then lower the patient's legs.
12. Raise or lower the chair so patient's feet rest easily on the foot support.
13. Push the chair lift by using the transfer handle on the column and the arm support behind the patient.
14. If desired, activate one straight steering caster when transporting.

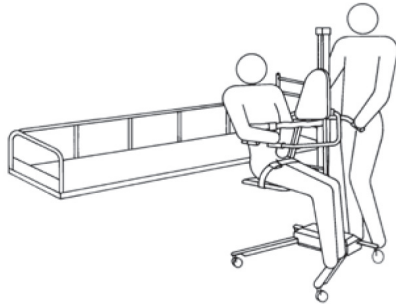


Figure 26 - Chair Transport

WARNING: Patient's feet should never dangle for the risk of being caught under the legs on the lift.

Patient Transfer on Chair into Bathtub

When bathing, the patient must remain on the chair with safety belts securely fastened at all times.

WARNING: Never leave patient unattended.



Figure 27 - Chair to Bathtub

1. Position the chair lift next to the prefilled bathtub.
 2. Lower the bathtub and raise the chair high enough to clear the bathtub rim.
 3. Hold the patient's legs clear of the bathtub rim with one arm and position chair over the bathtub.
- NOTE: Raise the chair to ensure clearance of all body parts over the bathtub rim. Also, make

sure the patient's hands firmly grasp arm support or cross arms over his/her body. This to avoid any possibility of the patient being pinched between the rim of the bathtub and chair during the transfer.

4. Lower the patient's legs into the bathtub.
5. Raise the bathtub to a comfortable working height and lower the chair into the water until the chair seat is resting on the bathtub bottom.



Figure 28 - Chair in Bathtub

6. When the patient is comfortable in the water, rotate one or both arm supports over the bathtub rim to allow the patient to recline, if the patient is capable of self-support. The bathtub has an adjustable footrest for more comfort and security.
 7. After bathing, rotate the forward arm support into transport position in front of the patient.
 8. Assist the patient to a sitting position and have him/her firmly grasp the arm support. Rotate the arm support with the snap on backrest forward, and let patient rest against it.
 9. Lower the bathtub and raise the chair above water level. You can use patient shower system to rinse the patient in this position, and the water will drain into the bathtub.
 10. Raise chair to clear tub rim and support patient's legs. Pull the lift away from the bathtub.
 11. Lower the chair to a transport height so that patient's feet rest easily on foot support. The patient can then be dried and wrapped in a bath towel.
- WARNING: Patient's feet should never dangle for the risk of being caught under legs on the lift.
- NOTE: Wipe beneath chair to prevent water from dripping on the floor.
12. If desired, activate one of the straight steering casters when transporting.

Patient Transfer from Chair onto Bed

1. Make sure that the bed guard rail is raised and secured on the opposite side from the chair.
2. Support the patient's legs with one arm to clear the bed mattress as you position the chair over the bed. Lock the caster brakes.
3. Lower the chair. The seat will automatically stop when hitting the bed surface.
4. Make sure patient firmly grasps the arm support.
5. Loosen the safety belts.
6. Support patient's back with one arm, and rotate rear arm support with snap on backrest out of way. Lower patient back into bed.
7. Rotate forward arm support behind chair.
8. Roll the patient gently onto the bed.
9. Raise chair seat. Unlock caster brakes and move chair lift away from bed.
10. Roll patient to a comfortable position in the bed.
11. Raise and lock bed guard rail on transfer side.

Toilet Transfer using Chair

The chair lift can be used for either floor or wall-mounted toilets.

Wall Toilet

1. Lift the toilet seat and place the chair lift the same way as going into a bath, over the bowl.
2. Lock the caster brakes and lower the chair to the toilet, using the "down" left arrow symbol for lowering.



Figure 29 - Chair over Toilet

Floor Toilet

1. Lift the toilet seat and place the chair lift up to the toilet with the lift's legs straddling the bowl.
2. Lock the caster brakes and lower the chair to the toilet.
3. When done, raise the chair for easy access to the perineum area.

Showering Patient

Always physically ensure that the water temperature is correct before and during showering.



Figure 30 - Showering Patient on Chair

Place the chair lift over a floor drain, lock the caster brakes and shower the patient. The hygiene seat enables the patient to be washed in the perineum area.

WARNING: Never leave patient unattended.

After the patient is showered, keep him/her warm wrapped in a bath towel.

Adjust the chair height to an ergonomic height and, if desired, activate one straight steering caster.

Patient Handling Procedures from Floor

Stretcher

1. Raise both backrests to full upright position by grasping the end supports and lift. To secure the full upright position, lift the setting bar on both supports. Raise until the latch locks and then push the bar down slightly to ensure locking.
2. Lower the stretcher, using the "down" left arrow symbol for lowering, to floor and raise stabilizing bar towards attached protection pad. Lock caster brakes.
3. Lift patient onto stretcher, center section.
4. Lean patient against the protection pad and secure patient with the chest safety belt.
5. Raise stretcher slightly, using the "up" right arrow symbol.
6. Lower the foot end backrest to its lowest position (horizontal).
7. Pivot patient's legs onto stretcher foot end, and fasten safety belt around legs. Adjust chest safety belt when necessary.
8. Lower the stabilizing bar into position and let him/her firmly grasp it.
9. Raise stretcher to transport position.
10. Unlock caster brakes and, if desired, activate

one of the straight steering casters.

11. Transfer the patient.

Chair

The chair can always be lowered all the way to the floor.

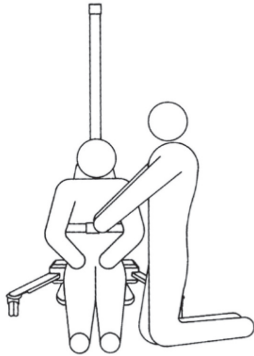


Figure 31 - Transfer from Floor to Chair

1. Lower the chair, using the “down” left arrow symbol for lowering, to floor and lock caster brakes. Pivot rotating arm/back support up.
2. Transfer patient onto chair with patient’s back against protection pad.
3. Secure safety belt around patient’s chest.
4. Raise chair slightly and pivot both arm/back supports down into position.
5. Turn patient to rest on back support and to firmly grasp the arm support. Secure hip safety belt and adjust the safety belt around the chest.
6. Raise chair, using the “up” right arrow symbol for raising, to a comfortable transport position.
7. Unlock caster brakes and, if desired, activate one of the straight steering casters.
8. Transfer the patient.

Additional Accessories Available

Stretcher

- Wall bracket EZ 9680 for stretcher storage
- Soft Mattress EZ 9660
- Scale EZ 1650



Figure 32 - Wall Bracket for EZ 9680

Chair

- Wall bracket EZ 9680 for stretcher storage
- Scale EZ 1650
- Soft hygiene chair seat cushion 9670

EZ 1650 Scale

This scale lets you maintain persons weight records with no increase in staff workload or time.

This accurate, easy-to-use scale gives you even greater productivity from your EZ Mobile Bath Lift System and the people who operate it.



Figure 33 - EZ Scale 1650

EZ Way’s unique EZ 1650 Electronic scale

The clean stainless steel compact design integrates smoothly into the lift support column, allowing chair and stretcher freely to be interchanged, no tools required.

Large LCD numerals show person weight in either kilograms or pounds with an accuracy of +/-0.2kgs or +/-0.5 lbs.

The EZ1650 with double load cells holds the last weight reading in memory, where it can be recalled even after the person has left the lift, allowing staff to record the person's weight at their convenience. Pushing the zero button resets the scale for next use.

A low battery indicator alerts the operator when it is time to change the "C" batteries, which have an estimated lifetime of 12 months with normal use.

You do not have to calibrate the scale when you change from the chair to the stretcher or visa versa. Make sure that the scale reads "0" (zero) before you put the patient on the chair/stretcher. If it doesn't, press the "on/zero" button and the display will show "0".

If you want to check the accuracy of the scale, find something that has a known weight. Use this item to confirm the scale reading. It should be very rare that you need to calibrate the scale.

Calibration

A 44 lb. weight is required when calibrating the scale in pounds. Change batteries if necessary.

1. Park the lift on a level surface with either the empty chair or stretcher attached.
2. Turn the scale on by pressing the ON/ZERO touch pad. Press the LB/KG to change the scale to show KG (if not already done).
3. Press and hold the ON/ZERO and the LB/ KG touch pads. After about 5 seconds, the readout will show CAL. The scale is now in the calibration mode.
4. Press the ON/ZERO touch pad and release. The scale will count down and show C20.
5. Put the 20.0 kilos weight on the chair or stretcher.
6. Press the ON/ZERO touch pad and release. The scale will count down and show 20.0 KG.
7. Remove the calibration weight and the calibration is now complete.
8. To confirm the scale accuracy, load the calibration weight once more on the chair/ stretcher.

Cleaning the Mobile Bath Lift System

Chair

For thorough cleaning, remove the protection pad and the snap on backrest and clean them in the tub.

Position the chair over the tub and spray with the tub's cleaning system. Rinse chair, snap on backrest thoroughly with fresh water from the patient shower after cleaning.

Wipe beneath lift to prevent water from dripping on floor.

Stretcher

The stretcher has removable pads. The head pillow, made of PVC, is heat sealed against moisture and can be washed and cleaned.

For thorough cleaning, remove the pads from the stretcher and clean them in the tub.

Position the stretcher over the tub and spray with the tub's cleaning system. Rinse the stretcher, pillow and pads thoroughly with fresh water from the patient shower after cleaning.

Wipe beneath lift to prevent water from dripping on floor.

NOTE: Safety belts may be machine washed and dried. Velcro strips must be pressed together during washing and drying to preserve their gripping power.



Charging Instructions

Charge the lift daily or when the low battery audible tone sounds when pressing the “up” foot control arrow. The lift can never be overcharged.

Use only the 24 volt dc battery charger model delivered by EZ Way.

NOTE: Connect the battery charger to the lift before it is connected to the mains.

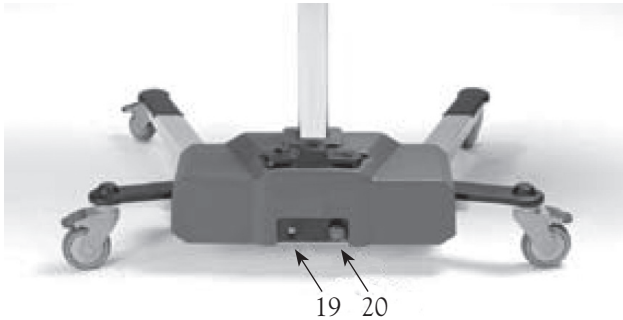


Figure 34 - Back of Chassis

- Insert the battery charger plug into chassis base (19).
- Make sure that the plug is completely in place.
- Plug the battery charger into the mains.
- When the battery charger is properly connected, an indicator on the battery charger will be lit. If not, recheck the connections.
- The indicator informs the charging cycles: Yellow while charging and green when the batteries are fully charged. Maximum charging time is 8 hours. The lift can never be overcharged.
- When the charging is completed, **disconnect the battery charger from the mains before you disconnect it from the lift.**
- A flat fuse (15A) is connected between the batteries under the cover.
- Emergency Stop button (20).

Batteries

If replacing the lead batteries, deposit in accordance with local regulations.



Routine Maintenance

The recommended frequency of these maintenance routine procedures will depend on how often the equipment is used.

It is good practice to establish these procedures and then adjust the frequency as your conditions indicate.

Daily Routine Maintenance

- Clean the lift chair/stretcher, mattress and pillow after each use with a mixed, nonabrasive type of detergent, according to your detergent supplier instructions. NOTE: Do not use solvent based cleaning liquids, which can damage or stain the mattress pads and pillow.
- Use a sponge or brush, and promptly remove any soap or lime deposits, and feces to avoid spots/stains. Rinse thoroughly with fresh water.
- Safety belts may be machine washed and dried. Velcro strips must be pressed together during washing and drying to preserve their gripping power.
- It is recommended that the lift batteries are charged daily or whenever lift is not in use. Batteries can not be overcharged.

 WARNING:
Never clean pads and/or pillow in gas sterilization unit.

Weekly Maintenance

- Visually inspect the lift chair/stretcher to make sure there are no nicks or cracks which can scratch the patient.

Monthly Maintenance

- Check that screws and fastenings are tight.
- Check that the attachments for the EZ 1650 scale are tight.

Annually Maintenance

- To keep the lift running smoothly, we recommend you keep the square column clean.
- Drive belt on the lift column must be inspected visually for signs of wear.
- Lifts should not be used if defects are noted. Prompt service is required.

Autostop Check-Up

1. Check the autostop mechanism by lifting the chair/ stretcher about 30 cm up on the column.
2. Let go and push slightly. The chair/stretcher will lock on the column.
3. Drive belt will be slacking. Press the “up” right symbol to straighten the drive belt and to release the autostop.

Batteries

If replacing the lead batteries, deposit in accordance with local regulations

WARRANTY, CE MARK & TECHNICAL SPECIFICATIONS:

EZ Way Mobile Bath Lift System

Warranty: EZ Way warrants that its products are free from defects in materials and workmanship for a period of one year from the date of delivery. EZ Way mattresses and pillow of fabric covered PVC over polyester foam shall be warranted for a period of six months from the date of delivery. This warranty is in lieu of any other warranty or representation, expressed or implied. Warranties of MERCHANTABILITY or FITNESS FOR ANY PARTICULAR USE OR PURPOSE are expressly excluded. EZ Way will not be responsible for any expenses, inconvenience or incidental or consequential damages occasioned by the use, loss of use, or misuse of the products, or by the failure of the products to conform to the warranty set forth above. This warranty becomes void if the product shows evidence of mishandling, tampering, installation or use contrary to the applicable instruction materials, shipping damage, or repair. Routine cleaning, adjustment, and normal cosmetic and mechanical wear are not covered by this warranty.



CE mark: Certificate of registration at the LÄKEMEDELSVERKET Medical products agency in Sweden
Dnr.452:2008/83584.

Free sales certificate at the LÄKEMEDELSVERKET Medical products agency in Sweden.

TECHNICAL SPECIFICATIONS

Operating Height Range:	0 - 38"
Working Load Limit:	330 lbs.
Structure:	Powder-coated, zinc-plated steel and stainless steel
Casters:	Two casters with brakes and two with straight steering
Control:	Foot control for height adjustment
Mattress, Pillow:	Flame retardant material
Battery:	Rechargeable, 24 V