



EZ Way, Inc.

“Your Total Patient Lift Solution”

EZ 3200 Shower Trolley

Operator’s Instructions



EZ Way, Inc.
PO Box 89
Clarinda, IA 51632
1-800-627-8940
www.ezlifts.com

Form 2-308
Rev. 05/11/2023

⚠WARNING: Cancer and Reproductive Harm - www.P65Warnings.ca.gov.

Table of Content

1.	Safety Notes	3
2	Intended Use, Product description and Technical specification	4
3	Safety and control instructions	5
4	Unpacking	6
5	Installation	6
6	Features and Controls for the shower trolley	7
6.1	Initialization/Calibration of the columns	8
6.2	Height control for the shower trolley	8
6.3	Battery usage recommendations for Onboard batteries	9
6.4	Charging instructions and battery status for Onboard batteries	10
6.5	Battery usage recommendations for Removable batteries	11
6.6	Charging instructions and battery status for Removable batteries	12
6.7	Side Rails	13
6.8	Castor Brakes	13
6.9	Straight Steering Castors	14
6.10	Drainage outlet	14
6.11	Drainage hose	14
6.12	Drainage plug	14
6.13	Cleaning and Disinfection	15
6.14	Attachment of the mattress	15
7	Patient Handling – Procedures for the shower trolley	16
7.1	Patient transfer from wheelchair onto the shower trolley	16
7.2	Patient transfer from bed onto the shower trolley	17
7.3	Patient transfer from lift onto the shower trolley	18
7.4	Showering patient	19
8	Routine maintenance	20
9	Labels on the shower trolley	21
10	Maintenance record	22
11	Training record	23

The EZ3200 battery operated shower trolley (500 lb. patient wt. limit) is unique with its side mounted column, allowing the trolley stretcher to overlap the bed for a safe and easy resident transfer.

The EZ3200 height adjustable shower trolley is a great solution to prevent back injuries, minimize static load, and offers a safe and ergonomic working environment for the caregiver.

The trolley assists and functions at the bed side allowing a safe patient transfer onto the trolley, providing a safe patient handling environment for both the resident and the caregiver.

1. Safety Notes

Always study this manual carefully before operating the EZ 3200 Shower Trolley. Operating instructions and recommended maintenance procedures are explained in the following pages.

Only qualified staff who understand all operating and safety procedures may operate this equipment. The trolley is designed for years of trouble-free operation when properly used and maintained.

If you have any questions regarding the operation or maintenance of your shower trolley, contact us at 1-800-627-8940. Additional copies of these instructions can be downloaded from EZ Way's website, www.ezlifts.com.

 WARNING:
Do not use the shower trolley in any way that varies from the safety precautions and operating procedures detailed in this manual. The equipment must not be operated by anyone until the user has read and understood the instructions in this manual.

2. Intended Use, Product Description and Technical Specifications

Intended use:

The device EZ 3200 is a battery operated shower trolley.

The device is intended to ease transferring and caring of the patient. Typical situations where the device is used include transporting the patient to and from a shower area, showering and cleaning and dressing the patient and changing diapers.

The patient is typically a person who is unable to take care of their own personal hygiene.

The device is NOT intended to be used by a patient that exceeds a weight of 500 lbs.

The device is not intended to come in contact with injured skin.

The user is any adult person who is capable of reading and understanding the operating manual and is qualified to care for dependent persons/patients.

Before using the device, the user must read and understand the operating manual.

The device is intended to be used indoors in all types of care facilities and private homes, including hygiene areas.

Product Description				Options
Product	Description	Battery solution	Art.No	
EZ 3200	Shower Trolley	Onboard battery	0532000	<ul style="list-style-type: none"> • Backrest wedge pillow, 15° or 30° • 2,5m / 98,4" drainage hose • 4pcs Twin castors Ø100mm/4" with brake
EZ 3200L	Shower Trolley	Onboard battery	0532010	
EZ 3200 R	Shower Trolley	Removable battery	0532005	
EZ3200 LR	Shower Trolley	Removable battery	0532015	

Data	EZ 3200	EZ 3200L
Length	76.8"	84.6"
Width	27.4"*	31.3"
Weight	187 lbs.	205 lbs.
Operating height range	19.7 - 35.4" **	19.7 - 35.4" **
Maximum working load (Patient + water)	500 lbs.	500 lbs.
Chassis / Frames	Powder coated stainless steel	Powder coated stainless steel
Drainage hose	39.4"	39.4"
Castors	2pcs Twin castors Ø100 mm / 4" with brake and 2pcs Twin castors Ø100mm / 4" with straight steering	2pcs Twin castors Ø100 mm / 4" with brake and 2pcs Twin castors Ø100mm / 4" with straight steering
Mattress & Pillow (Standard color Blue)	Flame retardant material	Flame retardant material
Batteries	Rechargeable 24VDC	Rechargeable 24VDC
Control	Hand Control for height adjustment and tilt function	Hand Control for height adjustment and tilt function
Tilt angle	4°	4°

* With side rails in upright position ** From floor up to stretcher

3. Safety and Control Instructions

If you have a question regarding the operation or maintenance of your Shower Trolley and cannot find the answer in this manual, please call your local TR representative.

- Only qualified staff, who understand all operating and safety procedures may operate the equipment.
- Always physically check water temperature before and during showering.
- The patient must be positioned comfortably on the stretcher mattress, with side rails securely locked.
- The bodyweight of the patient and/or body parts should never lean or be supported against the stretcher side rails.
- Never leave the patient unattended.
- Do not let the patient sit on the short ends on the stretcher.
- Make sure that all parts that comes in contact with the patient are intact and without sharp edges.
- Ensure that the Trolley can be moved, raised or lowered safely to avoid any pinch injuries to patient.
- Castor brakes must be securely locked on the Trolley before transferring a patient and once in position over a drain.
- Operate the Trolley carefully when transporting patients through narrow corridors or over irregular uneven surfaces.
- Wipe under the Stretcher to prevent water dripping on the floor.
- Trolley must be cleaned after each use. Always read and follow detergent supplier instructions.
- Avoid skin or eye contact with detergent, which can be highly corrosive. If contact is made, rinse immediately with excess water. If irritation occurs, consult a medical doctor. Always read and follow detergent supplier instructions.
- Never clean mattress and pillow in gas sterilization unit. Mattress and pillow will explode.
- The TR battery charger is the only one approved for charging the Trolley.
- Do not use battery charger in wet or damp areas- potential shock hazard.

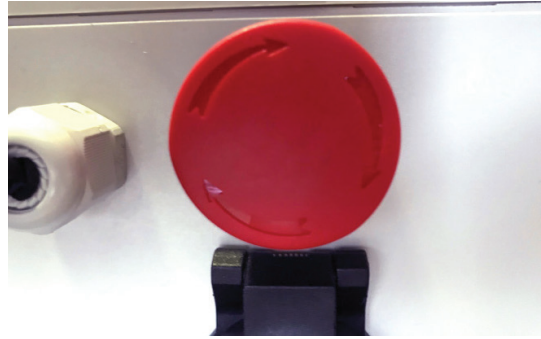
- It is recommended that the Trolley batteries are charged daily or whenever Trolley is not in use. Batteries can not be overcharged.
- Check that castor brakes and straight steering are clean and free from damage.
- Check that side rails are locked in place and free from damage.
- Check that all screws are tightened.
- Mattress and pillow must be kept well maintained in place.
- Trolley must be inspected visually for sign of wear. Trolley should not be used if defects are noted. Prompt service is required.

⚠ WARNING:

Do not use the shower trolley in any way that varies from the safety precautions and operating procedures detailed in this manual. The equipment must not be operated by anyone until the user has read and understood the instructions in this manual.

4. Unpacking

- Be careful if you are using a knife or sharp tools when unpacking. This can cause damage to surfaces and the color coating.
- Visually inspect that there are not transport damages. Any damages must be solved before using the Shower Trolley.
- Report any transport damages to the transporters and EZ Way.
- Check that everything ordered is included in the delivery.



5. Installation

- Release the emergency stop on the battery box underneath the stretcher by turning it clockwise by hand.
- Clean mattress and pillow.
- Mount the drainage hose onto the drainage.
- Mount the plastic holder onto the drainage hose.
- Charge the batteries for at least 24 hours before first use.
- Check that the castor brakes are working.
- Check that the straight steering function is working.
- Check that it's possible to lower and raise the side rails.

See **table of content for instructions.**

Important:

During transport and storage the emergency Stop is activated to save power.

When the emergency Stop is activated you cannot run the EZ 3200.

To start using the EZ 3200, release the emergency Stop.

6. Features and Controls for the shower trolley

- 1 Columns for height adjustment
- 2 Mattress
- 3 Pillow
- 4 Stretcher
- 5 Castors with brake
- 6 Castors for straight steering
- 7 Hand control for height and tilt adjustment
- 8 Siderails
- 9 End supports
- 10 Drainage
- 11 Drainage hose

- 12 Drainage plug
- 13 Holder for drainage hose
- 14 Box for batteries and circuit board
- 15 Charger input
- 16 Control unit for columns
- 17 2 pcs 12V DC batteries
- 18 Ventilation
- 19 Circuit board
- 20 Removable battery pack
- 21 Wedge pillows, 15° or 30° (option)
- 22 Emergency Stop



6.1 Initialization/Calibration of the columns

For functions on the columns to work correctly initialization should be carried out the very first time the shower trolley is started up.

Initialization/Calibration:

1. Use the hand control and press both the UP and DOWN button simultaneously. Keep pressing both buttons through the complete Initialization/calibration.
2. After approximately 8 seconds the shower trolley will automatically start to lower the columns.
3. Continue to hold the buttons until the shower trolley goes all the way down.
4. Once the shower trolley has reached the bottom position the shower trolley is calibrated.

6.2 Height control for the EZ 3200

Always make sure that the patient is comfortably positioned on the stretcher mattress, with side rails securely locked before raising, lowering or tilting the shower trolley.

Raise and lower the shower trolley with the hand control:

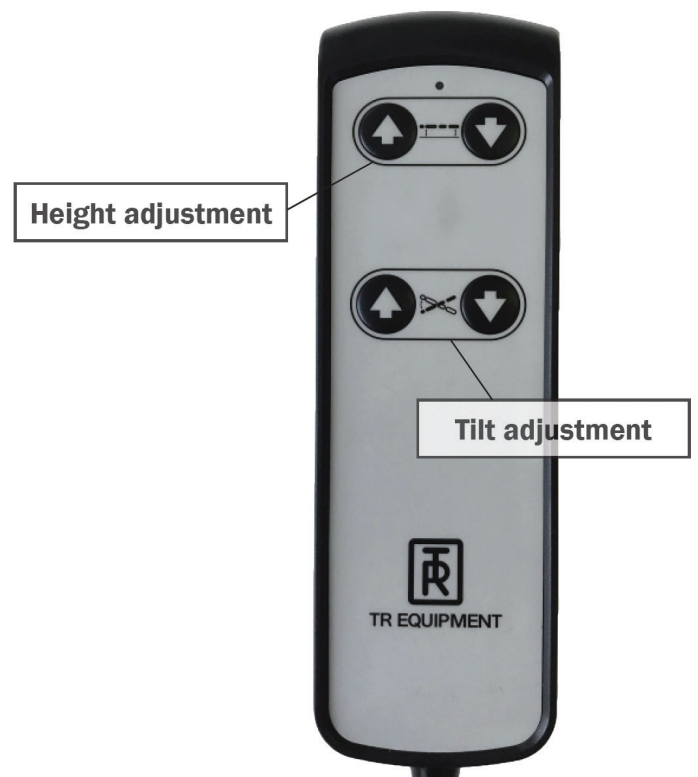
- Raise the shower trolley by activating the hand control. Press the UP arrow symbol on the hand control to desired height.
- Lower the shower trolley by activating the hand control. Press the DOWN arrow symbol on the hand control to desired height.

Tilting the shower trolley with the hand control:

- Tilt the shower trolley by activating the hand control. Press the TILT arrow symbol on the hand control until required angle is achieved.

When re-tilting press the opposite TILT arrow symbol on the hand control until the required angle or neutral position is reached. When the actuators reach the neutral position a “click” will be heard from the control box.

Maximum working load (patient + water): 500lbs



Warning: If the patient needs “Trendelenburg” position, only qualified staff who understands the procedures may operate the Trolley.

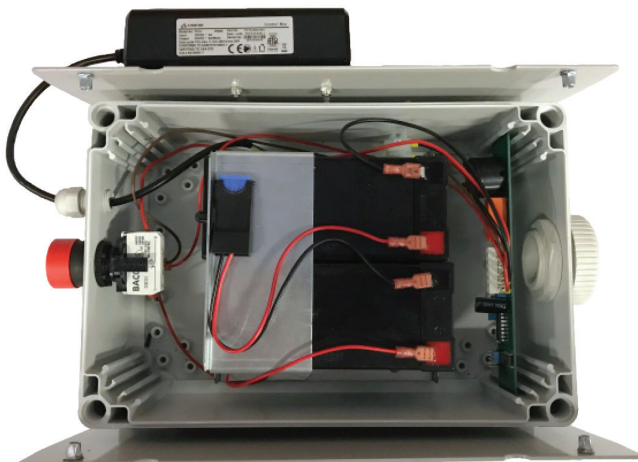
6.3 Battery usage recommendations for Onboard battery solution

The ON BOARD rechargeable battery solution is 24V DC and used as a standard on the shower trolley EZ 3200. The plastic enclosure containing two 12V DC batteries, circuit board and control unit for the columns is attached underneath the stretcher.

- If the shower trolley is used on a daily basis, it's recommended to charge the batteries for at least 8 hours to achieve optimum battery life. Charge the shower trolley daily or when the low battery audible tone sounds, when pressing a button on the hand control.
- If the shower trolley is used intermittently on a weekly basis the batteries must be charged at least once per week for a minimum of 8 hours to achieve optimum battery life. Ideally if a battery is not in use, it should be plugged into the charger and switched on. The batteries cannot be over charged.
- If the shower trolley is not used for more than a week the batteries must be charged for at least 24 hours once every month.

Note:

Batteries in storage not being charged for at least 24 hours every month will eventually lose their ability to hold a charge. If the shower trolley shall not be used or stored for some time, press the emergency Stop to cut the power consumption completely.



6.4 Charging instructions and charging status for the shower trolley

Note:

Use only the battery charger supplied by EZ Way. The charger is intended to be used in dry areas and is not allowed to be installed in bathrooms etc. Connect the battery charger supply to the trolley before it is connected to the mains. Connect the battery charger magnetic plug to the input connector placed on the battery box underneath the stretcher.

Make sure that the plug is completely in place.

- When the battery charger is properly connected, an indicator on the battery will be lit. IF NOT, re-check the connections.
- The LED indicator on the charger shows charging condition, Yellow while charging and Green when the battery is fully charged.
- Charge the batteries for at least 8 hours. The Batteries can never be overcharged.
- When charging is complete, disconnect The battery charger from the mains supply before disconnecting it from the shower trolley.
- A flat fuse (15A) is connected between the batteries in the plastic enclosure for batteries

Important:

If the emergency Stop is activated during charging the batteries will not be charged. There will be a green light on the charger but the batteries will not be charged.



Charger input

Batteries:

If changing the lead batteries, deposit in accordance to local regulations.



6.5 Battery use recommendations for removable, rechargeable 24V DC battery for EZ 3200

- If the shower trolley is used on a daily basis, it's recommended to charge the battery for at least 8 hours to achieve optimum battery life.
- If the shower trolley is used intermittently on a weekly basis the battery pack must be charged at least once per week for a minimum of 8 hours to achieve optimum battery life. Ideally if a battery is not in use, it should be plugged into the charger. The battery pack cannot be over charged.
- If the shower trolley is not used for more than a week, unplug the battery from the shower trolley and charge the battery for 24 hours and the repeat once every month. Batteries in storage not being charged every month will eventually lose their ability to hold a charge.
- The battery must be charged continuously for at least 24 hrs + for any of the following situations:
 - (1) Before first usage
 - (2) Before long term storage (long period = 30 days disconnected from AC power).
 - (3) After long term storage (long period = 30 days disconnected from AC power).
- Remember: The battery pack cannot be overcharged.
If in doubt, leave the battery plugged into the charger.
- On the battery there are ON/OFF buttons placed on the front. The ON/OFF buttons on the battery are used to turn off the battery before long term storage of the shower trolley or if you want to stop the power consumption between the battery and control box while the battery is still connected to the shower trolley.



- To turn off the battery, press the OFF button for about 3 seconds.
- The battery starts up again only when you either:
 - Press the ON button on the battery
 - Connect the battery to the battery charger.
- If you disconnect the battery from the shower trolley, battery shuts off automatically after a short while and this results in the same function as pressing the OFF button for about 3 seconds.

6.6 Charging instructions and battery status for EZ 3200-R (removable battery).

Note:

The charger is intended to be used in dry areas only and is not allowed to be used in wet areas.

It is recommended to check battery status every morning before daily use (see LED indication - color & mode).

Battery pack cable contact should always be unplugged before battery pack is removed from its chair bracket.

Status		LED indication - Color & Mode
Charging State	Green	Continuously short flashing - On (1 sec)/Off (1 sec)
Fully Charged State	Green	Continuously On
High Capacity State	Green	Continuously long flashing - On (0,5 sec)/Off (4 sec)
Low Capacity State	Orange	Continuously long flashing - On (0,5 sec)/Off (4 sec)
Under protection (Turned OFF)	LED is continuously off	

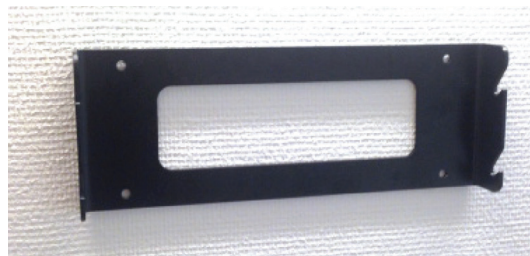
Approx. 8 hours charging time from flat to fully charged. Battery pack can not be overcharged.

Additional battery pack should be stored and charged in a dry area and easy to locate.

The optional wall battery pack bracket should be mounted on a suitable wall in a convenient reachable height.



Removable battery pack is easy to change making the TR 3200 simple to charge and always ready for use.



Battery pack wallbracket. (art.no 3232622)

Charger with plug

Art no. 0521197 = EU (except UK)

Art no. 0521198 = US - Japan

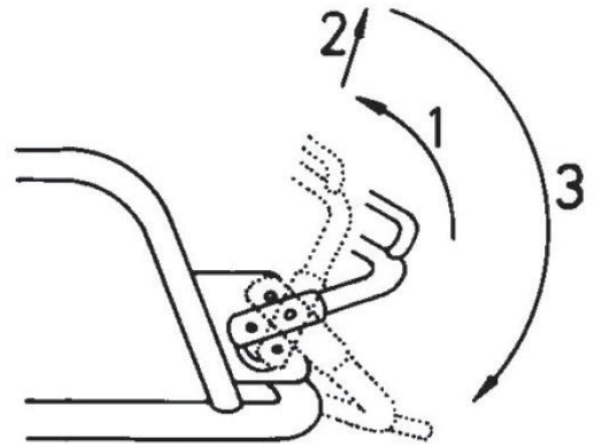
Art no. 0521199 = UK



6.7 Side Rails

The “bed side rail” (transfer side) is easily lowered to a horizontal position for a safe patient transfer and raised again before transport.

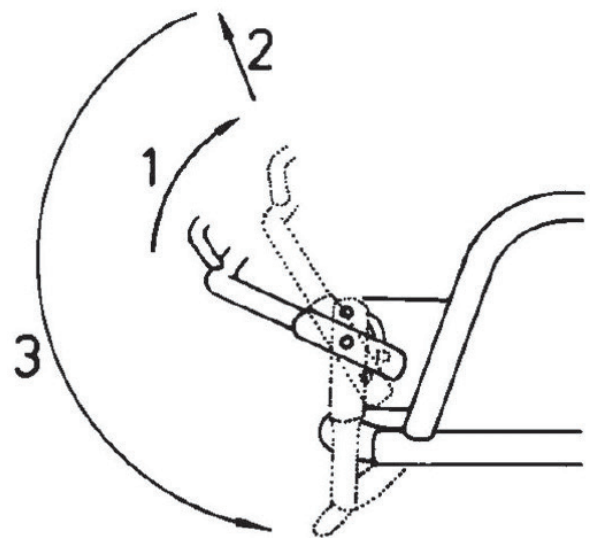
Pull the rail to a vertical position (1), lift the rail to release the two locks at the end of the rail (2) and swing it down to a horizontal position (3).



The side rail on the “nurse side” (opposite the transfer side) pivots freely under the stretcher when performing the steps described above.

Raise the side rail by simply pulling it back into its upright position. Lower it and the two locks will automatically lock into place.

When travelling through narrow doorways, reduce the Trolley width by holding the side rails in a vertical position.

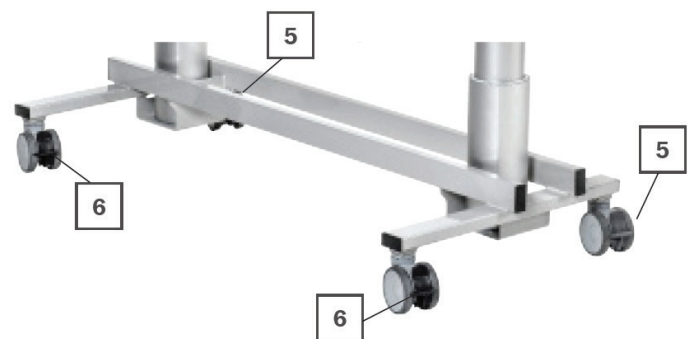


6.8 Castor Brakes

To lock the toe-operated brakes on the two castors (5), press down the end on each grey brake lever until it clicks into position.

To release, push the upper part on the grey lever.

To increase the stability also activate the two straight steering castors (6) by pressing the black lever down.



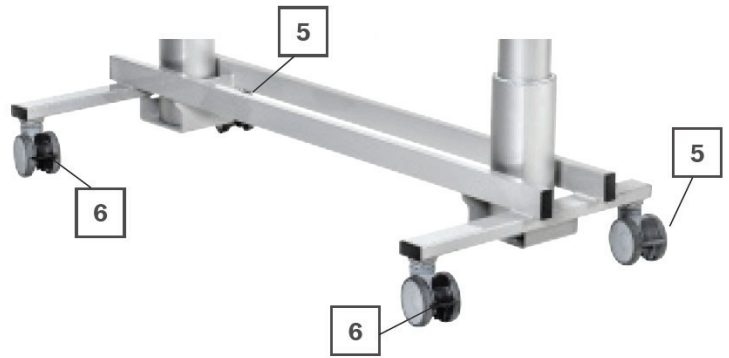
6.9 Straight Steering Castors

The “bed side” castors (6) can be locked for straight steering.

Lock the straight steering on “the front” castor facing the direction you are transporting.

To lock the straight steering, press down the black locking lever on castor. Make sure the wheels locks into position.

To release the straight steering, push the upper part on the black lever.



6.10 Drainage outlet

The drainage outlet is mounted onto the mattress on delivery.

When replacing drainage outlet, please observe that both rubber gaskets shall be mounted underneath the mattress.



6.11 Drainage Hose

The flexible drain hose simply fits onto the drain outlet on the mattress.

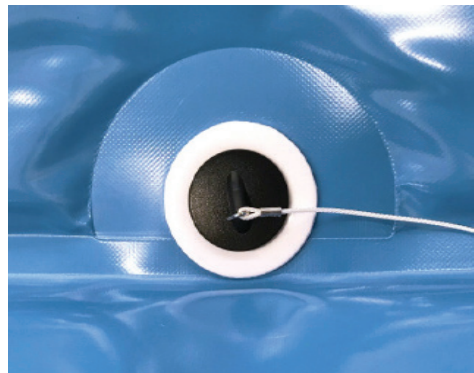
Pull out and bend the hose to prevent splashing when using the Trolley over a drain.

To reduce water dripping on the floor, after use, bend the drain hose nozzle upwards, through the plastic hose holder see picture.



6.12 Drainage Plug

The drainage plug for the drainage outlet is fastened with a nylon string on the stretcher frame.



6.13 Cleaning and disinfection of the shower trolley:

The shower trolley must be cleaned and disinfected immediately after use. Before fastening the mattress and prepare the shower trolley for reuse, ensure the shower trolley is dry.

The shower trolley is manufactured and designed for easy cleaning.

The stretcher has a removable mattress and pillow made of PVC coated fabric.

Warning: Never clean the mattress and/or pillow in a gas sterilization unit. Mattress and pillow will explode.

For a thorough cleaning of the shower trolley the mattress and pillow should be removed.

Loosen the two straps in the head end.

Remove the mattress plastic plate. After cleaning the stretcher, mattress and pillow, thoroughly rinse the parts with the patient shower and wipe dry before the trolley is returned to service.

Note: For use of detergents and disinfectants, follow manufacturer's instructions and recommendations, as well as the instructions/notes described below.

Remarks:

- Use natural, slightly alkaline detergent containing no solvents. (Remove the detergent immediately after cleaning in accordance with the specified exposure time)
- Do not use liquid solvent cleaners such as for example trichlorethylene. This can damage the PVC coated fabric of the mattress and pillow.
- Do not use iodine based disinfectants. These can discolor the PVC coating on the mattress and pillow.
- Alcohol based disinfectants can be used but alcoholic strength must not exceed 40 percent as there is a risk of damage on the surfaces of the shower trolley.

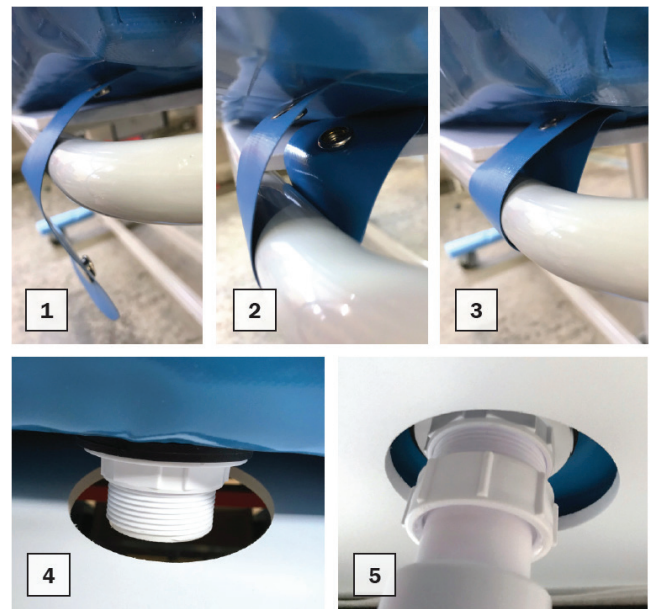
- Do not use water hotter than maximum 45°C.
- Avoid excessive friction and abrasive detergents when cleaning, as this may damage the surfaces of the shower trolley.
- Do not put the shower trolley out to dry in the sun or near a heater, as this may cause discoloration. Avoid damage from overheating.
- Regular cleaning prolongs the life-span of the product.
- Do not wash the shower trolley in an autoclave.

Talk to your suppliers and manufacturers of the disinfectants that you use to clarify the suitability of the disinfectant or to find a suitable disinfectant.

Note: Wipe the stretcher dry also on the underside to prevent water dripping on the floor.

Note: Place only completely dry mattress and pillow on the shower trolley.

6.14 Attachment of the mattress



After cleaning and drying the plastic plate and mattress put it back on the stretcher. Make sure it's properly in place before you put the mattress onto the stretcher.

Fasten the mattress with the two fastening straps at the head end of the mattress (see picture 1-3). There is one fastening strap on each side of the mattress.

Put the mattress drainage into the hole on the plastic plate (picture 4) and assemble the drainage hose onto the mattress drainage (picture 5).

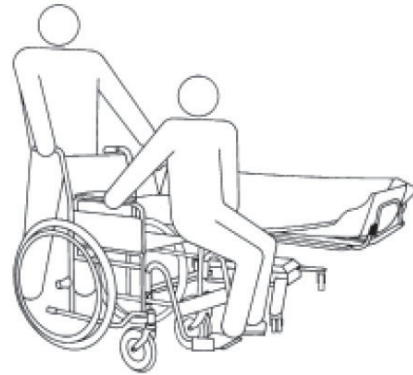
7. Patient Handling - Procedures for the Shower Trolley

7.1 Patient Transfer from Wheelchair onto Shower trolley

You can raise or lower the Shower Trolley using the hand control to match wheelchair height and thus ease the transfer of wheelchair patients.

Two attendants are recommended.

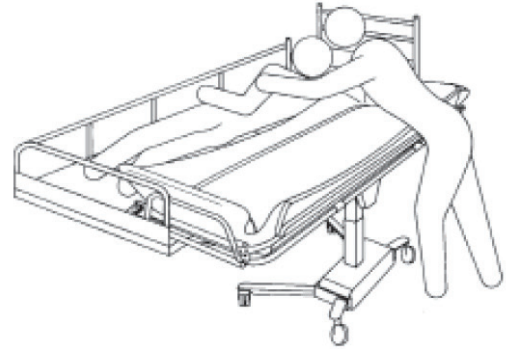
1. Tilt the stretcher to a flat position using the hand control and lower the side rail.
2. Lower the Trolley by pressing the Down arrow button on the hand control.
3. Position the Shower Trolley castors and lock the castor brakes and straight steering.
4. Remove the wheelchair armrest and remove or swing the footrest clear on the transfer side.
5. Centre the wheelchair close to the Trolley “nurse side” and lock the wheelchair wheels.
6. Transfer patient laterally between wheelchair and Trolley, supporting patient under arms.
7. Position patient comfortably on Stretcher, then raise and lock both side rails. Remove the wheelchair. Raise Trolley by pressing the Up arrow button on the hand control to convenient transport height.
8. Unlock the brakes and activate one straight steering castor when transporting.
9. Transport the patient. To return patient to wheelchair from Trolley simply reverse step 1 to 7 in an opposite procedure.



7.2 Patient Transfer from Bed onto Trolley

Follow the recommended procedures. Do not omit any steps. Stay in sequence.

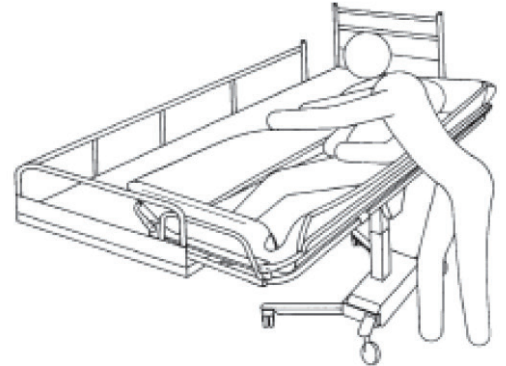
1. Make sure the bed guard rail is raised on the side of the bed opposite from the Trolley.
2. Turn the patient to his/her side, facing away from the Trolley.
3. Lower both side rails. The side rail on the transfer side stops horizontally.
4. Move the Trolley over the bed and lower the Stretcher onto the bed mattress by pressing the Down arrow button on the hand control.



Important:

Make sure that no body parts can be pinched between mattress and stretcher.

5. Lock the castor brakes (5).
6. Transfer the patient to a comfortable position onto the Stretcher mattress.
7. Lift and secure both side rails before the Trolley is pulled away from the bed.
8. Raise the stretcher by pressing the Up arrow button on the hand control.
9. Unlock the castor brakes (5) and pull the Trolley away from the bed.
10. Tilt the stretcher to a comfortable angle for the patient and adjust the trolley height to an ergonomically transporting height. Activate one straight steering castor (6) for easy steering when transporting.



Warning:

Never leave patient unattended.

7.3 Patient Transfer from Wheelchair onto Shower trolley

1. Lower the EZ 3200 to its lowest position by pressing the Down arrow button on the hand control.
2. Position and lock the castor brakes by pressing down the grey brake lever until it clicks into position.
3. Position and lock the straight steering castors by pressing down the black lever until it clicks into position.
4. Make sure that both bed guard rails are in raised position and securely locked.
5. Lower the patient into the shower trolley. When lowering the patient, make sure that no body parts can be pinched and that the patient is placed in a comfortable position.
6. Adjust the EZ 3200 to an ergonomic and comfortable height.

After removing the sling from the patient unlock the castor brakes and transfer the patient to the showering area.

7.4 Showering Patient

When showering, the patient must remain on the Shower Trolley stretcher with the side rails securely locked at all times.

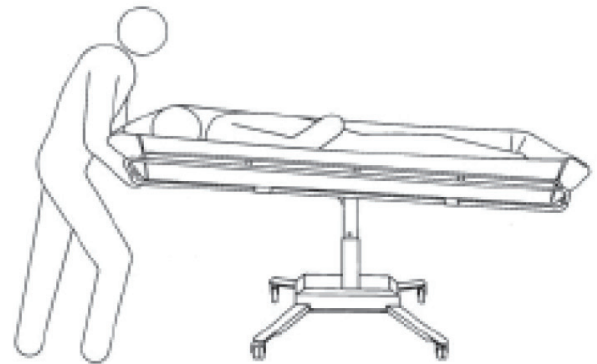
Warning:

Never leave patient unattended.

Always physically ensure that the water temperature is as desired before and during showering or bathing.

1. Place the Shower Trolley foot end over a floor drain or sink and attach the drainage hose and drain plug (if desired).
2. Position and brake the castors.
3. Tilt the stretcher for a comfortable position and to aid drainage by pressing on of the tilt arrow buttons on the hand control.
4. Shower the patient. Body fluids and faeces must immediately be removed to prevent mattress stains.
5. After the patient is showered keep him/her warm wrapped in a bath towel.
6. After showering, thoroughly drain the Trolley and replace drain plug and bend the drain hose nozzle upwards to prevent water dripping on the floor.
7. Tilt the stretcher by pressing one of the tilt arrow buttons on the hand control to an comfortable angle for the patient.
8. Adjust the trolley height to an ergonomically height and if desired, activate the straight steering for easy steering when transporting.

Warning: If the patient needs “Trendelenburg” position, only qualified staff who understand the procedures may operate the Trolley.



8. Routine Maintenance

The recommended frequency of the maintenance routine procedures will depend on how often the equipment is used. It is good practice to establish these procedures and then adjust the frequency as your condition indicate. EZ Way recommends a schedule is kept on file with signatures of the individual(s) conducting the inspections if questions should arise at a later date. The shower trolley EZ 3200 should immediately be taken out of operation if defects or irregularities are noted. Prompt service is required.

DAILY

Routine maintenance:

- Clean the shower trolley after each use according to specified routines in this manual. See table of content for cleaning instructions.
- Use a sponge or brush and remove soap or lime deposits and feces promptly to avoid spots/stains. Rinse thoroughly with fresh water.

Note:

If the lifting columns are exposed to faeces or other contaminants during operation, immediately clean the columns before raising and lowering the shower trolley.

- Charge the batteries/battery pack on a daily basis or whenever the shower trolley is not in use. The batteries/battery packs can't be overcharged.

Note:

If the batteries/battery pack are not charged continuously they will eventually lose their ability to hold a charge.

WEEKLY

Maintenance:

- Visually inspect the shower trolley interior to make sure that there are no nicks or cracks which may scratch the resident.

ANNUAL

Maintenance:

It's recommended to consult an authorized service/maintenance technician to perform a full inspection of the shower trolley annually.



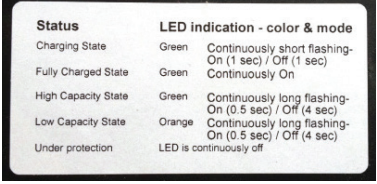

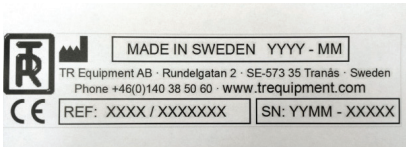

- Thorough inspection of all the above maintenance instructions and assessment of general condition and functionality of the shower trolley should be performed.
- The shower trolley should be immediately taken out of operation if defects or irregularities are noted. Prompt service is required.

MONTHLY

Maintenance:

- Check that all screws and fastenings are tightened.
- It is important that all screws and fastenings are checked and tightened if needed, including those not easily visible.
- Check the shower trolley for signs of damage or high level wear.
- Side rails should be inspected to ensure they are in good condition and that all fasteners are in place and functioning properly.
- Check that all castors are tightened. When replacing castors use only castors and fasteners supplied by EZ Way.
- Castors should be inspected to ensure they are clean and that both locking- and straight steering are fully functioning.
- Check the Raising and lowering function to ensure smooth operation throughout entire lift range.
- Check the tilting function to ensure it works properly.

9. Labels on the shower trolley

1		Maximum working load 500 lbs.												
2		Mandatory to read the operating manual before use.												
3	 <table border="1" data-bbox="298 653 672 835"> <thead> <tr> <th>Status</th> <th>LED indication - color & mode</th> </tr> </thead> <tbody> <tr> <td>Charging State</td> <td>Green Continuously short flashing- On (1 sec) / Off (1 sec)</td> </tr> <tr> <td>Fully Charged State</td> <td>Green Continuously On</td> </tr> <tr> <td>High Capacity State</td> <td>Green Continuously long flashing- On (0.5 sec) / Off (4 sec)</td> </tr> <tr> <td>Low Capacity State</td> <td>Orange Continuously long flashing- On (0.5 sec) / Off (4 sec)</td> </tr> <tr> <td>Under protection</td> <td>LED is continuously off</td> </tr> </tbody> </table>	Status	LED indication - color & mode	Charging State	Green Continuously short flashing- On (1 sec) / Off (1 sec)	Fully Charged State	Green Continuously On	High Capacity State	Green Continuously long flashing- On (0.5 sec) / Off (4 sec)	Low Capacity State	Orange Continuously long flashing- On (0.5 sec) / Off (4 sec)	Under protection	LED is continuously off	Battery pack label (Removable battery pack).
Status	LED indication - color & mode													
Charging State	Green Continuously short flashing- On (1 sec) / Off (1 sec)													
Fully Charged State	Green Continuously On													
High Capacity State	Green Continuously long flashing- On (0.5 sec) / Off (4 sec)													
Low Capacity State	Orange Continuously long flashing- On (0.5 sec) / Off (4 sec)													
Under protection	LED is continuously off													
4		TR Equipment Logotype.												
5		<p>The identification label states the product's model- and part number, serial number, date of manufacture, the manufacturing country and the name and address of the manufacturer.</p> <p>REF = Model - and part number CE = CE marking in accordance with the Medical Devices Directive 93/42/EEC as a Medical Device Class 1. SN = Serial number</p>												
6		Do not sit on the edges of the stretcher.												

WARRANTY, CE MARK & TECHNICAL SPECIFICATIONS:

EZ 3200 Shower Trolley

Warranty: EZ Way warrants that its products are free from defects in materials and workmanship for a period of one year from the date of delivery. EZ Way mattresses and pillow of fabric covered PVC over polyester foam shall be warranted for a period of six months from the date of delivery. This warranty is in lieu of any other warranty or representation, expressed or implied. Warranties of MERCHANTABILITY or FITNESS FOR ANY PARTICULAR USE OR PURPOSE are expressly excluded. EZ Way will not be responsible for any expenses, inconvenience or incidental or consequential damages occasioned by the use, loss of use, or misuse of the products, or by the failure of the products to conform to the warranty set forth above. This warranty becomes void if the product shows evidence of mishandling, tampering, installation or use contrary to the applicable instruction materials, shipping damage, or repair. Routine cleaning, adjustment, and normal cosmetic and mechanical wear are not covered by this warranty.



CE mark: Certificate of registration at the LÄKEMEDELSVERKET Medical products agency in Sweden
Dnr.452:2008/83584.

Free sales certificate at the LÄKEMEDELSVERKET Medical products agency in Sweden.

TECHNICAL SPECIFICATIONS

	EZ 3200	EZ 3200L
Length	76.8"	84.6"
Width	27.4"*	31.3"*
Height	19.7" - 35.4"	
Weight Capacity	500 lbs.	
Chassis	Powder coated stainless steel	
Castors	4" castors with locking brakes. Straight steering castors optional.	
Control	Hand control for height adjustment	
Mattress, Pillow	Flame retardant material - Blue (Standard)/Gray (Option)	
Battery (TR 3000)	On board rechargeable, 24 V, 2 x 7Ah (Removable battery optional)	

*with side rails in upright position