



EZ Way, Inc.

*"Your Total Patient
Lift Solution"*

EZ 1000 Battery Operated Shower Chair

Height Adjustment and Tilt Features for Easy and Efficient Transfers and Showering.



- Offers a dignified environment for both patient and caregiver.
- Height adjustable and can be tilted backward and forward for individual comfort.
- Easy-to-use hand control for height adjustment and tilting.
- Chair can be tilted to shower patient's hair and then adjusted to shower their feet.
- Shaped grip knob armrests provide additional comfort.
- Headrest offers support when reclining.
- Fits over most toilets for clean, easy toileting. Bed pan comes standard and can be inserted under chair seat.
- 440 lb. weight capacity.



Grip Knobs

Armrests feature grip knobs for patient's comfort.



Comfort & Ergonomic

The integrated leg rest is designed for patient's comfort and ergonomic working routines.



Height Adjustment



Reclining Position



Removable Batteries

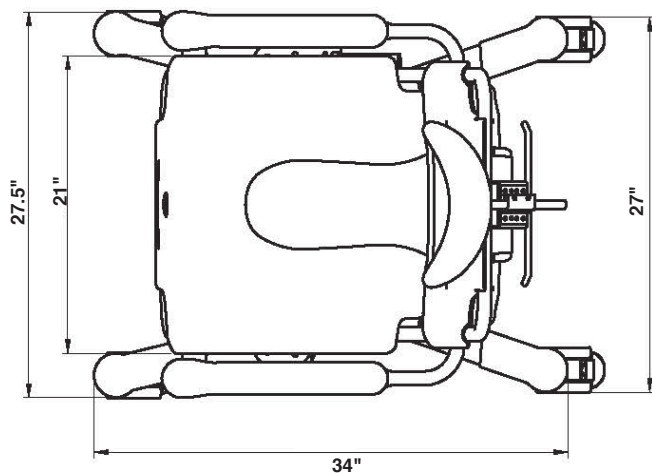
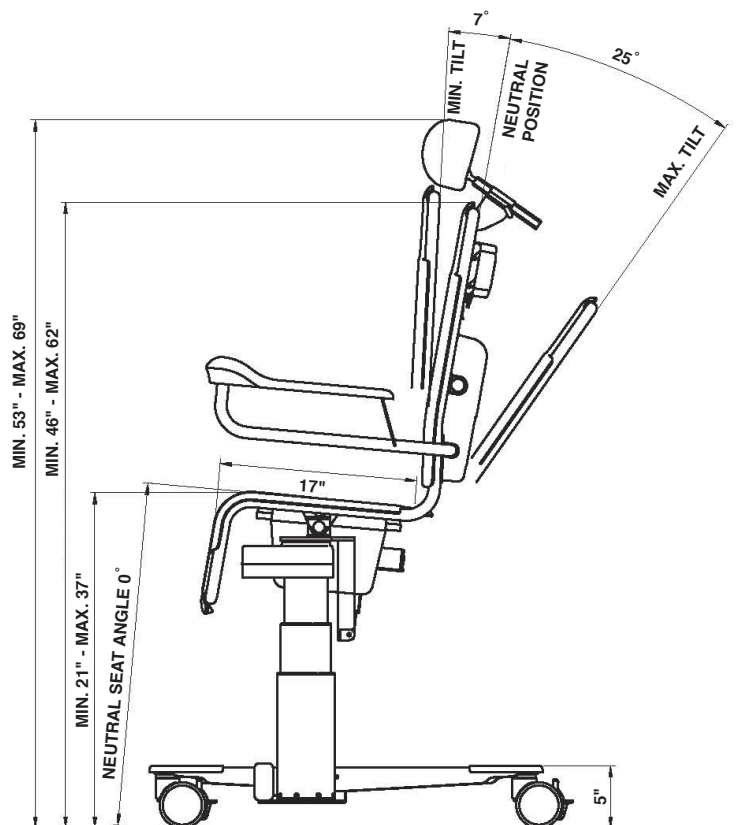
Removable battery packs are easy to change.



Hand Control

Easy-to-use hand control for height and tilt adjustment.

"Your Total Patient Lift Solution"



Features:

- Easy to clean
- Suitable to use with most lifts and standing/raising aids to make transfers smooth and safe
- Extremely stable
- Hip belt and chest belt provided for patient safety

Standard:



Bed pan including lid



Adjustable and foldable footrest

Specifications:

Lifting Stroke Range/ Seat Height Range	16"
Working Load Limit	440 lbs.
Tilt Backwards (Recline)	25°
Tilt Forward	7°
Structure	Powder coated, zinc plated steel, and stainless steel
Casters	Twin 4" casters with locking brakes
Control	Hand control for height adjustment and tilt
Battery	Removable and rechargeable 24 V Lithium Ion