



EZ Way, Inc.

## Service Manual

2000-V21 Hydraulic Shower Trolley  
3000-V21 Battery Operated Shower Trolley

**⚠WARNING:** Cancer and Reproductive Harm - [www.P65Warnings.ca.gov](http://www.P65Warnings.ca.gov).



EZ Way, Inc.

# Table of Contents

**Introduction** .....3

**Manufacturer** .....4

**Spare Parts 2000-V21** .....5

**Spare Parts 3000-V21** .....7

**Spare Parts 3000-V21, On-Board Batteries** .....9

**Spare Parts 3000-V21, Removable Battery** .....11

**Wiring Diagram Circuit Board 3000-V21, On-Board Batteries** .....13

**Wiring Diagram Circuit Board 3000-V21, Removable (Lithium) Battery** .....14

**Service Instructions** .....15

    2000-V21 - How to replace the hydraulic pump and foot pedal .....15

    3000-V21 – How to replace the battery powered lifting column .....16

    2000-V21 / 3000-V21 - How to replace the castors .....17

    2000-V21 / 3000-V21 – How to replace the gas struts .....18

    2000-V21 / 3000-V21 – How to replace the tilt wire .....19

    How to replace foot control or hand control. ....20

    Battery enclosure on-board battery. ....21

    Battery enclosure removable battery. ....22

    Electrical trouble shooting, 3000-V21 on-board batteries .....23

    Electrical trouble shooting, 3000R-V21 removable battery .....24

Service Manual & Spare  
Parts List  
Version 2021-09-08



Registered at Medical Products  
Agency, Sweden,  
as a MD Class 1 product,  
MDR 2017/745.

TR reserves the right to make  
design changes and/or  
improvements without notice.



EZ Way, Inc.

## Introduction

Dear customer,

If you need spare parts and can't find it in the spare parts list, contact EZ Way at (800)-627-8940.



EZ Way, Inc.

**Manufacturer**



TR Equipment AB  
Rundelgatan 2  
SE-573 35 Tranås  
Sweden

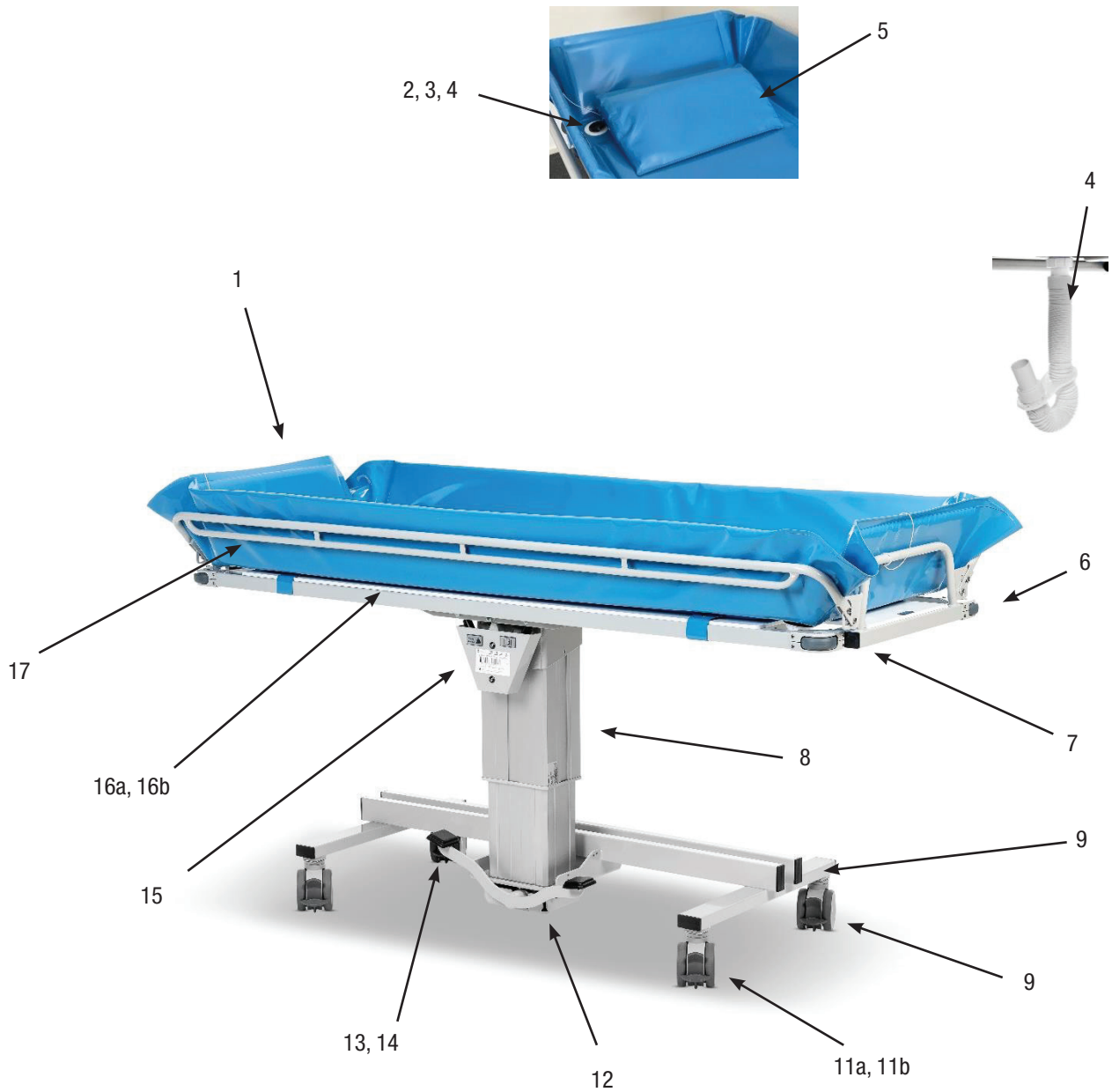
Phone: +46 (0)140 38 50 60  
[www.trequipment.com](http://www.trequipment.com)  
[info@trequipment.se](mailto:info@trequipment.se)



EZ Way, Inc.

# Spare Parts 2000-V21

2000-V21, Hydraulic Shower Trolley  
2000-V21, S-V21, L-V21, W-V21





**2000-V21, Hydraulic Shower Trolley**

2000-V21, S-V21, L-V21, W-V21

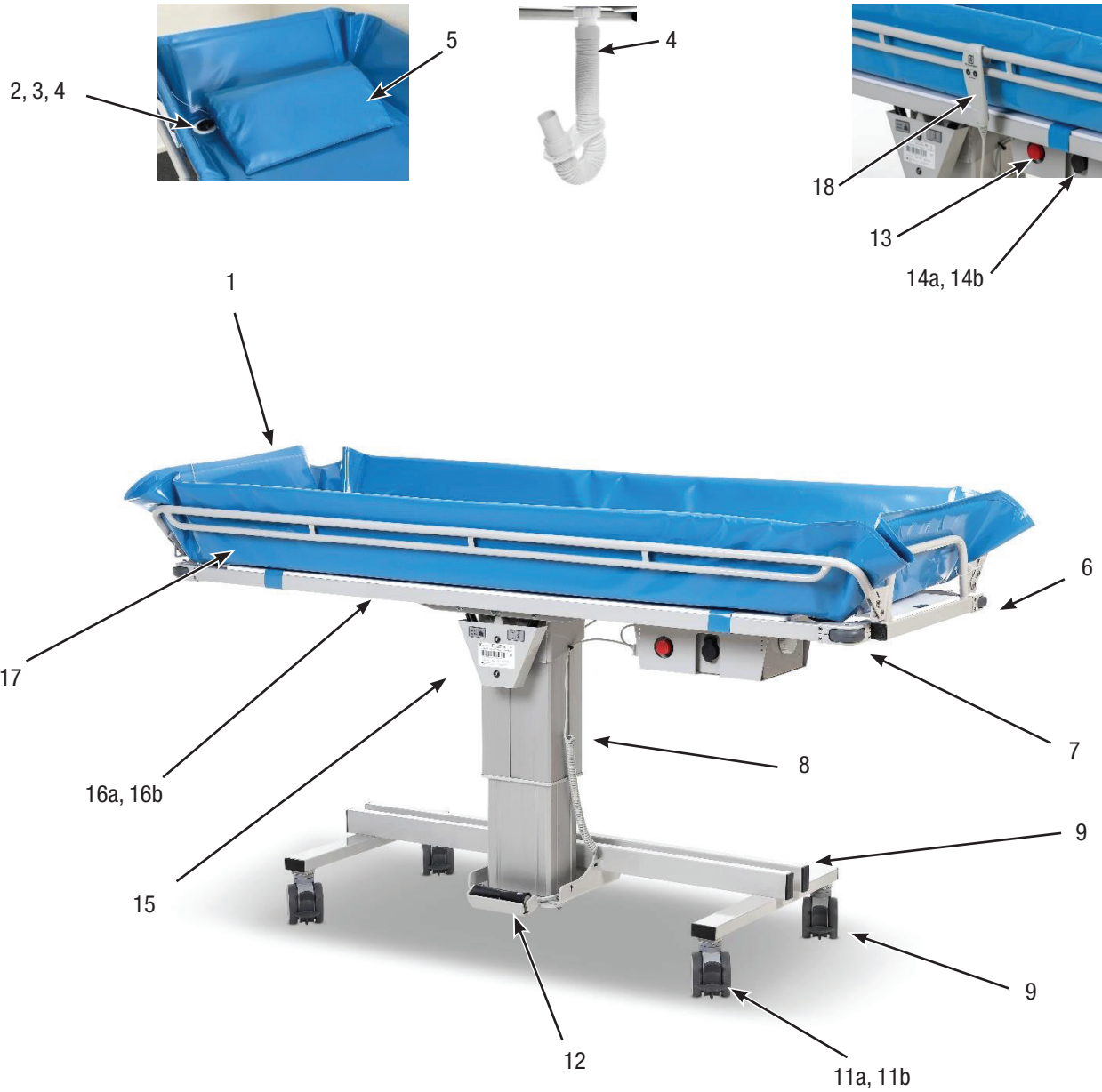
Position	Part number	Spare part	Standard equipment/Option
1	7334645-02	Mattress, Blue, 1900mm (75 in.)	Standard equipment
1	7334645-05	Mattress, Blue, S-V21, 1600mm (63 in.)	Standard equipment
1	7334645-08	Mattress Blue, L-V21, 2100mm (83 in.)	Standard equipment
1	7333480-04	Mattress, Blue, W-V21, 1950mm (77 in.)	Standard equipment
2	829392	Drainage	Standard equipment
3	829391	Drainage plug	Standard equipment
5	820818-4224	Drainage hose, 1M (3 ft.)	Standard equipment
5	820818-4224-25	Drainage hose, 2.5M (8 ft.)	Option
5	7419488-04	Pillow, Blue	Standard equipment
5	7419488	Pillow, Grey	Option
5	7419488-07	Pillow, Yellow	Option
5	7418363-02	Wedge pillow, Blue, 15°	Option
5	7418363	Wedge pillow, Grey, 15°	Option
5	7418363-03	Wedge pillow, Yellow, 15°	Option
6	850133-75	Bumper wheels	Standard equipment
7	851738	End plug 35*35, stretcher	Standard equipment
8	200121	Hydraulic lifting column	Standard equipment
	819200	Hydraulic pump (included in 200121)	Standard equipment
	850256	Tension spring (included in 200121)	Standard equipment
9	850283	End plug 60*30, chassis	Standard equipment
10	851760	Castor with brake (transfer side)	Standard equipment
11a	851760	Castor with brake (nursing side)	Standard equipment
11b	851761	Straight steering castor (nursing side)	Option
12	3334291	Pedal arm, foot pedal	Standard equipment
13	3428405	Pedal plate, foot pedal	Standard equipment
14	7429583	Pedal plate cover, foot pedal	Standard equipment
15	850268	Gas spring (2pcs behind the cover)	Standard equipment
16a	7334060	Plastic plate 1, 2000-V21, 1222*625mm	Standard equipment
16b	7334060-02	Plastic plate 2, 2000-V21, 662*625mm	Standard equipment
16a	7334060-07	Plastic plate, 2000S-V21, 1600*640mm	Standard equipment
16a	7334060-03	Plastic plate 1, 2000L-V21, 1322*625mm	Standard equipment
16b	7334060-04	Plastic plate 2, 2000L-V21, 762*625mm	Standard equipment
16a	7334060-05	Plastic plate 1, 2000W-V21, 1247*680mm	Standard equipment
16b	7334060-06	Plastic plate 2, 2000W-V21, 687*680mm	Standard equipment
17	3234161-1900	Side rail 2000-V21	Standard equipment
17	3234161-1600	Side rail 2000S-V21	Standard equipment
17	3234161-2100	Side rail 2000L-V21	Standard equipment
17	3234161-1950	Side rail 2000W-V21	Standard equipment



EZ Way, Inc.

# Spare Parts 3000-V21

## 3000-V21, Battery Powered Shower Trolley 3000-V21, S-V21, L-V21





## 3000-V21, Battery Powered Shower Trolley

3000-V21, S-V21, L-V21

Position	Part number	Spare part	Standard equipment/Option
1	7334645-02	Mattress, Blue, 1900mm (75 in.)	Standard equipment
1	7334645-05	Mattress, Blue, S-V21, 1600mm (63 in.)	Standard equipment
1	7334645-08	Mattress Blue, L-V21, 2100mm (83 in.)	Standard equipment
2	829392	Drainage	Standard equipment
3	829391	Drainage plug	Standard equipment
5	820818-4224	Drainage hose, 1M (3 ft.)	Standard equipment
5	820818-4224-25	Drainage hose, 2.5M (8 ft.)	Option
5	7419488-04	Pillow, Blue	Standard equipment
5	7419488	Pillow, Grey	Option
5	7419488-07	Pillow, Yellow	Option
5	7418363-02	Wedge pillow, Blue, 15°	Option
5	7418363	Wedge pillow, Grey, 15°	Option
5	7418363-03	Wedge pillow, Yellow, 15°	Option
6	850133-75	Bumper wheels	Standard equipment
7	851738	End plug 35*35, stretcher	Standard equipment
8	7440006	Electric lifting column	Standard equipment
9	850283	End plug 60*30, chassis	Standardutrustning
10	851760	Castor with brake (transfer side)	Standard equipment
11a	851760	Castor with brake (nursing side)	Standard equipment
11b	851761	Straight steering castor (nursing side)	Option
12	7440008	Foot pedal incl. spiral cable	Standard equipment
13a	819310	Emergency stop button	Standard equipment
13b	819312	Contact block for 819310 (inside enclosure)	Standard equipment
14a	819150	Mag Code, port	Standard equipment
14b	819148	Mag Code, charging connector	Standard equipment
15	850268	Gas spring (2pcs behind cover)	Standard equipment
16a	7334060	Plastic plate 1, 3000-V21, 1222*625mm	Standard equipment
16b	7334060-02	Plastic plate 2, 3000-V21, 662*625mm	Standard equipment
16a	7334060-07	Plastic plate, 3000S-V21, 1600*640mm	Standard equipment
16a	7334060-03	Plastic plate 1, 3000L-V21, 1322*625mm	Standard equipment
16b	7334060-04	Plastic plate 2, 3000L-V21, 762*625mm	Standard equipment
17	3234161-1900	Side rail TR 2000-V21/3000-V21	Standard equipment
17	3234161-1600	Side rail TR 2000S-V21 / 3000S-V21	Standard equipment
17	3234161-2100	Side rail TR 2000L-V21 / 3000L-V21	Standard equipment
18	7440001	Hand control	Option



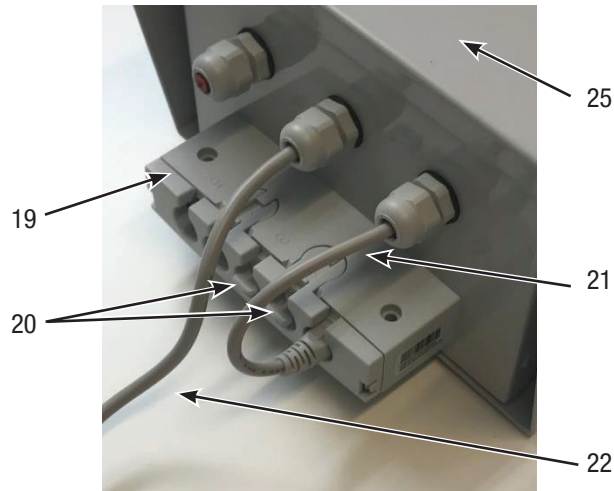
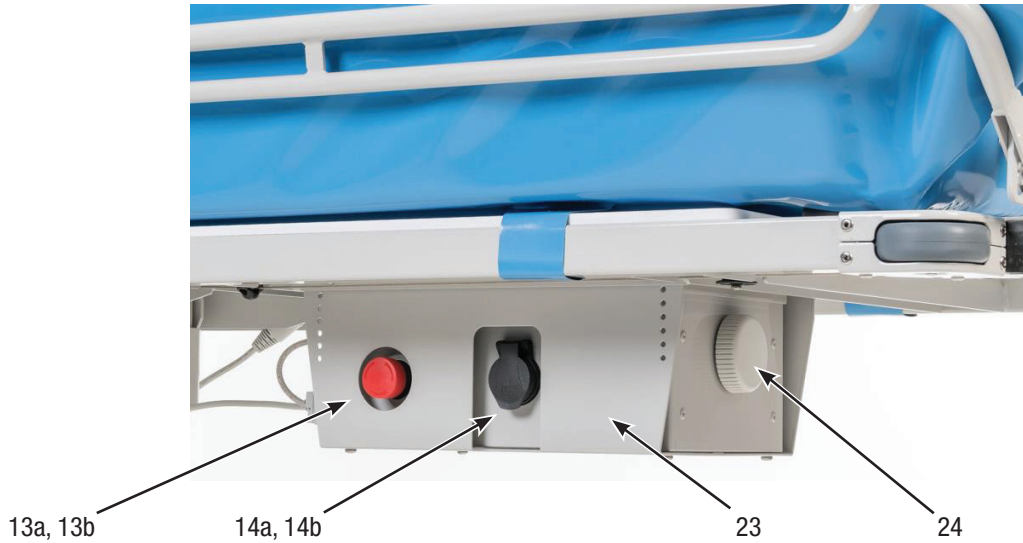


EZ Way, Inc.

# Spare Parts 3000-V21, On-Board Batteries

## 3000-V21, Battery Powered Shower Trolley

Battery enclosure 3000-V21, part number: 200119





EZ Way, Inc.

## Spare Parts 3000-V21, On-Board Batteries

### 3000-V21, Battery Powered Shower Trolley

Battery enclosure 3000-V21, onboard batteries

Position	Part number	Spare part
13a	819310	Emergency stop button
13b	819312	Contact block for 819310 (inside enclosure)
	829144	EPDM gasket, emergency stop
14a	819150	Mag Code, port
14b	819148	Mag Code, charging connector
	829143	EPDM gasket, Mag Code port
17	851650	Cable gland PG9
	851650-03	EPDM gasket, cable gland PG9
	851650-02	IP plugg for cable gland PG9
	810146-5415	Nut for cable gland PG9
19	7440002	MJB Junction box
20	7440004	IP Plug, MJB junction box
21	7440003	Circuit board cable, MJB junction box
22	7440007	Cable, Lifting column
23	3334619	Mounting plate, battery enclosure
24	819171	Vent plug
25	3434698	Lid, battery enclosure
<b>Inside enclosure</b>		
	819030	Lead battery 12V 7Ah (2st)
	819354-02	Circuit board
	850722	Circuit board holder
	7429679	Cabling
	3330022	Battery holder
<b>Battery charger</b>		
	0541226	Battery charger Mag Code
	819141	US Plug for battery charger

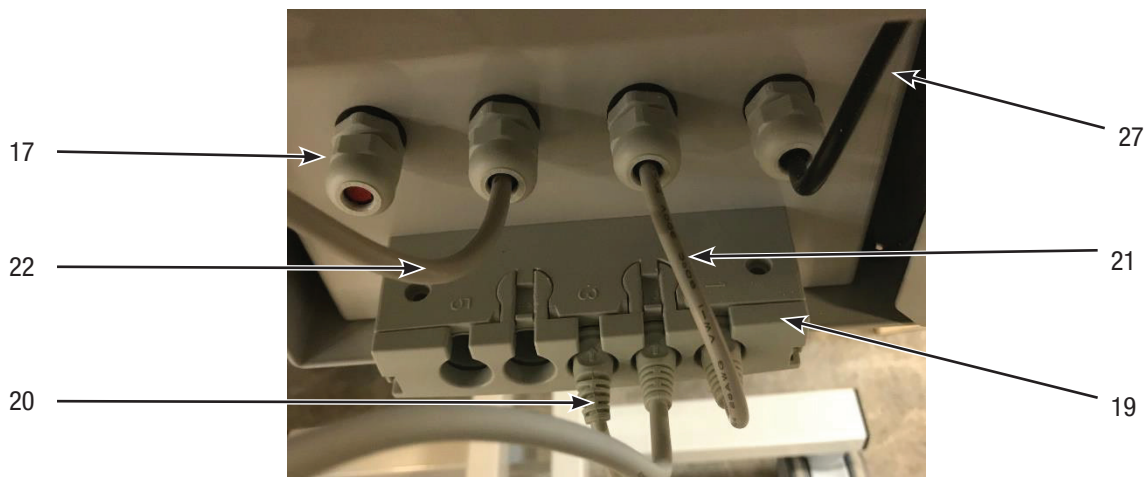
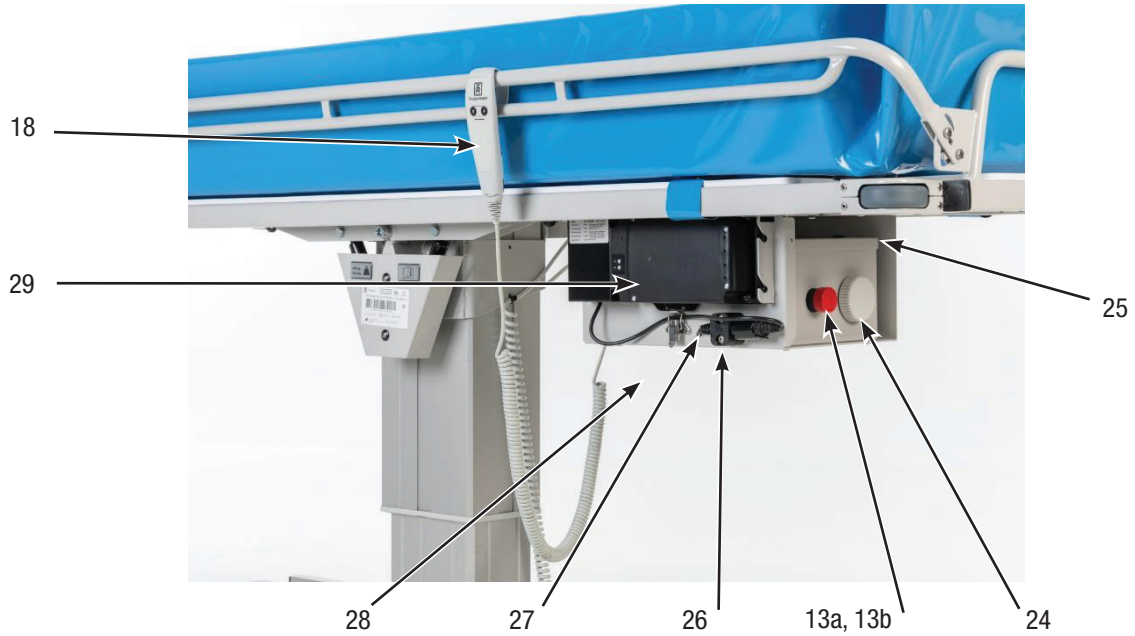


EZ Way, Inc.

# Spare Parts 3000-V21, Removable Battery

## 3000-V21, Battery Powered Shower Trolley

Enclosure 3000R-V21, removable battery





EZ Way, Inc.

# Spare Parts 3000-V21, Removable Battery

## 3000-V21, Battery Powered Shower Trolley

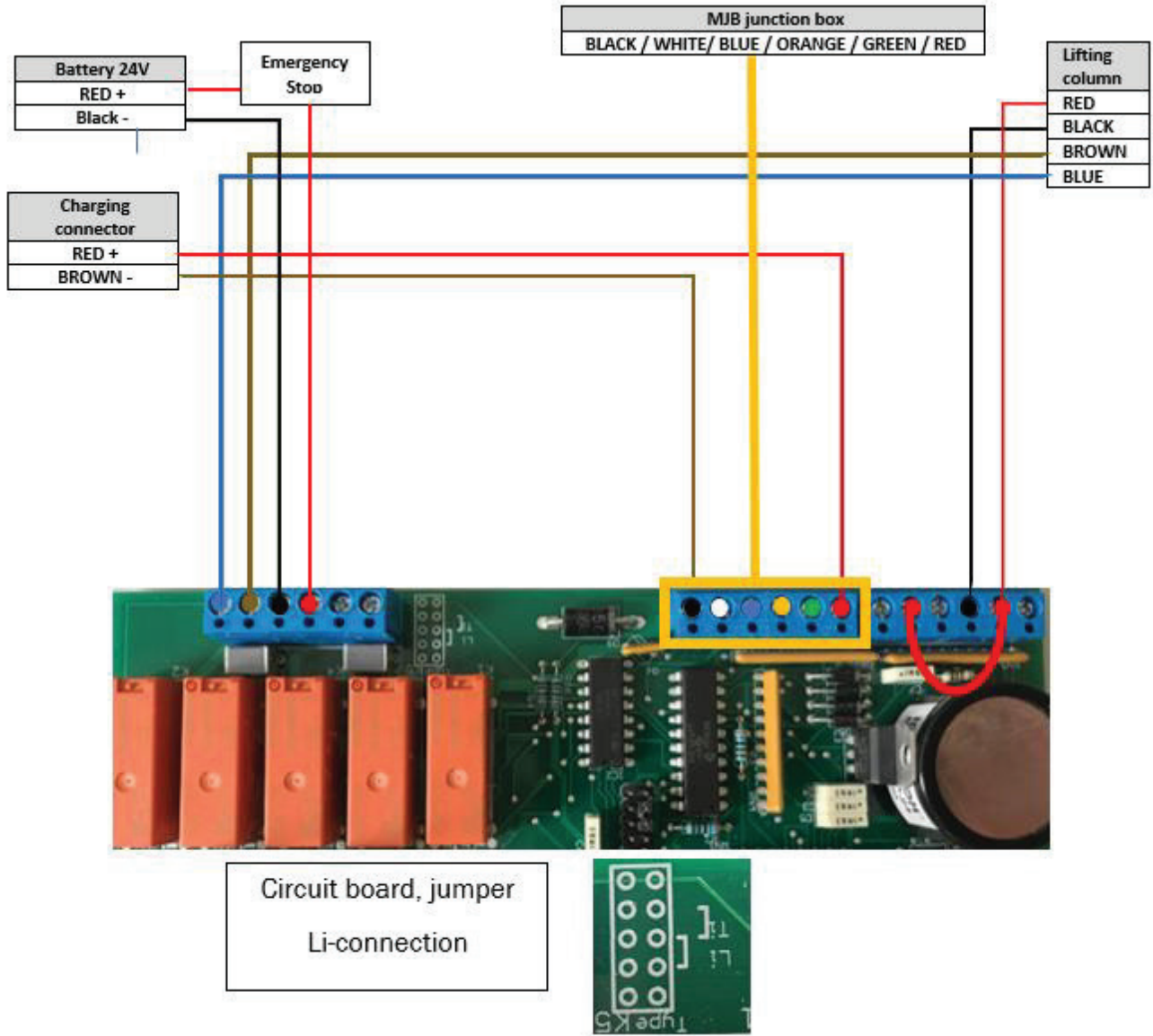
Enclosure 3000R-V21, removable battery

Position	Part number	Spare part
13a	819310	Emergency stop button
13b	819312	Contact block for 819310 (inside enclosure)
	829144	EPDM gasket, emergency stop
17	851650	Cable gland PG9
	851650-03	EPDM gasket for cable gland PG9
	851650-02	IP plugg for cable gland PG9
	810146-5415	Nut for cable gland PG9
19	7440002	MJB Junction box
20	7440004	IP plug for MJB junction box
21	7440003	Circuit board cable, MJB junction box
22	7440007	Cable, Lifting column
24	819171	Vent plug
25	3434698	Lid, enclosure
26	850244	Holder for charging connector (2pcs required)
27		Male charging connector incl. cable
28	3334626	Mounting plate, enclosure & battery holder
<b>29</b>		<b>Lithium battery</b>
	200110	Lithium battery incl. mounting plate and cable
	853101	Adapter cable (included in 200110)
<b>Inside enclosure</b>		
	819354-02	Circuit board
	850722	Circuit board holder
<b>Battery charger</b>		
	0521198	Battery charger US



EZ Way, Inc.

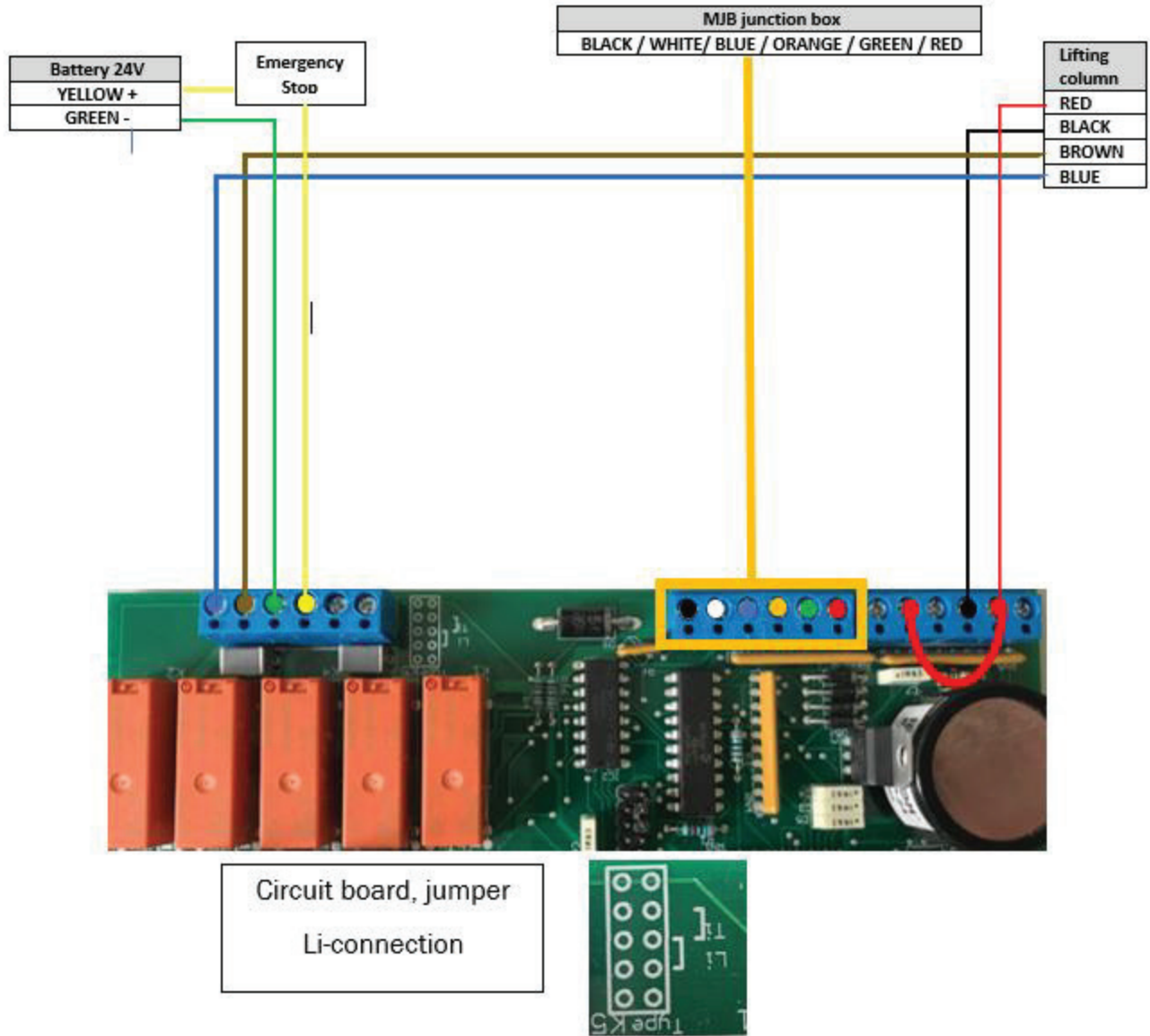
# Wiring Diagram Circuit Board 3000-V21, On-Board Batteries





EZ Way, Inc.

# Wiring Diagram Circuit Board 3000-V21, Removable (Lithium) Battery





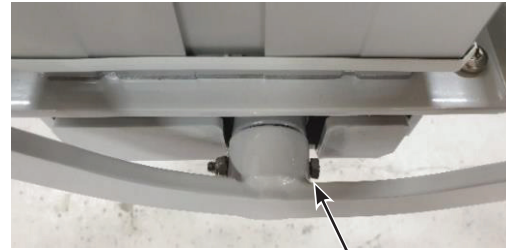


EZ Way, Inc.

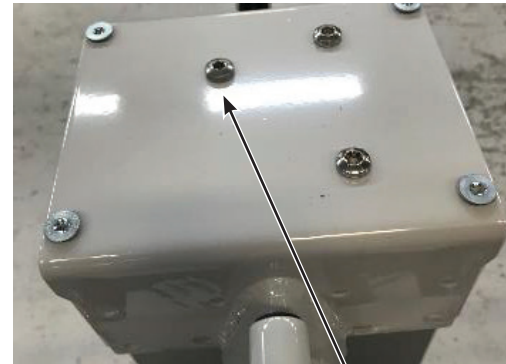
## Service Instructions

### 2000-V21 - How to replace the hydraulic pump and foot pedal

- Remove mattress, pillow, and plastic plate from the shower trolley.
- Loosen and remove the Foot pedal screw.
- Loosen and remove the Piston rod screw.
- Loosen and remove the pump bracket.
- Pull out the pump and bracket from the lifting column.
- Loosen and remove the hydraulic pump from the Pump bracket.
- Assemble the new pump on the bracket and push the pump into the lifting column.
- Fasten the piston rod with the piston rod screw. Tighten the screw 50%.
- Fasten the pump bracket.
- Tighten the Piston rod screw 100%.
- Re-assemble plastic plate and mattress.



Foot pedal screw



Piston rod screw



Pump bracket screws

Pump bracket

Pump bracket screws



Pull out the pump / Assemble pump

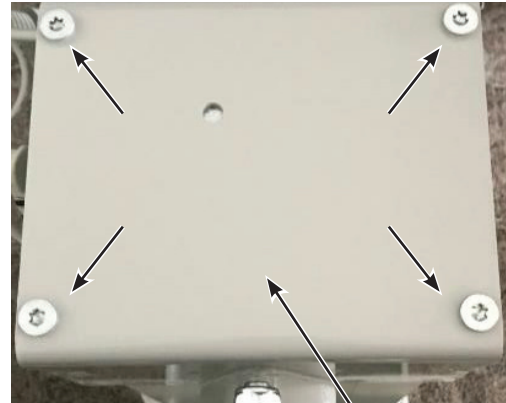


EZ Way, Inc.

## Service Instructions

### 3000-V21 – How to replace the battery powered lifting column

- Remove mattress, pillow, and plastic plate.
- Disconnect the lifting column cable and the cable from the battery enclosure.
- Loosen and remove the foot pedal cable from the MJB Junction box.
- Unscrew the lifting column hat placed on the top of the lifting column.
- Lift the stretcher and lifting column hat off the lifting column.
- Unscrew the lifting column from underneath.
- Assemble the new lifting column in reversed order. Note the position of the lifting column cable.
- If necessary, fasten cables with cable ties.



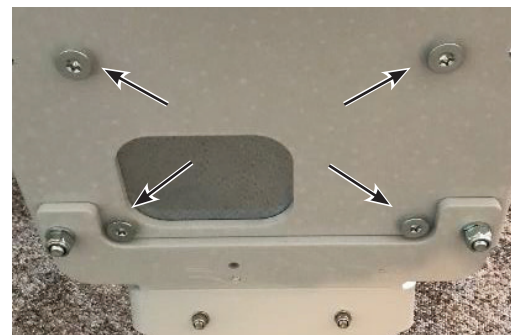
Lifting column hat.  
Loosen and remove the screws.



Lifting column connector



MJB Junction box



Loosen and remove the  
four lifting column screws.





### Castor with brake

- Unscrew the bolt and washer and remove the castor.
- Put the bolt and washer through the new castor. Put Loctite 243 to the bolt threads.
- Make sure the washer between castor and chassis is in correct position.
- Tighten the bolt.
- Verify that the brake function on the castor is working properly.

Bolt and washer



### Straight steering castor (factory mounted option)

Same instructions as for the castor with brake, but the washer between straight steering castor and chassis has two straight steering pins.

- Press the Black straight steering pedal until a click is heard.
- Rotate the castor disc until a click is heard.
- Put the bolt and washer through the new straight steering castor. Put Loctite 243 to the bolt threads.
- Assemble the straight steering castor with the pedal pointing inwards.
- Tighten the bolt.
- Verify that the straight steering function on the castor is working properly.

Washer between castor and chassis.



### Straight steering castor (factory mounted option).



Note the position of the pedal when the straight steering function is activated.

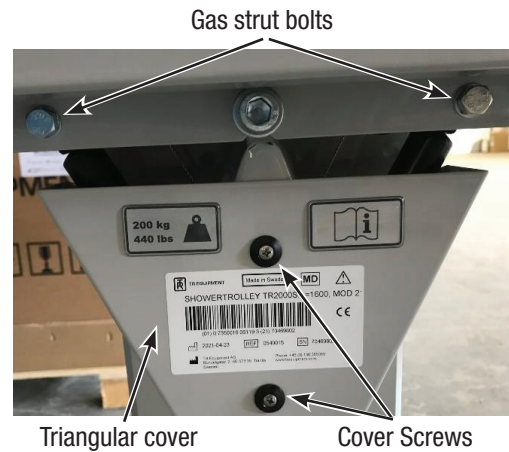


EZ Way, Inc.

## Service Instructions

### 2000-V21 / 3000-V21 – How to replace the gas struts

- Unscrew and remove the triangular cover.
- Loosen the tilt wire (DO NOT REMOVE) in one of the short ends of the stretcher.
- Loosen and remove the Gas strut bolts.
- Unscrew the Gas strut counter clockwise, from the bracket.
- Assemble the new Gas strut into the bracket, tighten the black screw.
- Make sure you don't damage/bend the gas strut pin during the assembly.





EZ Way, Inc.

# Service Instructions

## 2000-V21 / 3000-V21 – How to replace the tilt wire

- Remove mattress, pillow, and plastic plate from the shower trolley.
- Unscrew the tilt wire from both tilt handles and remove the tilt wire from the stretcher and gas strut bracket.
- Unscrew the triangular cover.
- Assemble the new tilt wire to one tilt handle. Tighten the nut 50%.
- Place the tilt wire towards the wire wheel, through the guide hole, through the column hat, through the guide hole and wire wheel on the opposite side and fasten the tilt wire to the second tilt handle.
- Fasten the tilt wire on the second tilt wire.
- Tension the tilt wire and fasten screw and nut 100%.
- Verify that the tilt function works properly. If necessary, adjust the tensioning.



Tilt wire Tilt handle

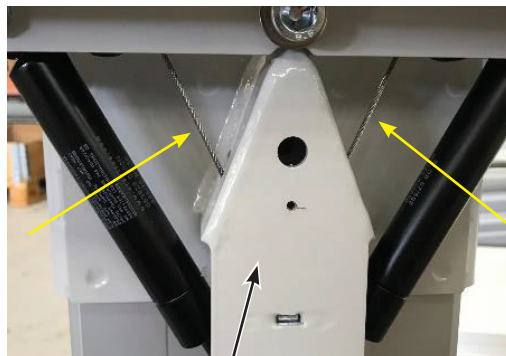


Guide hole

Wire wheel



Triangular Cover

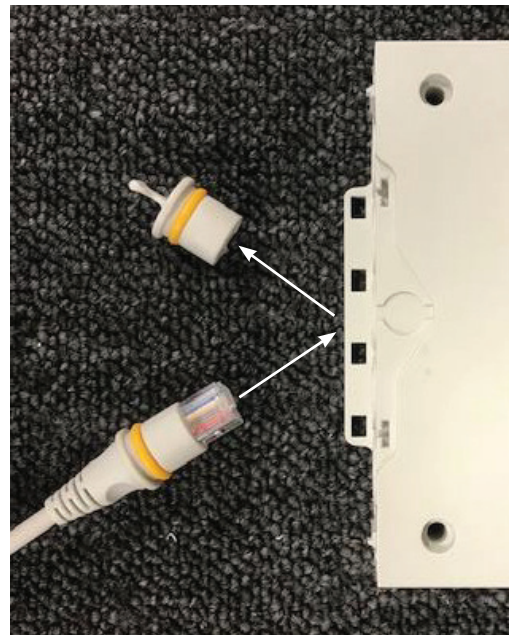
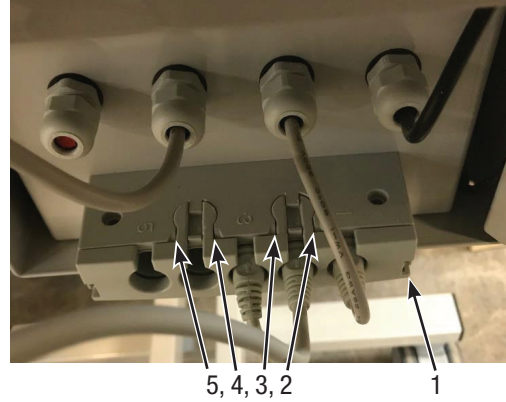


Column hat



**Use a small screwdriver for following steps.**

1. Press the lever 1 to release the MJB bracket.
2. Push up the levers 2-5, one at a time.
3. Remove the plug and replace it with the cable for the hand control.
4. Attach the cover again.





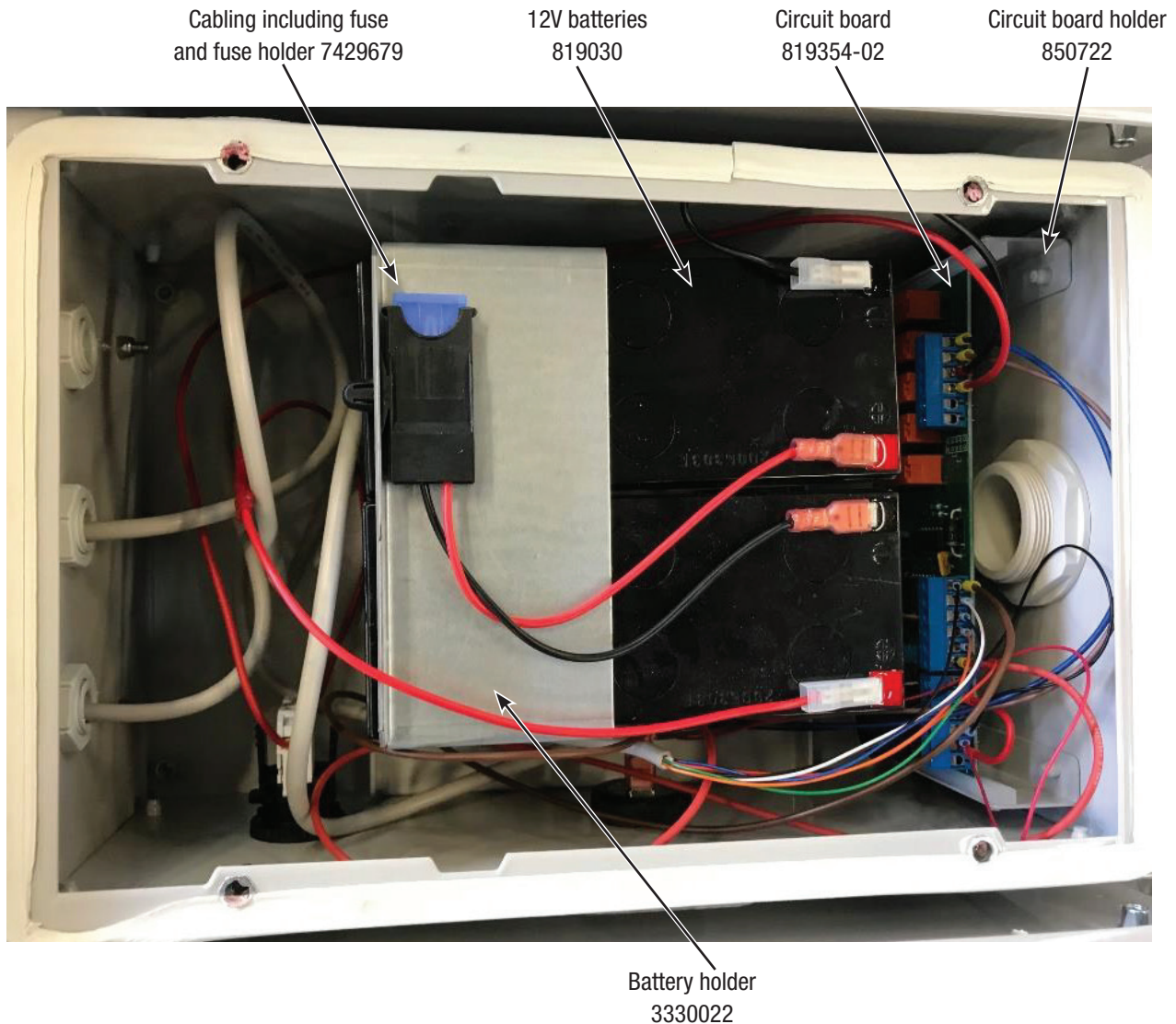
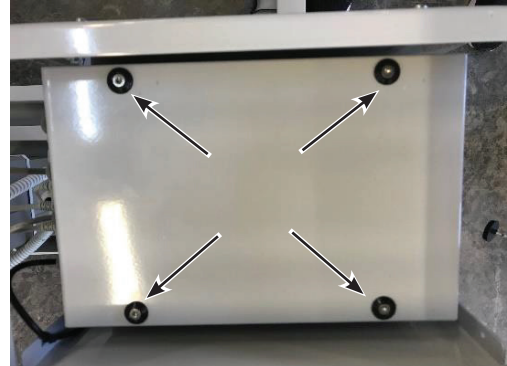


EZ Way, Inc.

# Service Instructions

## Battery enclosure on-board battery

- Remove mattress, pillow, and plastic plate from the shower trolley.
- Unscrew the lid.



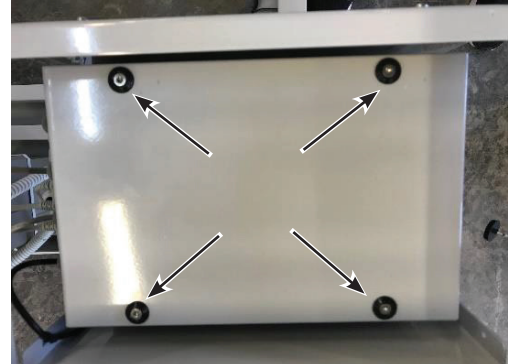


EZ Way, Inc.

# Service Instructions

## Battery enclosure removable battery

- Remove mattress, pillow, and plastic plate from the shower trolley.
- Unscrew the lid.



Emergency stop 819310

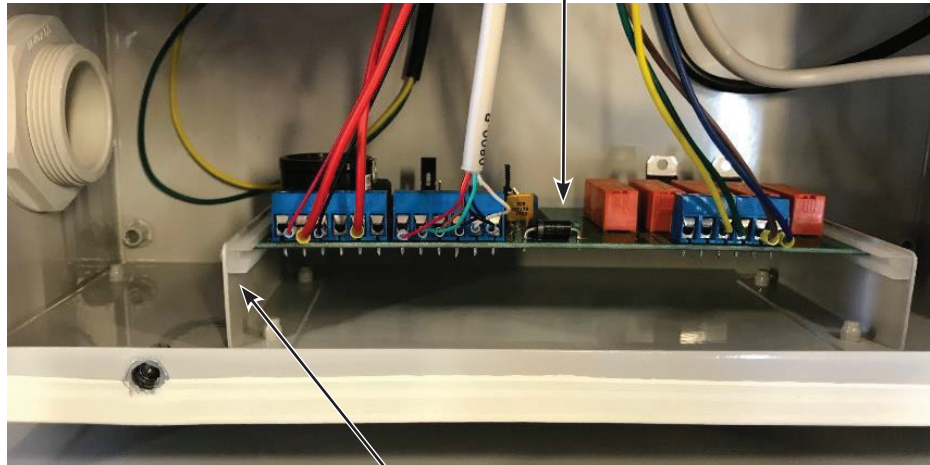
Contact block 819312

EPDM gasket 829144



Vent plug  
819171

Circuit board  
819350-02



Circuit board holder  
850722



Problem	Check list
<p>The lifting column doesn't work.</p>	<ul style="list-style-type: none"> <li>• Is the emergency stop activated? (Release if necessary)</li> <li>• Is the contact block for the emergency properly fastened?</li> <li>• Check the voltage on both batteries.</li> <li>• Check the connections on the circuit board.</li> <li>• Check the wiring diagram.</li> <li>• Is the Circuit board jumper in Li-position?</li> <li>• Is the foot control or hand control, OK?</li> <li>• Replace lifting column.</li> </ul>
<p>The lifting column only work small steps at a time.</p>	<ul style="list-style-type: none"> <li>• Check that the circuit board jumper is in Li-position.</li> <li>• Check the wiring diagram.</li> <li>• Replace circuit board.</li> <li>• Replace the lifting column.</li> </ul>
<p>There's a beep coming from the shower trolley.</p>	<ul style="list-style-type: none"> <li>• If the beep is a long and short beep the batteries must be charged.</li> <li>• If the beep is one long and two short the lifting column needs to be calibrated. (See table of contents in the Operating manual)</li> </ul>
<p>It's not possible to charge the batteries. (The LED light on the battery charger turns Green immediately when I connect the battery charger.)</p>	<ul style="list-style-type: none"> <li>• Check if the emergency stop is activated. (Release if necessary.)</li> <li>• Is the contact block for the emergency stop is properly fastened?</li> <li>• One or both batteries probably have too low voltage. Check the voltage and replace if necessary.</li> <li>• Replace circuit board.</li> </ul>



Problem	Check list
The lifting column doesn't work.	<ul style="list-style-type: none"> <li>• Is the battery ON? (Press the ON button)</li> <li>• Is the battery charged? (charge the battery for at least 8 hours).</li> <li>• Is the emergency stop activated? (Release if necessary)</li> <li>• Is the contact block for the emergency properly fastened?</li> <li>• Check the connections on the circuit board.</li> <li>• Check the wiring diagram.</li> <li>• Is the Circuit board jumper in Li-position?</li> <li>• Is the foot control or hand control, OK?</li> <li>• Replace lifting column.</li> </ul>
The lifting column only work small steps at a time.	<ul style="list-style-type: none"> <li>• Check that the circuit board jumper is in Li-position.</li> <li>• Check the wiring diagram.</li> <li>• Replace circuit board.</li> <li>• Replace the lifting column.</li> </ul>
There's a beep coming from the shower trolley.	<ul style="list-style-type: none"> <li>• If the beep comes from the battery and the battery has an orange light, the battery must be charged.</li> <li>• If the beep is one long and two short the lifting column needs to be calibrated. (See table of contents in the Operating manual)</li> </ul>
It's not possible to charge the battery.	<ul style="list-style-type: none"> <li>• Replace the battery.</li> </ul>