



EZ Way, Inc.

"Your Total Safe Patient Handling Partner"

4000 / 4200 Shower Trolleys

The Shower Trolley that makes Showering and Transferring Easier for Attendants.



4000 - Atlas Bariatric Shower Trolleys

The 4000 and 4200 Atlas Bariatric Multi Tasking Shower Trolleys are designed for lots of power and loads of space. Use them for showering, transport, and as a changing or treatment trolley. The possibilities are endless.

The resident can be transferred from bed to shower and back again in a safe and secure manner. The height of the base allows mobile sling lift transfers. Rechargeable battery-powered dual actuators raise and lower the stretcher easily and quietly with an easy-to-use hand control. The hand control operates tilts to a "Trendelenburg" position (5°) when desired. An audible tone sounds when the stretcher is level.

The side rails keep the resident safely in place. Side rails swing down for transfer and lock into up position for resident security and a secure transport. Each trolley has central foot-operated caster brakes and straight steering. For tall residents, the head end rail can be folded to a horizontal position for extra length. The stretcher has two positions: flat for transfer and tilt for transport, shower and improved drainage. Each trolley is delivered with mattress, high-capacity rechargeable batteries, hand control, drain plug and hose.



Tilting for **"Trendelenburg"** position (5°) and easy drainage.



4000 - **Head end rail folds** to horizontal position for extra length.



Convenient single foot control for straight steering and brakes.



Included Accessories

- 3 ft. drain hose
- Stopper
- Head pillow
- Mattress
- 6" standard casters

Options / Accessories

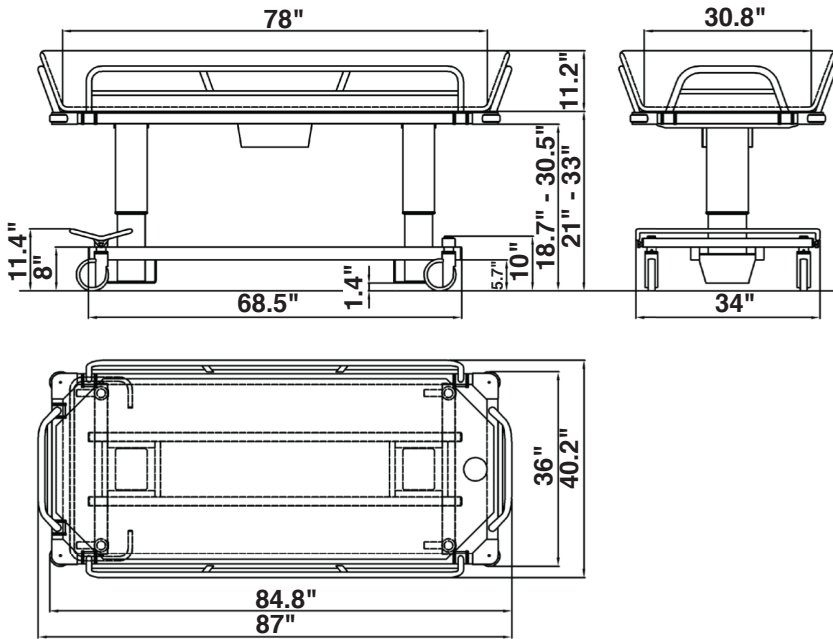
- Bariatric backrest wedge pillow - 15° or 30°
- Removeable battery 24 V / 4 Ah
- 8 ft. drain hose



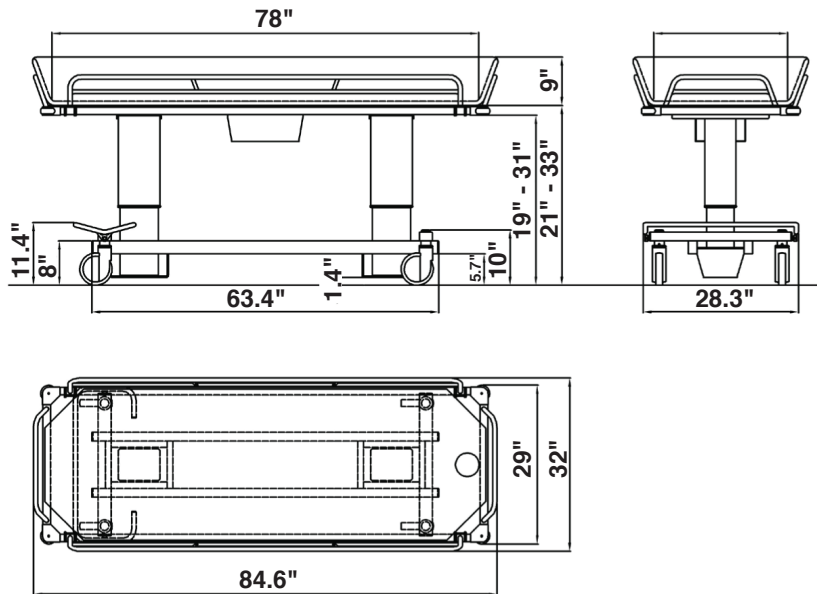
Side rails swing down or lock in horizontal position for transfer and up for safe transport.



"Your Total Safe Patient Handling Partner"



4000 1000 lb. Capacity
SHOWER TROLLEY



4200 600 lb. Capacity
ATLAS JUNIOR SHOWER TROLLEY

Features

The stretcher is easily and quietly raised by two powerful actuators. The hand control operates the power tilt in both directions and raises and lowers the trolley.

The stretcher can easily be tilted to the "Trendelenburg" position. The adjustable stretcher enables a comfortable working height for the attendant. An audible tone sounds when stretcher is level. When transporting through narrow doorways, the side rails can be folded, reducing the trolley width.

The stretcher has rubber bumper wheels on all four corners to protect walls and doorways. Stretcher comes standard with a soft flame-retardant mattress with drainage at the foot end and includes a drain hose and pillow.

The trolley is made of durable material, powder-coated and zinc-plated steel, making cleaning simple and efficient. The mattress is easily removable.

	4000	4000W	4200
Length	87"	87"	85"
Width	36"	42"	29"
Operating Height Range	21" - 33"	21" - 33"	21" - 33"
Working Load Limit	1000 lbs.	1000 lbs.	600 lbs.
Chassis	Powder-coated and zinc-plated steel		
Castors	Brakes on all four casters and straight steering		
Control	Hand control for height adjustment and tilting		
Mattress, Pillow	Flame retardant material Mattress 4000W: Double-thick Grey		
Battery	Rechargeable, 24 V		



2810 SHOWER PANEL - works for the 4000/4200 as well as the 2000/3000 Shower Trolleys