



EZ Way, Inc.

*"Your Total Patient Lift Solution"*

# **EZ Way Shower Trolleys**

## **2000/3000**

### **Operator's Instructions**



EZ Way, Inc.  
PO Box 89  
Clarinda, IA 51632  
1-800-627-8940  
[www.ezlifts.com](http://www.ezlifts.com)

Form 2-207  
Rev. 12/14/11

The EZ Way Shower trolley is unique with its side-mounted column, allowing the trolley stretcher to overlap the bed further for a safe and easy resident transfer. The trolley allows the attendant to have easy access to the trolley controls, including height adjustment, stretcher tilt, caster brakes and straight steering.

The protective side rails are lowered when the stretcher is located over the bed. Without any heavy lifting for the attendant, the resident is easily, gently and safely positioned on the trolley mattress. The trolley side rails are then secured before moving away from the bed.

The side rail on the attendant side is hinged so that it will fold all the way down. This makes it easier for the attendant to handle the resident during transfer. The trolley stretcher has drains at both ends, allowing the resident to be positioned in either direction. There is no head or foot end specified.

---

## Safety Notes

Always study this manual carefully before operating the EZ Way Shower Trolley. Operating instructions and recommended maintenance procedures are explained in the following pages.

Only qualified staff who understand all operating and safety procedures may operate this equipment. The trolley is designed for years of trouble-free operation when properly used and maintained.

If you have any questions regarding the operation or maintenance of your shower trolley, contact us at 1-800-627-8940. Additional copies of these instructions can be downloaded from EZ Way's website, [www.ezlifts.com](http://www.ezlifts.com).

### **WARNING:**

**Do not use the shower trolley in any way that varies from the safety precautions and operating procedures detailed in this manual. The equipment must not be operated by anyone until the user has read and understood the instructions in this manual.**

# Features and Controls

Position	Description
1.	Support column
2.	Mattress
3.	Stretcher
4.	End supports
5.	Positive brake casters
6.	Straight steering casters
7.	Foot control for raising stretcher
8.	Foot control for lowering stretcher
9.	Foot pedal for raising and lowering stretcher on the hydraulic trolley
10.	Side rails (operator/transfer side)
11.	Side rail lock
12.	Release handle for end tilt
13.	Drain
14.	Drain plug
15.	Drain hose
16.	Removable head pillow
17.	Attachment strap
18.	Studs for mattress attachment straps
19.	Battery charger input

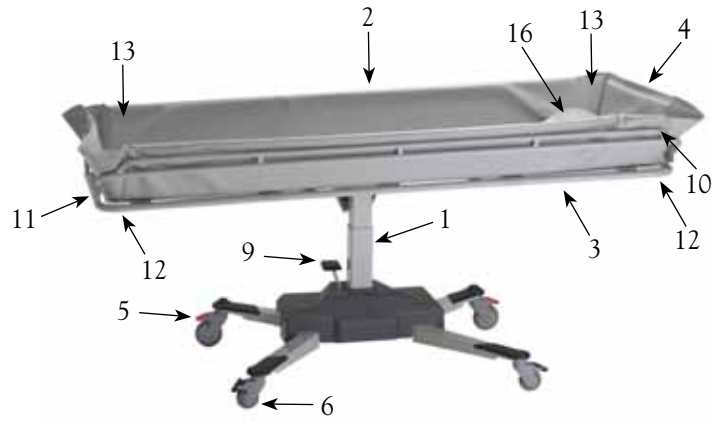


Figure 1 - 2000 Shower Trolley

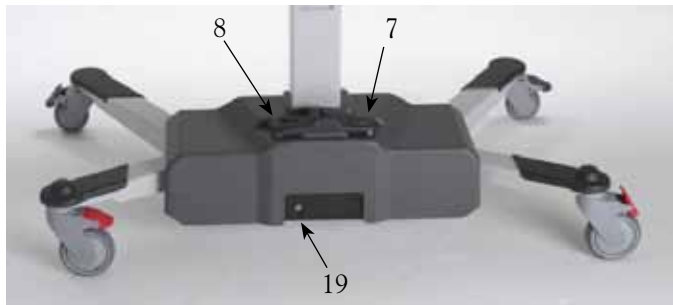


Figure 2 - 3000 Back of Chassis

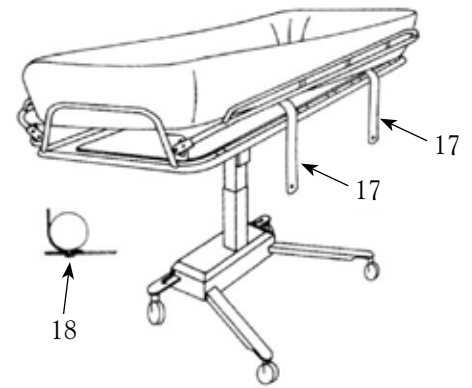


Figure 3 - Shower Trolley Diagram

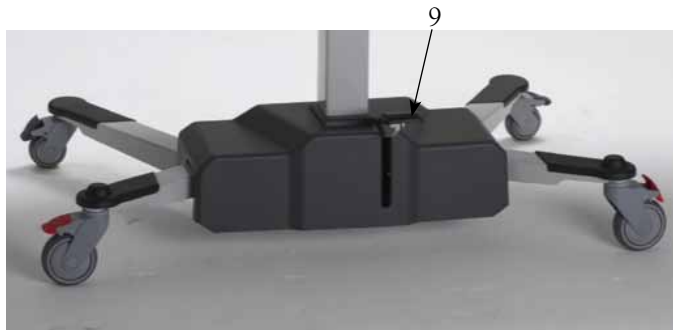


Figure 4 - 2000 Back of Chassis



Figure 5 - Drain

### Height Control for EZ 2000 Hydraulic Shower Trolley

Raise and lower the shower trolley with the foot pedal.

- Raise the shower trolley by pumping the pedal.
- Lower the shower trolley by pressing the same pedal all the way down.

The shower trolley lowers smoothly when the pedal is pressed all the way down and stops immediately when the pedal is released. When new, it is recommend to add some down force with your hand on the stretcher surface.

NOTE: When not in use, swing pedal up against column to narrow shower trolley chassis.

Load limit is 150kg/330lbs.

If the stretcher hits the top position or is overloaded a safety valve opens in the hydraulic piston and the stretcher stops.

### Height Control for EZ 3000 Battery-Operated Shower Trolley

Raise and lower the shower trolley with the foot control.

- Raise the shower trolley by pressing the “up” arrow symbol to the right.
- Lower the shower trolley by pressing the “down” arrow symbol to the left.

The shower trolley raises and lowers smoothly when the foot arrow symbols are activated and stops immediately when the foot arrow symbols are released.

Load limit is 150kg/330lbs.

If the stretcher hits the top position or is overloaded, an audible tone sounds.

### Side Rails

The “bed side rail” (transfer side) is easily lowered to a horizontal position for a safe patient transfer and raised again before transport.

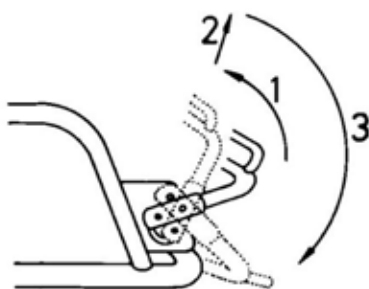


Figure 6 - Bed Side Rail

Pull the rail to a vertical position (1), lift the rail to release the two locks at the end of the rail (2) and swing it down to a horizontal position (3).

The side rail on the “operator side” (opposite the transfer side) pivots freely under the stretcher when performing the steps described above.

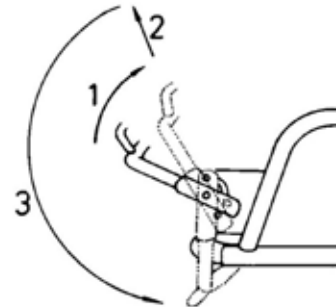


Figure 7 - Operator Side Rail

Raise the side rail by simply pulling it back into its upright position. Lower it and the two locks will automatically lock into place.

When traveling through narrow doorways, reduce the trolley width by holding the side rails inwards.

### Caster Brakes

To lock the positive, toe-operated brakes on the two casters (5), press down the end on each red brake lever until it clicks into position.



Figure 8 - Caster Brakes

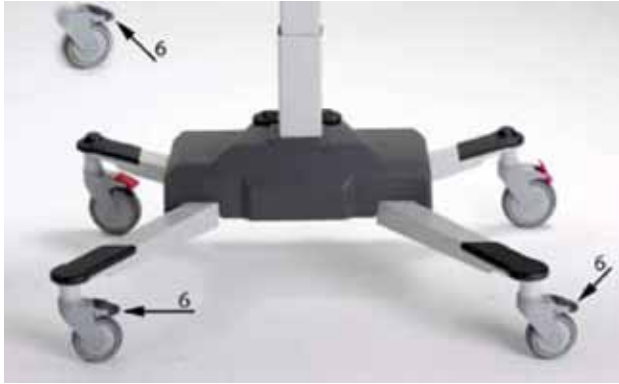
To release, step on the raised part of the red lever.

To increase the stability, also activate the two grey straight steering casters (6).

### Straight Steering Casters

The “transfer side” casters (6) can be locked for straight steering.

Lock the straight steering on “the front” caster facing the direction you are transporting.



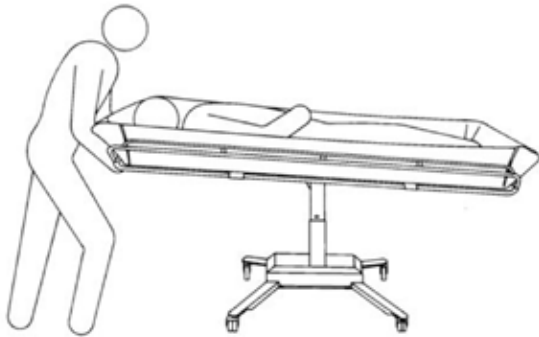
**Figure 9 - Straight Steering Casters**

To lock the straight steering, press down the gray locking lever on caster. Make sure the wheels lock into position.

To release the straight steering, step on the raised gray lever.

#### **Tilting Stretcher**

To drain the trolley mattress, tilt either end of the stretcher by pulling the release handle for end tilt, located under the end supports on the stretcher.



**Figure 10 - Tilting Stretcher**

For leveling, pull handle again while you level the stretcher back to desired position.

**WARNING:** If the patient requires “Trendelenburg” positioning, only qualified staff who understand the procedures may operate the trolley.

#### **Drain Hose**

The flexible drain hose simply fits onto either of the two drain outlets on the mattress.



**Figure 11 - Drain**

Pull out and bend the hose to prevent splashing when using the trolley over a drain.

To reduce water dripping on the floor after use, bend the drain hose nozzle upwards.

#### **Drainage Plug**

The drainage plug for each outlet is fastened with a nylon string on the stretcher frame.

## Patient Handling Procedures

### Patient Transfer from Wheelchair onto Trolley

You can raise or lower the shower trolley to match wheelchair height and thus ease the transfer of wheelchair patients. Two attendants are recommended.

- 1) Tilt the stretcher to a flat position with the release handle and lower side rail.
- 2) Lower the trolley using pedal, or on the battery-operated trolley, use the “down” left arrow symbol for lowering to minimum height.
- 3) Position the shower trolley casters and lock the caster brakes and straight steering.
- 4) Remove the wheelchair armrest and remove or swing the footrest clear on the transfer side.
- 5) Center the wheelchair close to the trolley “operator side” and lock the wheelchair wheels.
- 6) Transfer patient laterally between wheelchair and trolley, supporting patient under arms.

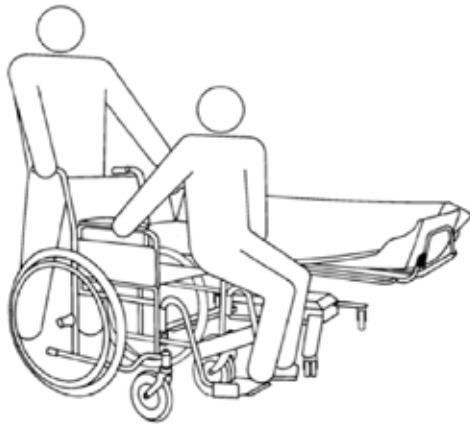


Figure 12 - Transfer from Wheelchair

- 7) Position patient comfortably on stretcher, then raise and lock both side rails. Remove the wheelchair. Raise trolley using pedal, or on the battery-operated trolley, use the “up” right arrow symbol to convenient transport height.



Figure 13 - In Trolley

- 8) Unlock the brakes and activate one straight steering caster when transporting.
- 9) Transport the patient. To return patient to wheelchair from trolley simply reverse steps 1 to 7 in an opposite procedure.

### Patient Transfer from Bed onto Trolley

Follow the recommended procedures. Do not omit any steps. Stay in sequence.

- 1) Make sure the bed guard rail is raised on the side of the bed opposite from the trolley.
- 2) Turn the patient to his/her side, facing away from the trolley.

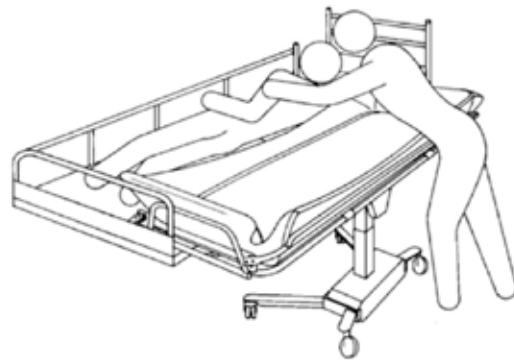
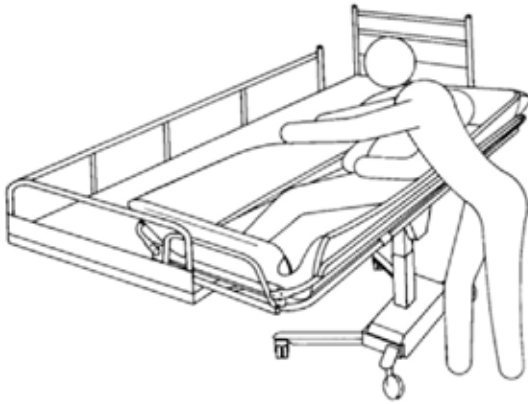


Figure 14 - Turn Patient on Side

- 3) Lower both side rails. The side rail on the transfer side stops horizontally.
- 4) Move the trolley over the bed and lower the stretcher onto the bed mattress using pedal, or on the battery-operated trolley, press the left arrow symbol for lowering. The lowering will automatically stop when the stretcher hits the bed surface.
- 5) Lock the caster brakes.
- 6) Transfer the patient to a comfortable position onto the stretcher mattress.
- 7) Lift and secure both side rails before the trolley is pulled away from the bed.



Figure 15 - Lock Caster Brakes and Transfer



**Figure 16 - Lift and Secure Side Rails**

- 8) Raise the stretcher, using pedal on the hydraulic trolley, or on the battery-operated trolley use the right arrow symbol.
- 9) Unlock the caster brakes and pull the trolley away from the bed.
- 10) Tilt the stretcher to a comfortable angle for the patient and adjust the trolley height to an ergonomic height for transporting. Activate one straight steering caster for easy steering when transporting.

**WARNING: Never leave patient unattended.**

### Showering the Patient

When showering, the patient must remain on the shower trolley stretcher with the side rails securely locked at all times.

Always physically ensure that the water temperature is as desired before and during showering or bathing.

1. Place the shower trolley foot end over a floor drain or sink and attach the drainage hose and drain plug (if desired).
2. Position and brake the casters.



**Figure 17 - Attach Drainage Hose**

3. Tilt the stretcher to provide a comfortable position and to aid drainage by pulling the end tilt release handle under the head end on the stretcher.
4. Shower the patient. Body fluids and feces must immediately be removed to prevent mattress stains.
5. After the patient is showered keep him/her warm wrapped in a bath towel.
6. After showering, thoroughly drain the trolley and replace drain plug and bend the drain hose nozzle upwards to prevent water dripping on the floor.
7. Tilt the stretcher to a comfortable angle for the patient.
8. Adjust the trolley height to an ergonomic height and, if desired, activate the straight steering device for easy steering when transporting.

**WARNING: If the patient requires “Trendelenburg” positioning, only qualified staff who understand the procedures may operate the trolley.**

## Cleaning Shower Trolley

The trolley can be washed thoroughly and easily (see Routine Maintenance).

The stretcher has a removable PVC coated mattress/pillow which must be washed and cleaned after each use.

The mattress and pillow cloth are heat sealed to prevent moisture penetration (see Routine Maintenance).

**WARNING: Never clean the mattress and/or pillow in gas sterilization unit. Mattress and pillow will explode.**

For thorough cleaning, remove the mattress by loosening the straps (17) from the stretcher studs (19) and raise the hinged stretcher. Rinse the stretcher, pillow and mattress thoroughly with the patient shower handle after cleaning.

**NOTE:** Wipe underneath shower trolley to prevent water from dripping on the floor.

### Mattress

The waterproof mattress is fastened to the stretcher with two attachment straps (17) which fit over studs (19) on the stretcher frame.



Figure 18 - Cleaning Shower Trolley

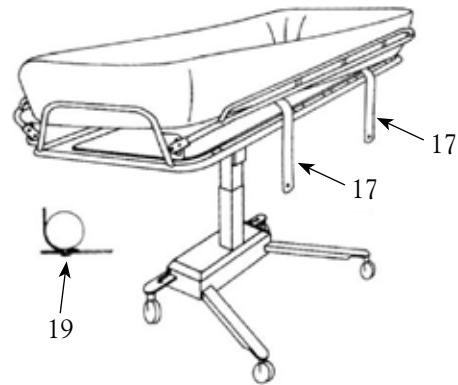


Figure 19 - Shower Trolley Diagram



## Charging Instructions for Battery-Operated EZ 3000

Charge the trolley daily or when the low battery audible tone sounds when pressing the “up” foot control arrow.

- Use only the 24 volt DC battery charger model delivered by EZ Way.
- Insert the battery charger plug into chassis base (21). Make sure that the plug is completely in place. NOTE: Connect the battery charger to the trolley before it is connected to the electrical outlet.
- Plug the battery charger into the electrical outlet.
- When the battery charger is properly connected, an indicator on the battery charger will be lit. If not, recheck the connections.
- The indicator tells the charging cycles; yellow while charging and green when the trolley is ready for use.
- Maximum charging time needed is 8 hours. The trolley can never be overcharged.
- When the charging is completed, disconnect the battery charger from the electrical outlet and then disconnect it from the trolley.
- A flat fuse (15A) is connected between the batteries under the cover.

The chassis cover, attached with velcro, is removed by pulling it straight up on the column, for availability. No tools required.

### Batteries

If changing the lead batteries, deposit in accordance with local regulations.

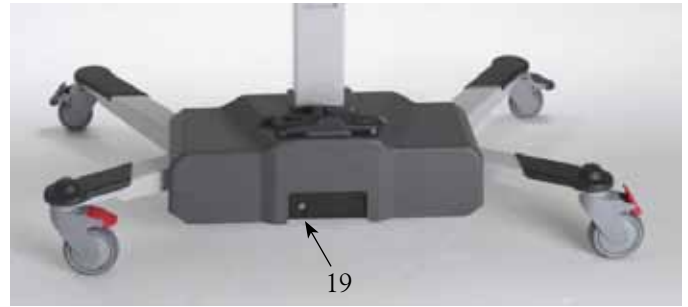


Figure 20 - 3000 Battery Charger Input



Figure 21 - 3000 Battery Charger

## Safety and Control Instructions

If you have a question regarding the operation or maintenance of your shower trolley and cannot find the answer in this manual, please call us.

- Only qualified staff, who understand all operating and safety procedures, may operate the equipment.
- Always physically check water temperature before and during showering.
- The patient must be positioned comfortably on the stretcher mattress, with side rails SECURELY locked.
- Never leave the patient unattended.
- Do not let the patient sit on the short ends of the stretcher.
- Make sure that all parts that come in contact with the patient are intact and without sharp edges.
- Ensure that the trolley can be moved, raised or lowered safely to avoid any pinching injuries to patient.
- Caster brakes must be securely locked on the trolley before transferring a patient and once in position over a drain.
- Operate the trolley carefully when transporting patients through narrow corridors or over irregular, uneven surfaces.
- Wipe under the stretcher to prevent water from dripping on the floor.
- Trolley must be cleaned after each use. Always read and follow detergent supplier instructions.
- Avoid skin or eye contact with detergent, which can be highly corrosive. If contact is made, rinse immediately with excess water. If irritation occurs, consult a medical doctor. Always read and follow detergent supplier instructions.
- Never clean mattress and pillow in gas sterilization unit. Mattress and pillow will explode.
- The EZ Way battery charger is the only one approved for charging the trolley.
- Do not use battery charger in wet or damp area as there is a potential shock hazard.
- It is recommended that the trolley batteries are charged daily or whenever the trolley is not in use. Batteries cannot be overcharged.
- Check that caster brakes and straight steering are clean and free from damage.
- That siderails are in place and free from damage and all screws are tightened.
- Mattress and pillow must be kept well maintained.
- Ensure that the foot pedal on the hydraulic trolley is swung out of the way when not in use.
- The trolley must be inspected visually for sign of wear, and should not be used if defects are noted.

**WARNING:** Do not use the shower trolley in any way that varies from the safety precautions and operating procedures detailed in this manual.

**WARNING:** The equipment must not be operated by anyone until the user has fully read and understands the instructions in this manual.

## Routine Maintenance

The recommended frequency of these maintenance routine procedures will depend on how often the equipment is used.

It is good practice to establish these procedures and then adjust the frequency as your conditions indicate.

### Daily Routine Maintenance

- Clean the trolley, mattress and pillow after each use with a mixed, nonabrasive type of detergent, according to your detergent supplier instructions. NOTE: Do not use solvent based cleaning liquids, which can damage or stain the PVC coating on the mattress and pillow.
- Use a sponge or brush and remove any soap or lime deposits and feces promptly to avoid spots/stains. Rinse thoroughly with fresh water.
- It is recommended that the trolley batteries are charged daily or whenever trolley is not in use. Batteries cannot be overcharged.

**WARNING: Never clean mattress and pillow in gas sterilization unit. Mattress and pillow will explode.**

### Weekly Maintenance

- Visually inspect the shower trolley interior to

make sure there are no nicks or cracks which may scratch the patient.

### Monthly Maintenance

- Check that all screws and fastenings are tight.
- Check the EZ 2000 hydraulic system to ensure its smooth operation throughout entire lift range.

### Annual Maintenance

- To keep the shower trolley running smoothly, we recommend to use silicon-spray or some grease between the two square columns.
- For the EZ 2000, raise the stretcher to its top position and spray or add grease on the stainless steel square tube.
- For the EZ 3000, lower the stretcher to its lowest position. Lift the mattress and the plastic guard. Remove the square lid on top of the column and spray or grease the gap between the two stainless steel square tubes.
- The drive belt on EZ 3000 battery-operated trolley must be inspected visually for signs of wear.
- Trolleys should not be used if defects are noted. Prompt service is required.

### Batteries

When changing the lead batteries, dispose in accordance with local regulations.

---

---

## WARRANTY, CE MARK & TECHNICAL SPECIFICATIONS:

### EZ Way Shower Trolleys 2000/3000

Warranty: EZ Way warrants that its products are free from defects in materials and workmanship for a period of one year from the date of delivery. EZ Way mattresses and pillow of fabric covered PVC over polyester foam shall be warranted for a period of six months from the date of delivery. This warranty is in lieu of any other warranty or representation, expressed or implied. Warranties of MERCHANTABILITY or FITNESS FOR ANY PARTICULAR USE OR PURPOSE are expressly excluded. EZ Way will not be responsible for any expenses, inconvenience or incidental or consequential damages occasioned by the use, loss of use, or misuse of the products, or by the failure of the products to conform to the warranty set forth above. This warranty becomes void if the product shows evidence of mishandling, tampering, installation or use contrary to the applicable instruction materials, shipping damage, or repair. Routine cleaning, adjustment, and normal cosmetic and mechanical wear are not covered by this warranty.



CE mark: Certificate of registration at the LÄKEMEDELSVERKET Medical products agency in Sweden Dnr.452:2008/83584.

Free sales certificate at the LÄKEMEDELSVERKET Medical products agency in Sweden.

#### TECHNICAL SPECIFICATIONS

Length:	63" / 75" / 83"
Width:	27-3/4"
Height:	24-1/2" - 36-1/2" / 27" - 36"
Working Load Limit:	330 lbs.
Chassis:	Powder-coated stainless and zinc-plated steel
Casters:	Two castors with brakes and two with straight steering
Control:	Foot control for height adjustment
Mattress, Pillow	Flame retardant material
Battery (EZ 3000)	Rechargeable, 24 V