

# Instructions for use



# Bure<sup>TM</sup> Walker

Bure XL 56-315

**GATE**

REHAB DEVELOPMENT AB

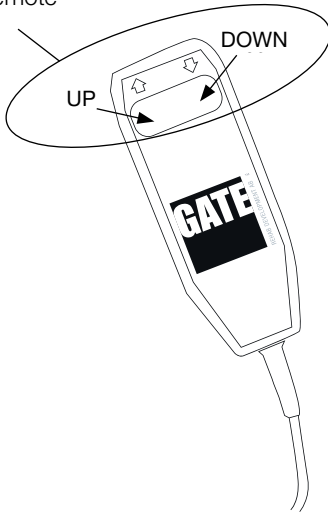
## Dear User,

*Congratulations on obtaining a Bure Walker! These instructions provide important information on how to use the walker and how to maintain it.*

*All of us here at GATE Rehab Development hope you enjoy using your new product. If you have any comments, questions or points of view, please contact us on +46 (0)371 31800.*

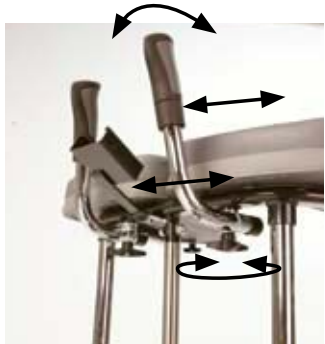
### Raising and lowering the frame

Adjust the height with the aid of the remote control UP and DOWN arrows.



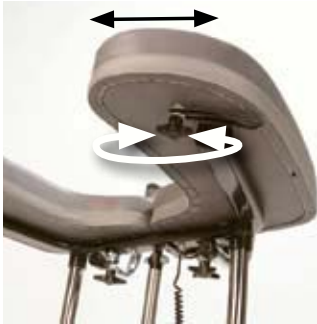
### Adjusting the handles

To adjust handles to the desired position; loosen screw, adjust handle, tighten screw.



## Left and right adjustment of armrests

The armrests can be adjusted sideways for optimal support; loosen screw, adjust armrest, tighten screw.



## Locking castors

Depress the foot brake to set it and lock the castor.

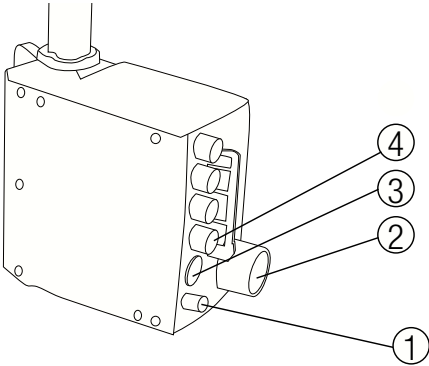


## Unlocking castors

Press down on the protruding part of the brake to release it.



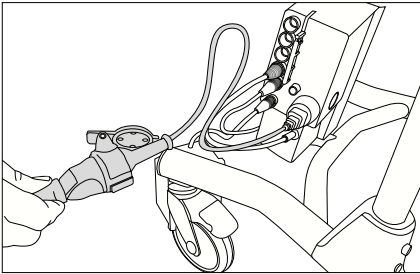
## Control box wiring



1. Battery terminal socket.
2. Plug socket.
3. Remote control socket.
4. Socket for the raise/lower actuator.

**NOTE!** The plug must ALWAYS be connected to the control box for IP protection to be valid.

## Battery charging



Battery charging must take place when the walker is not in use (the battery can never be overcharged). Charging is carried out by inserting the plug in a wall socket.

The battery should be charged at least 24 hours before first time use.



# Maintenance

Recommended at least once per year.

Check that	Action
<b>General</b> The walker feels firm/free from play. The walker does not rattle during manoeuvres. The walker is level and all of its castors are in contact with the floor. The walker is not dirty.	Clean with lukewarm soap solution or alcohol-based cleaning agent (no petroleum products).
<b>Armrests</b> Armrests are intact and clean. Armrest widening is functional.	Clean; replace if damaged. Fit lock screws/plates as required.
<b>Handle</b> Grips are not damaged/dirty. Handle adjustment is functional.	Clean with lukewarm soap solution (no petroleum products). Replace handle grips. Fit lock screws/plates as required.
<b>Height adjustment</b> Raising and lowering are functional. The walker feels stable at maximum settings. There is no play between the vertical frame and bottom frame. Height adjustment clamps lock. The electric actuator fitting must be free from play. Height adjustment via remote control is functional. The electric actuator must run smoothly at a constant speed.	Fit new guide sleeves (in frame) or end plugs (in chrome tubes) as required. Tighten all lock bolts. Replace clamps. Tighten the attachment fitting concerned; replace bolts/lock nuts as necessary. Check that the battery/remote control/actuator are connected in accordance with the wiring diagram. Charge the battery. Contact customer services.
<b>Frame parts</b> There is no mechanical damage. There are no scratches. End plugs/lower frame fitted.	If damage is present, contact GATE's customer services. Touch up as necessary. Fit new end plugs.
<b>Castors/brakes</b> Castors roll easily/tread not damaged. The castors are firmly fastened to the lower frame. Castor brakes functional on all castors. Handbrake functional.	Clean or replace castors. NOTE! Castors are always fixed to the lower frame with thread locker or lock nuts. Do not dismantle the castors; replace the whole castor assembly instead. Tighten the castor bolt and fit locking nut or use thread locker (depends on model). Replace castor assembly. Adjust the brake or fit new castors.

## General maintenance advice

- Clean the walker and its armrests clean as necessary. Wipe using a soap solution/surface disinfectant.
- The product may be cleaned in a tunnel washer or similar as electrical systems have IP65 protection. However, the product is not corrosion proof which means washing by machine may reduce its lifetime.
- Replace damaged parts immediately; must be done by experienced personnel.
- The product is only intended for indoor use.

## Technical specifications

Dimensions apply to walkers with 125 mm castors.

### Bure XL EL

**Part No.**  
56-315

**Width**  
900 mm

**Max user weight**  
240 kg

**Length**  
840 mm

**Height Armrest/Internal dimension**  
870–1270 mm 450–640 mm

**CE** CE marked according to MDD 93/42/EEC.  
Tested and approved according to EN-11199-3/2005



REHAB DEVELOPMENT AB™

YOUR HEALTHCARE PARTNER

Would you like to know more?

Contact us at:  
Tel: +46 371 31800  
Gate Rehab Development AB  
Industrigatan 2 | SE-330 21 Reftele  
info@gaterd.se | www.gaterd.se



GATE COLLECTION