



EZ Way, Inc.

eZ Way Stand Aid With Moveable Legs

*A vital part of fall prevention for the patient
and injury prevention for the caregiver.*

Features

- Moveable base legs for flexibility in accomodating seating surfaces
- Promotes mobility for the patient
- New increased weight capacity of 450 lbs.
- Dual knee pads for security and comfort
- Optional support strap
- Automatic seat locks
- Affordable price points
- Provides a time and cost saving tool for safe, efficient transfers

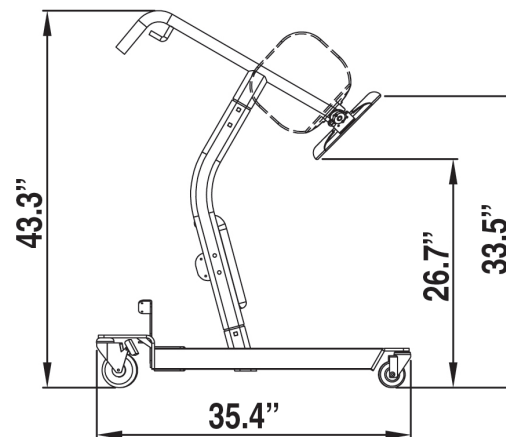
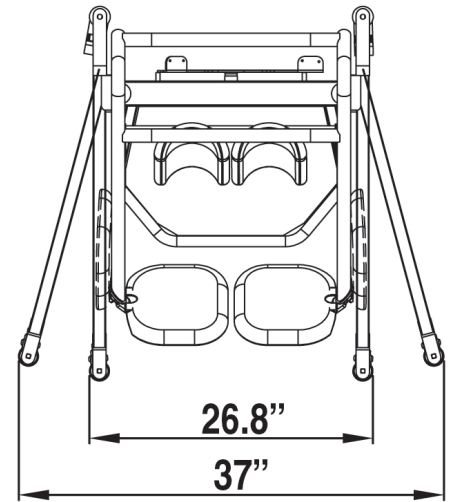
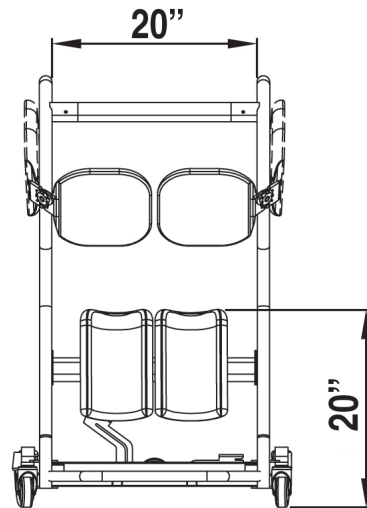


Call 800/627-8940 for a free demonstration!

710 E. Main St. • P.O. Box 89
Clarinda, IA 51632
www.ezlifts.com



Specifications



SPECIFICATIONS	
Capacity:	450 lbs. (205 kg)
Minimum Base Width:	26.8" (68 cm)
Open Base Width:	37"* (94 cm)
Overall Height:	43.3" (110 cm)
Minimum Seat Height:	26.7"* (68 cm)
Seat Width:	20" (51 cm)
Overall Length:	35.4" (90 cm)
Shin Guard/Knee Pads:	Yes
Optional Support Strap:	Yes
Seat Locks:	Yes

* Measured to the outside of each base leg with the base legs in the widest option position.
 ** Measured from the ground to the bottom of the seat.